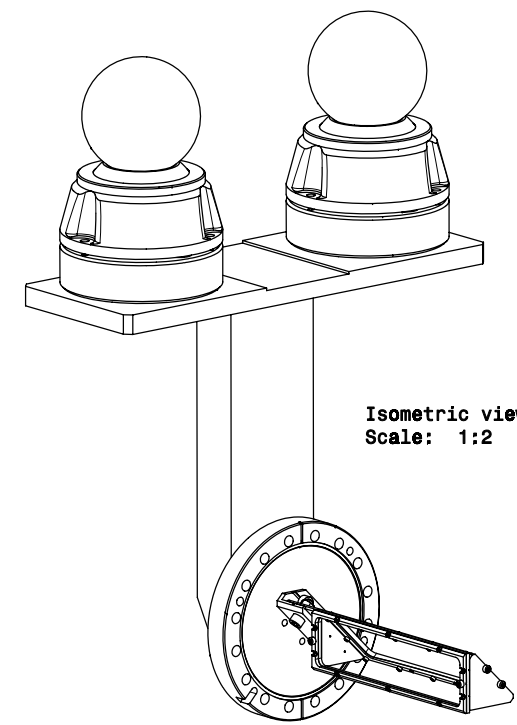
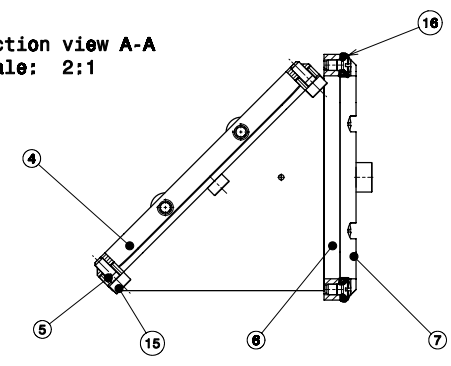
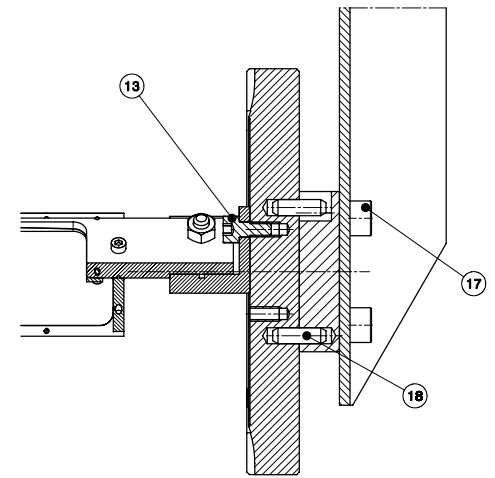
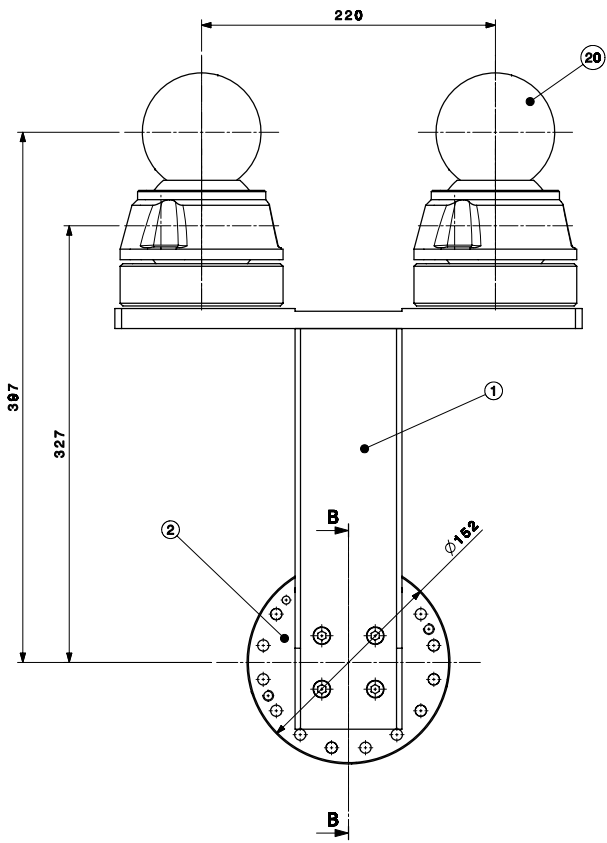


Section view D-D
Scale: 1:1

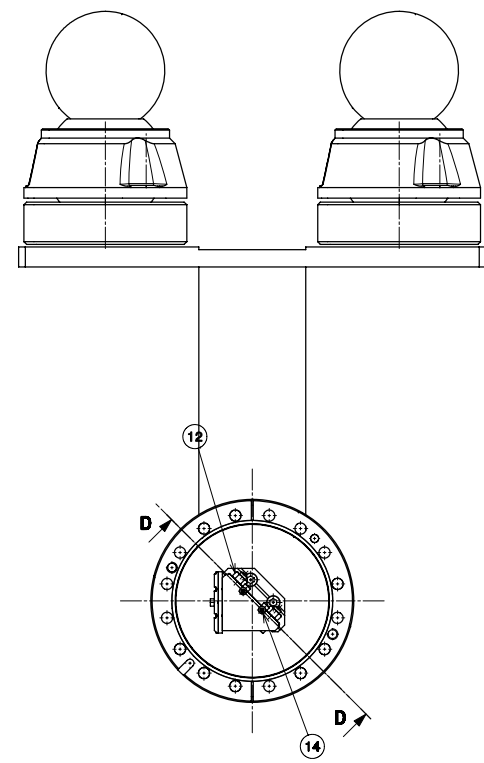
Section view A-A
Scale: 2:1



Isometric view
Scale: 1:2



Section view B-B
Scale: 1:1



REF. NO.	DESCRIPTION	QTY	MAT.	REMARKS	REF. NO.
2	REFERENCE SOCKET ASSEMBLY (INCLUDING SECTION)	20		LHC01MSA0007	
2	RECT. CYL. PIN DIA. 4mm x 16		ST. STEEL	DRILLED DIA. 1	47.74.06
2	SOUP. CYL. RECT. DIA. 4mm x 16		AC. INOX	PERCEE DIA. 1	416.8
2	RECT. CYL. PIN DIA. 6mm x 20		ST. STEEL		47.74.06
2	SOUP. CYL. RECT. DIA. 6mm x 20		AC. INOX		820.4
4	SOCKET HEAD SCREW M8 x 25		St. Steel		47.02.71
10	VIS CHC M8 x 25		INOX		310.4
10	M2x4 SLOTTED FLAT HEAD SCREW		STAINLESS STEEL		47.02.41
10	M2x4 VIS A TETE FENNEE FINAGEE		ACIER INOX		224.8
12	SCREW M2x5		ST. STEEL		47.02.71
8	VIS C Hc M2-5		INOX		045.2
8	Screw CHC M3x10		St. steel		47.02.71
8	VIS CHC M3x10		Ac. Inox		104.8
2	HEX. SKT. HEAD CAP SCREW M8 x 12		ST. STEEL	DRILLED DIA. 1 SCREW	47.02.71
2	VIS CHC M8x12		INOX	VIS PERCEE DIA. 1	255.4
2	NUTS H M8		A4-70		47.43.77
2	ECHOU H M8				080.7
2	HEX. SKT. HEAD CAP SCREW M8 x 16		STAINLESS STEEL		47.02.71
2					256.3
1	REFLECTOR SUPPORT TOOL			CTFBIMTV0044	
1	OUTIL SUPPORT REFLECTEUR			F=1M	
1	END SUPPORT			CTFBIMTV0043	
1	SUPPORT D'EXTREMITE				
1	CENTRAL SUPPORT			CTFBIMTV0042	
1	SUPPORT CENTRAL				
1	SCREEN CLAMP			CTFBIMTV0041	
1	SCREEN SUPPORT			CTFBIMTV0040	
1	SUPPORT ECRAN				
1	REFLECTOR CLAMP			CTFBIMTV0039 / 0040	
1	PINCE REFLECTEUR			F=1M / F=0,5M	
1	REFLECTOR SUPPORT			CTFBIMTV0038	
1	SUPPORT REFLECTEUR			F=1M / F=0,5M	
1	SQUARE			CTFBIMTV0037	
1	EQUERRE				
1	SUPPORT FLANGE			CTFBIMTV0035	
1	BRIDE SUPPORT				
1	REFERENCE SOCKET SUPPORT			CTFBIMTV0054	
1	SUPPORT DE MIRE				

DESCRIPTION	POS	MAT.	OBSERVATIONS	REF. CERN
CTF BIMTV 0058			s. ENG/S. ASS	
CTF BEAM INSTRUMENTATION MONITOR TV				
PARABOLIC SCREEN SUPPORT ASSEMBLY				
SUPPORT ECRAN PARABOLIQUE ENSEMBLE				
REPLACES/REPLACES				

DESIGN: MERRILL, T. LEFAYE
 CONTROLLED: N. ORTIN
 RELEASED: T. LEFAYE
 APPROVED: CTF BIMTV0052
 REF: LHC01MSA0007

REFERENCE SOCKET SUPPORT
 SUPPORT DE MIRE
 REF: LHC01MSA0007