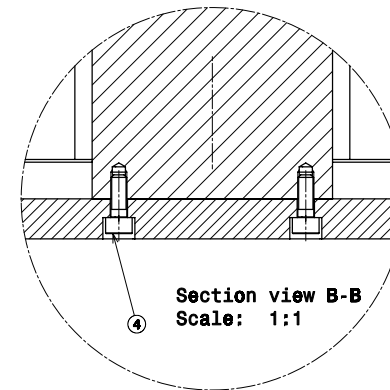
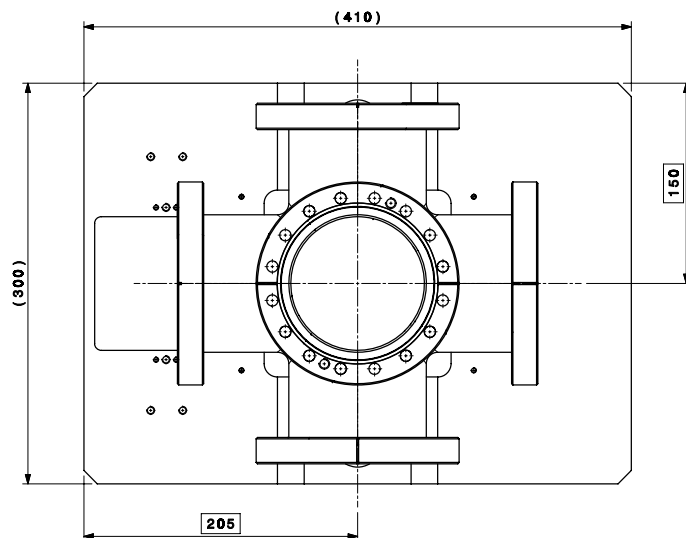
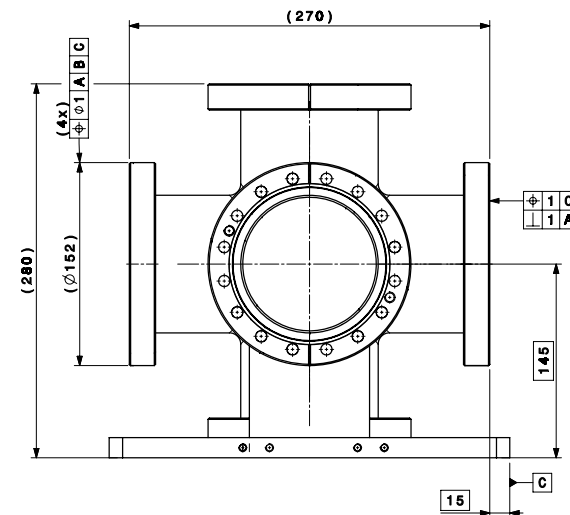
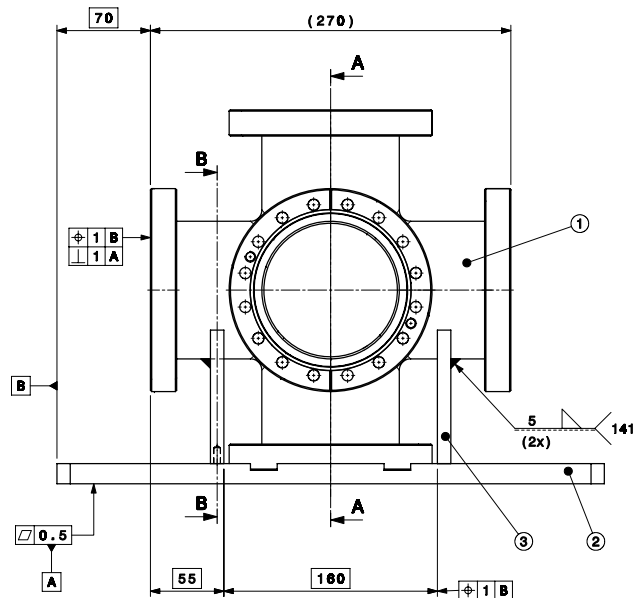


Section view A-A
Scale: 1:2



Section view B-B
Scale: 1:1

** To be specified when ordered:
3 rotatables flanges and 3 fixed flanges

Mass/Poids 14Kg

QTY	DESCRIPTION	POS	MAT.	OBSERVATIONS	REF. CERN
4	SOCKET HEAD SCREW M6x80	4	STEEL		47.62.70
	VIS CHC M6x80	4	ACIER		257.4
2	TANK SUPPORT	3		CTFBIMTV0066	
	SUPPORT TANK				
1	MOBILE PLATE	2		CTFBIMTV0062	
	PLAQUE MOBILE				
1	6-WAYS CROSES DN100 CF	1	316L	CABURN **	
	CROIX 6 VOIES DN100 CF		INOX	EXB-1006 N° 1110133	
DESCRIPTION		POS	MAT.	OBSERVATIONS	REF. CERN
ENB/ASS		CTFBIMTV0065		S.ENB/S.ASS	
CTF BEAM INSTRUMENTATION MONITOR TV					
TL2 MTV				ECHANLE DES/DRA. N. MERMILLOD-BL 2007-08-27	
MTV TANK ASSY				SCALE CONTROLLED N. ORITIN 2007-08-29	
TL2 MTV				RELEASED T. LEFEVRE 2007-08-30	
ENSEMBLE TANK MTV				APPROVED CTFBIMTV0/CTFBIMTV0077	
REPLACE/REPLACES					
RELEASED BY PROJECT ENGINEER		FOR INFORMATION		GAC - CTFBIMTV0077	
				SIZE 1/1	

DOCUMENT PREPARED BY: T. LEFEVRE
 CHECKED BY: N. ORITIN
 APPROVED BY: T. LEFEVRE
 DATE: 2007-08-30