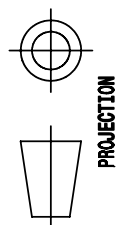


ISO 2768-mK-E
 ISO 13715 $\sqrt{R(0.3)}_{L=0.3}$

Tolerances geometriques,
 lineaires et angulaires
 Aretes de forme non
 definie

TOLERANCES
 GENERALES
 "MOYENNE"

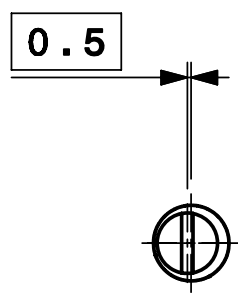
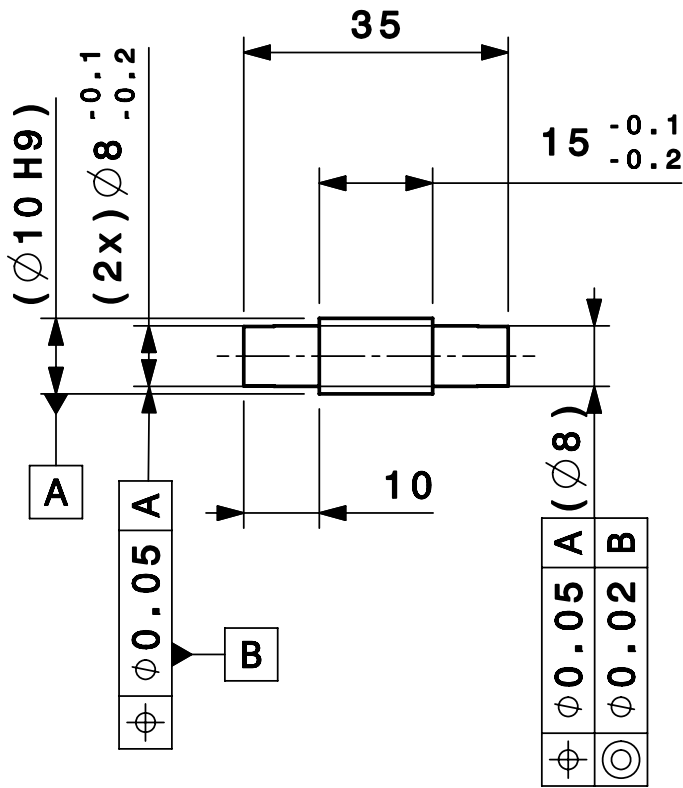
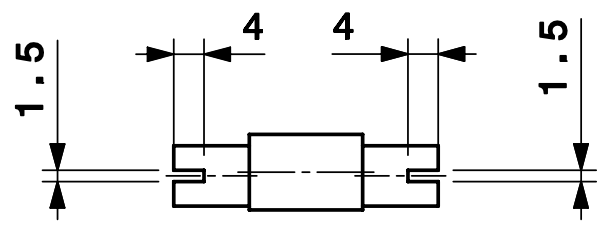
DESSIN, RUGOSITE, TOLERANCES
 SELON NORMES ISO
 DRAWING, RUGOSITY, TOLERANCES
 ACCORDING TO ISO STANDARDS



PROJECTION

ORGANISATION EUROPEENNE POUR
 LA RECHERCHE NUCLEAIRE
 EUROPEAN ORGANIZATION FOR NUCLEAR RESEARCH
 GENEVE

Ce dessin ne peut être utilisé à des fins commerciales sans autorisation écrite
 This drawing may not be used for commercial purposes without written authorisation



Ra 3.2 ✓

QUANT.	1	ROUND BAR DIA. 10	1	115 Cr V 3		44.66.10
		BARRE RONDE DIA. 10		Acier argent		100.6
		DESCRIPTION	POS	MAT.	OBSERVATIONS	REF. CERN
		ENS/ASS	CTFBIMTV0058		S. ENS/S. ASS	CTFBIMTV0078
CTF BEAM INSTRUMENTATION MONITOR TV					ECHELLE SCALE 1:1	DES/DRA. N. MERMILLOD-BLA 2007-07-10
TL2 MTV ECCENTRIQUE TL2 MTV EXCENTRIQUE						CONTROLLED N. CHRITIN 2007-08-27
					APPROVED	
					CTF\BIMTV0\CTFBIMTV0081	
					REPLACE/REPLACES	
CERN	RELEASED BY	FOR	GAC	CTFBIMTV0081		SIZE
	PROJECT ENGINEER	INFORMATION	-			IND.
						4