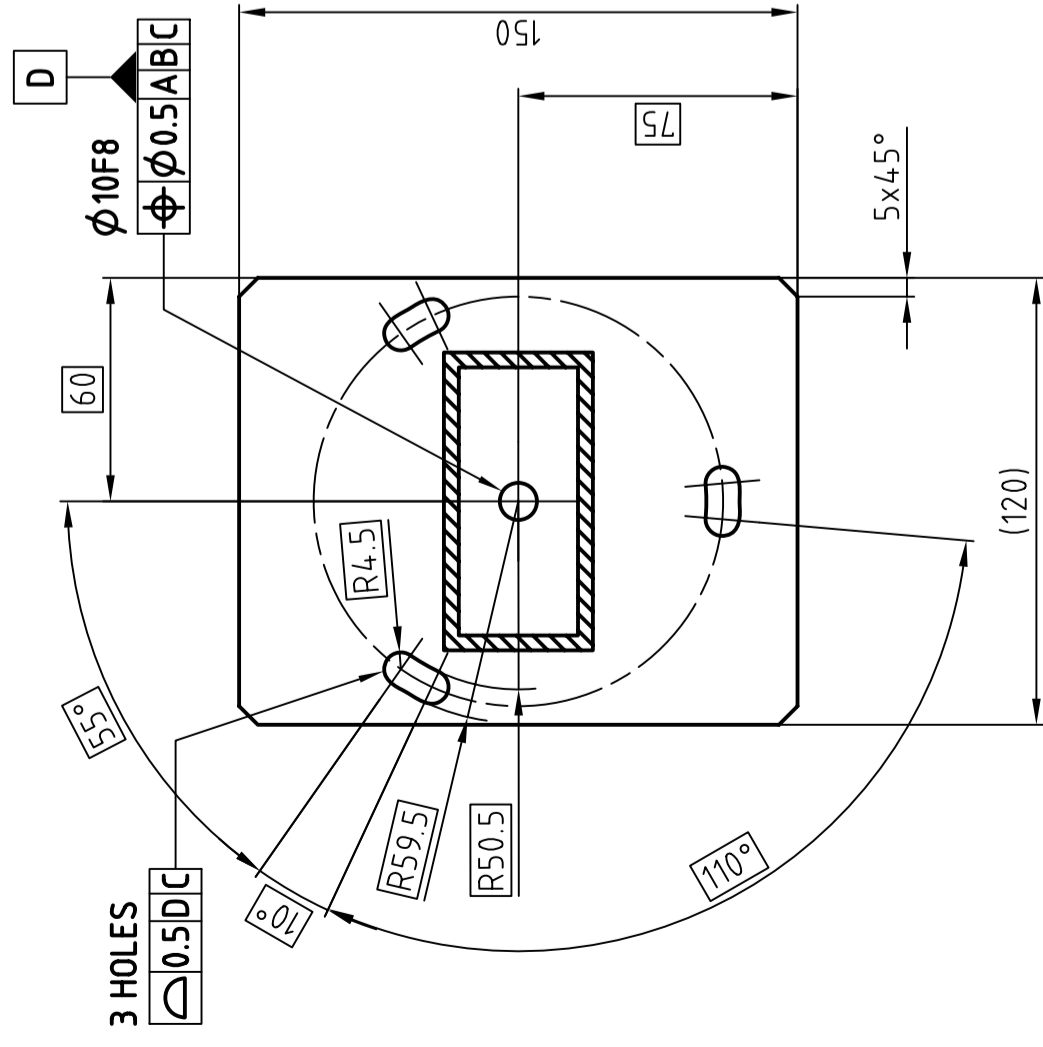
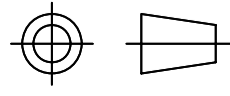


SECTION B-B



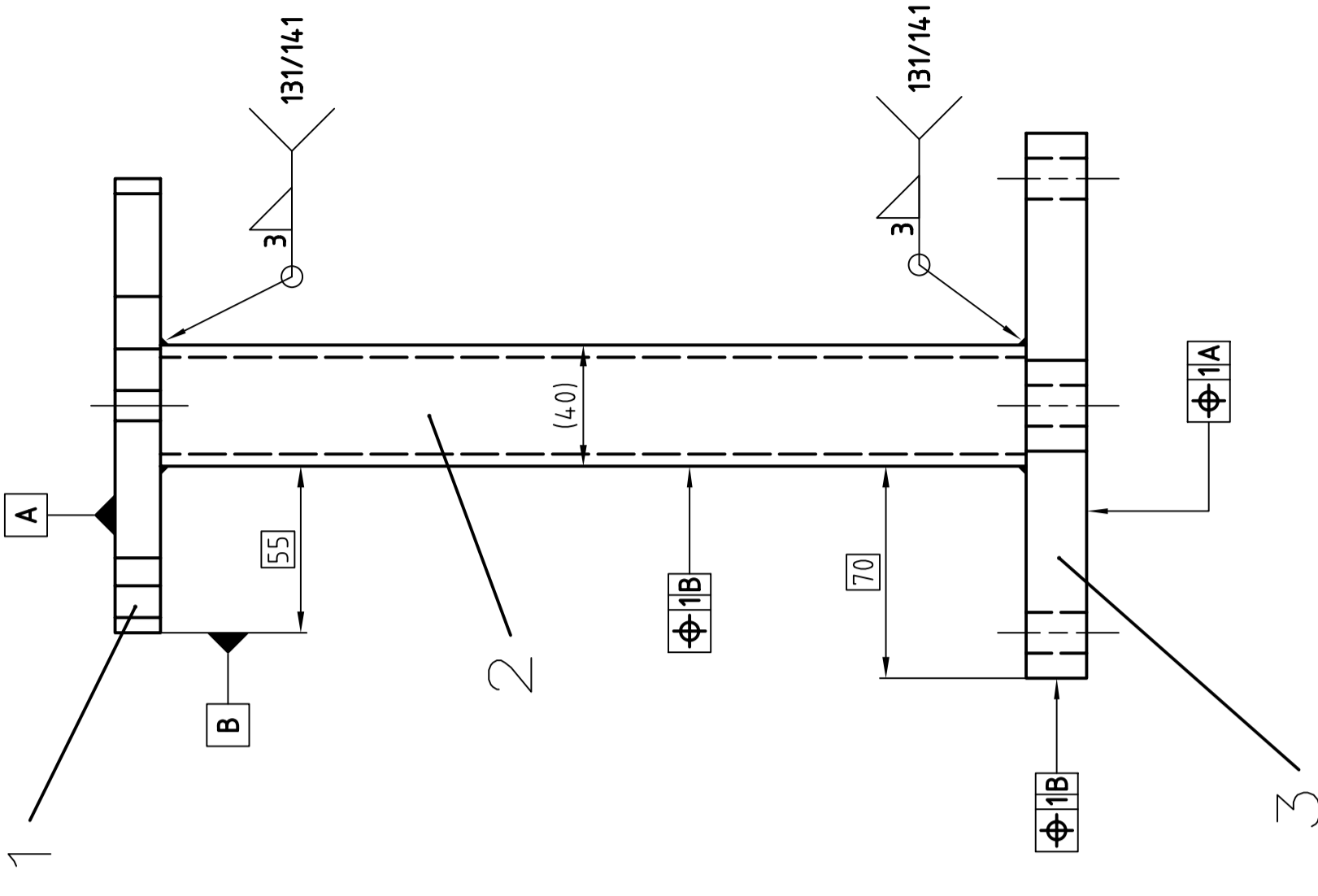
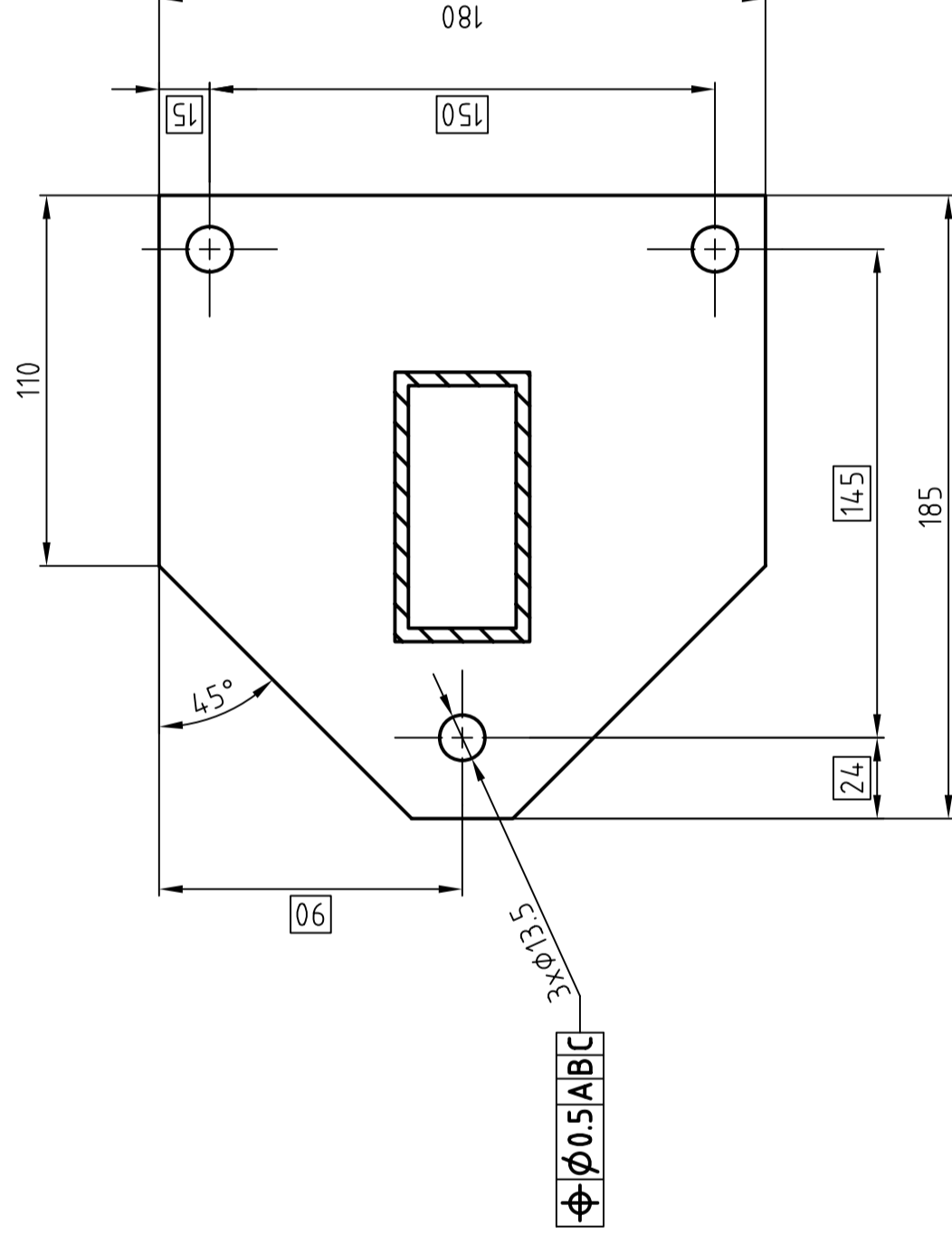
Le dessin ne peut être utilisé à des fins commerciales sans autorisation écrite préalable de l'Organisation Européenne pour la Recherche Nucléaire.
 This drawing may not be used for commercial purposes without written authorisation from the European Organization for Nuclear Research.



ORGANISATION EUROPÉENNE POUR LA RECHERCHE NUCLÉAIRE
 EUROPEAN ORGANIZATION FOR NUCLEAR RESEARCH
 GENEVE

| IND. | DATE | NOM/NOME | ZONE | MODIFICATION |
|------|------|----------|------|--------------|
| | | | | |

SECTION A-A



Masse \approx 3 Kg
 Mass

Ra 3.2

ISO 13715
 ISO 2768-mK

| QNT. | ENS/ASS | DESCRIPTION | POS. | MAT. | OBSERVATIONS | REF. CERN |
|------|--------------|--------------------|------|---------|--------------|-----------|
| 1 | CTFBIPU_0037 | MEPLAT 120x15 | 1 | AW 6082 | 44.02.02 | 190.1 |
| 1 | | TUBE RECT. 80x40x4 | 2 | AW 6082 | 39.64.20 | 028.3 |
| 1 | | TOLE EP. 20 MM | 3 | AW 6082 | 120.8 | 44.02.30 |

| DES/DRA. | N. | DATE |
|------------------|--------------|------------|
| CONTROLLED | N. MERMILLOD | 2006-04-27 |
| RELEASED | | |
| APPROVED | | |
| REPLACE/REPLACES | CTFBIPU_0038 | 038 |

| IND. | DATE | NOM/NOME | ZONE | MODIFICATION |
|------|------|----------|------|--------------|
| | | | | |

CTFBIPU_0038 2