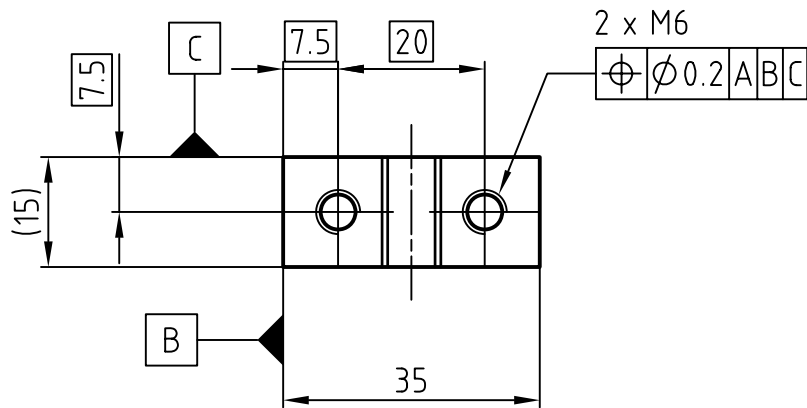
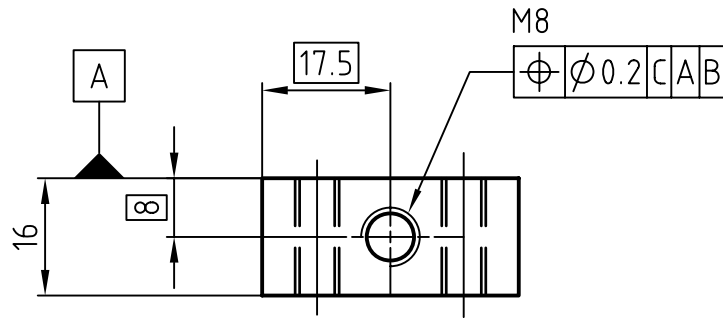
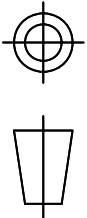


INDICE	DATE	NOM	MODIFICATION
--------	------	-----	--------------



DESSIN, RUGOSITE, TOLERANCES
SELON NORMES ISO
DRAWING, RUGOSITY, TOLERANCES
ACCORDING TO ISO STANDARDS



PROJECTION

ISO 13715
ISO 2768-mK

$\begin{matrix} -0.5 \\ -0.3 \end{matrix}$
 $\begin{matrix} +0.5 \\ +0.3 \end{matrix}$

Ra 3.2

ORGANISATION EUROPEENNE POUR
LA RECHERCHE NUCLEAIRE
EUROPEAN ORGANIZATION FOR NUCLEAR RESEARCH
GENEVE

Ce dessin ne peut être utilisé à des fins commerciales sans autorisation écrite.
This drawing may not be used for commercial purposes without written authorisation

1	FLAT BAR 15x20	1	S235JR	44.39.02			
	MEPLAT 15x20			156.0			
QUANT.	DESCRIPTION	POS	MAT.	OBSERVATIONS	REF.CERN		
	ENS/ASS	CTFBIPUR0001	S.ENS/S.ASS				
Beam Instrumentation for the Rings - Inductive Pick up Retangular			ECHELLE SCALE 1:1	DES/DRA.	N. MERMILLOD	2006-03-08	
BPI SUPPORT ADJUSTING BLOCK SUPPORT BPI BLOC DE REGLAGE				CONTROLLED			
				RELEASED			
				APPROVED			
				CTF\BIPUR0\BIPUR009			
				REPLACE/REPLACES			
	NON VALABLE POUR EXECUTION NOT VALID FOR EXECUTION		QAC -	CTFBIPUR0009		SIZE 4	IND. IND.