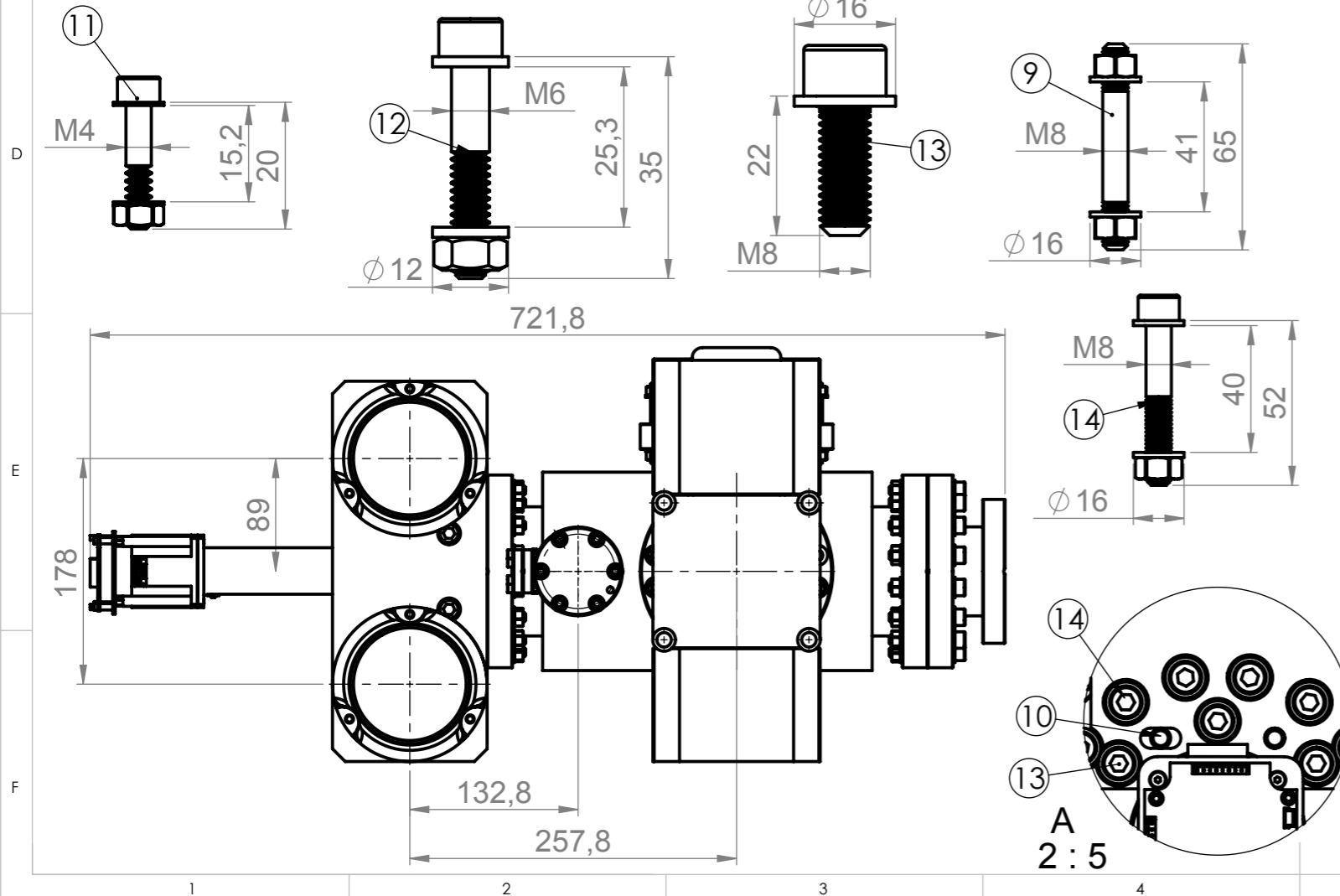
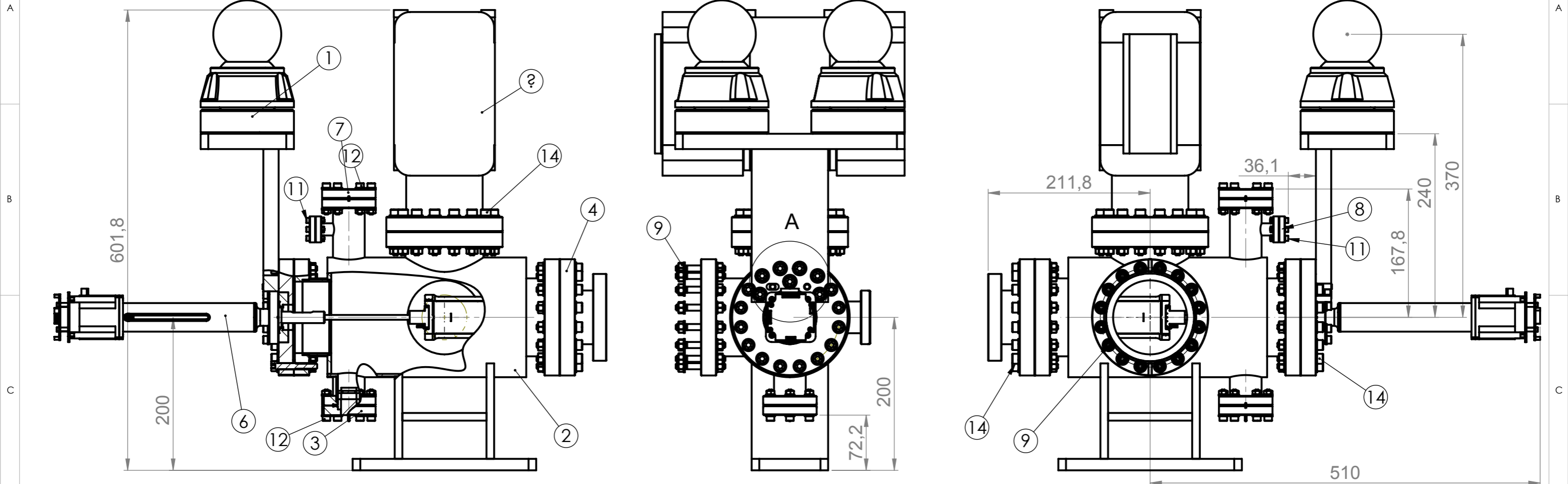


This document must not be copied without our written permission, and the contents thereof must not be imparted to a third party nor be used for any unauthorized purpose. Contravention will be prosecuted.



ITEM NO.	QTY.	DESCRIPTION	Material	Drw / Art nr.
1	1	Collimator Ref. Socket. Assm.	-	0038 - 1160
2	1	Collimator Chamber	316L	Vaqtec S2-CF-5070
3	1	Collimator Feedthrough	-	Caburn 921001
4	1	DN100CF to DN63CF Flange Adaptor	-	0038 - 1170
5	1	DN100CF Ion Pump	-	-
6	1	Collimator Manipulator Assm.	-	0038 - 1120
7	1	DN63CF Blank Flange	316L	Vaqtec 2-CF-0056
8	1	DN16CF Blank Flange	A4	Vaqtec 2-CF-0001
9	16	M8 x 65, 2xM8 Nut	A4	0038 - 1100
10	2	Ø 8 x 25 Dowel pin	A4	-
11	6	M4 x 20	A4	0038 - 1100
12	12	M6 x 35	A4	0038 - 1100
13	3	M8 x 22	A4	0038 - 1100
14	48	M8 x 52	A4	0038 - 1100

DRAWN BY <b>M.Noor</b>	CHECKED <b>N.J</b>	APPROVED <b>-</b>	OWNER <b>R.Ruber / M.Jacwicz</b>	PROJ. TYPE <b>DEBUR AND BREAK SHARP EDGES</b>	DO NOT SCALE DRAWING
				TOLERANCES ISO-2768-m ROUGHNESS	
				PROJECT <b>CLIC / CTF 3</b> TITLE <b>COLLIMATOR MAIN ASSEMBLY</b>	
SCALE 1:5	DRAWING NO. <b>0038 - 1100</b>	REVISION <b>A</b>	RELEASE DATE 20.01.14	SHEET 1 of 1	SIZE A3