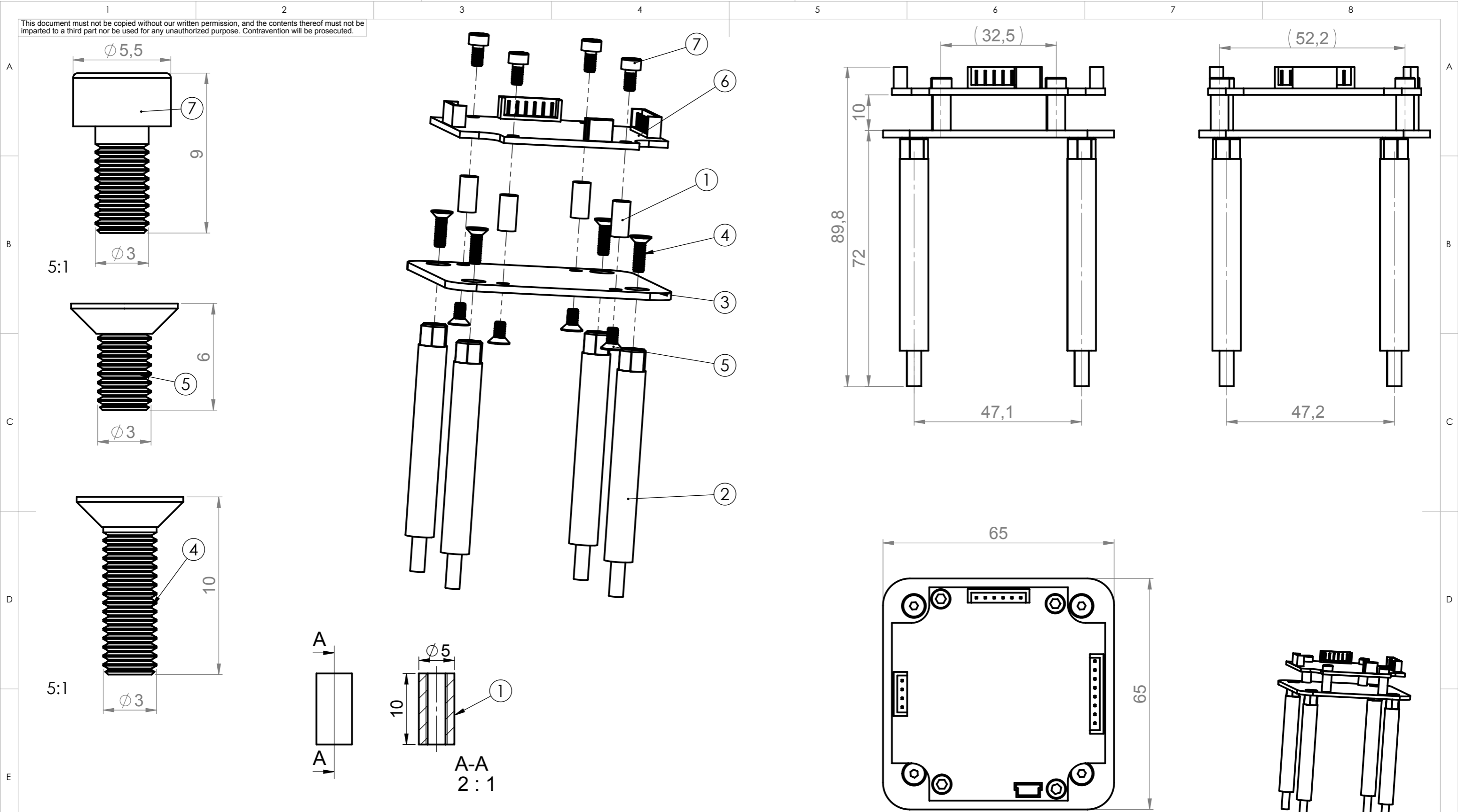


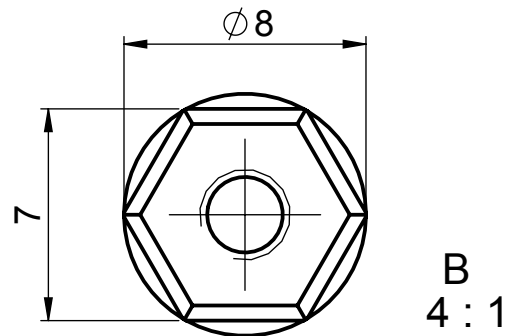
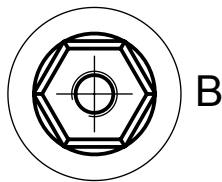
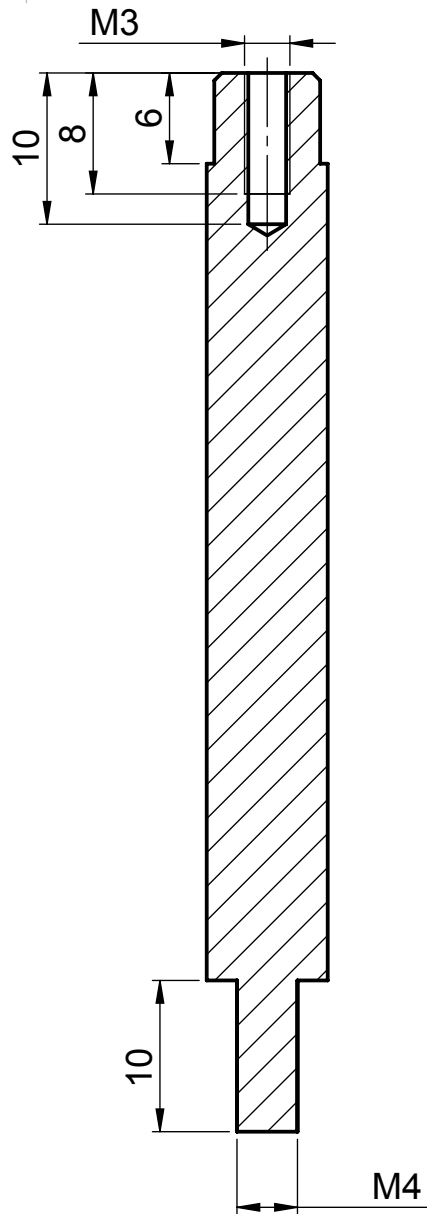
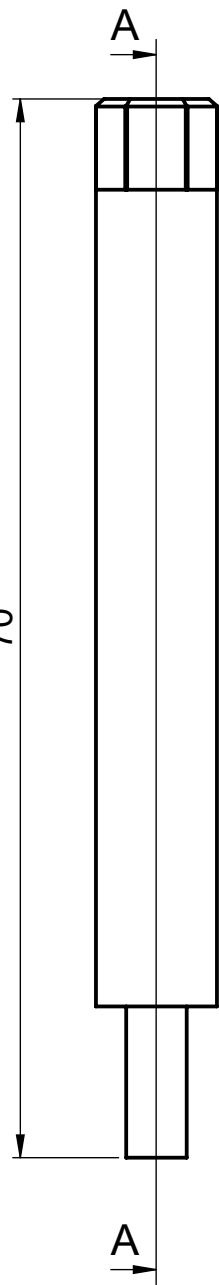
This document must not be copied without our written permission, and the contents thereof must not be imparted to a third part nor be used for any unauthorized purpose. Contravention will be prosecuted.



ITEM NO.	QTY.	DESCRIPTION	Drw / Art Nr.	Material
1	4	Stepper Motor isolator	0038 - 1130	PTFE
2	4	Controller Lower Support	0038 - 1131	-
3	1	Controller Main Support	0038 - 1132	-
4	4	M3 x 10	0038 - 1130	A4 Stainless Steel
5	4	M3 x 6	0038 - 1130	A4 Stainless Steel
6	1	Stepper Motor Controller	ELFA 54-220-04	-
7	4	M3 x 9	0038 - 1130	A4 Stainless Steel

DRAWN BY	CHECKED	APPROVED	OWNER	PROJ. TYPE	DEBUR AND BREAK SHARP EDGES	DO NOT SCALE DRAWING
M.Noor	N.J		R.Ruber / M.Jacewicz			
TOLERANCES		PROJECT				
ISO-2768-m		Uppsala / CLIC X-Band Spectrometer				
ROUGHNESS		TITLE				
Ra 3.2		<b>STEPPER MOTOR ASSM.</b>				
SCALE	DRAWING NO.	REVISION	RELEASE DATE	SHEET	SIZE	
1:1	<b>0038 - 1130</b>	<b>A</b>	20.01.14	1 of 3	A3	





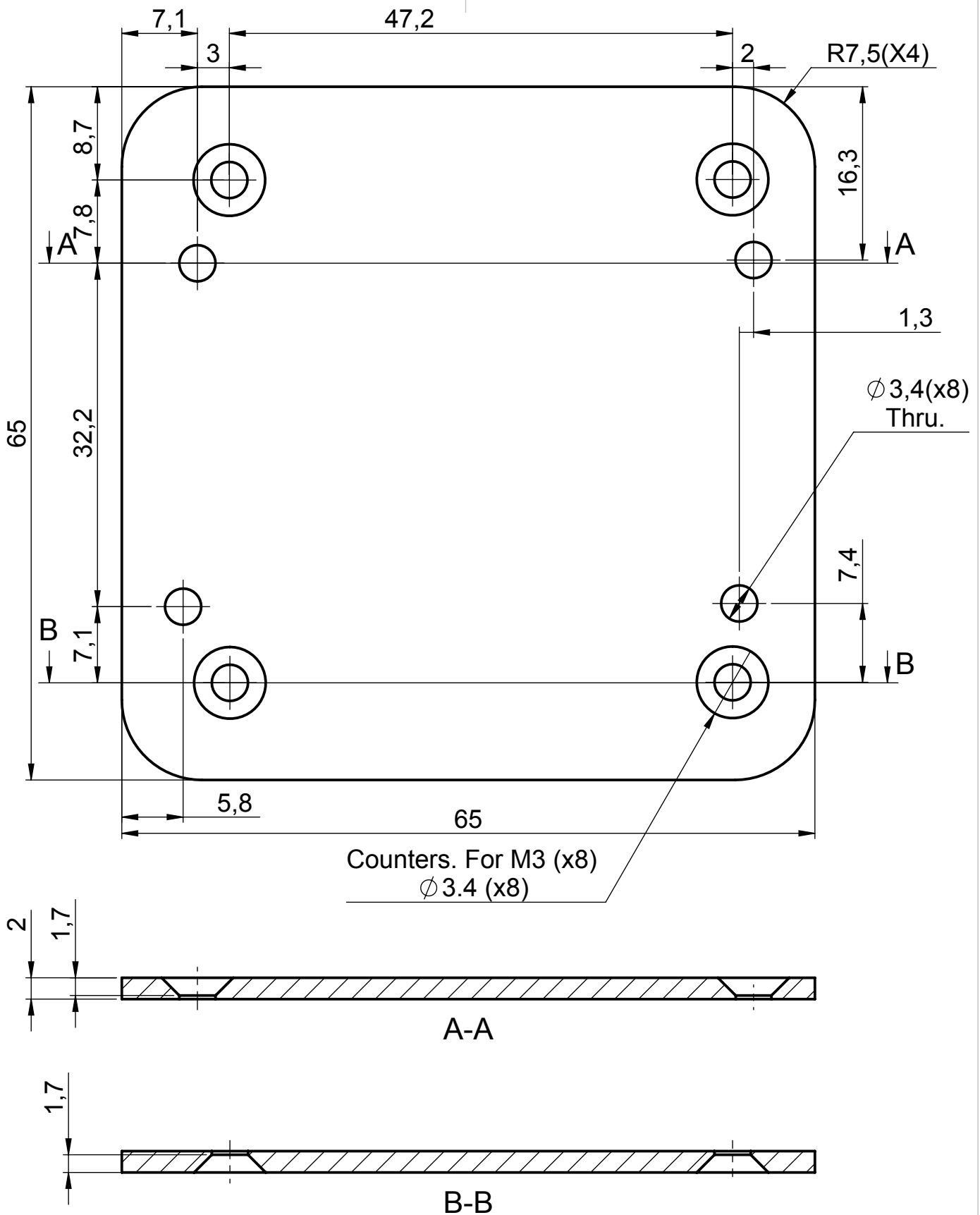
ITEM NO.	QTY.	DESCRIPTION	Material
1	1	Controller Lower Support	SS - 2343

DRAWN BY	CHECKED	APPROVED	OWNER	PROJ. TYPE	DEBUR AND BREAK SHARP EDGES	DO NOT SCALE DRAWING
M.Noor	N.J		R.Ruber / M.Jacewicz		DEBUR AND BREAK SHARP EDGES	DO NOT SCALE DRAWING

	TOLERANCES	PROJECT				
	ISO-2768-m	Uppsala / CLIC X-Band Spectrometer				
	ROUGHNESS	TITLE				
	Ra 3.2	<b>STEPPER MOTOR CONTROLLER SUPPORT</b>				
SCALE	DRAWING NO.	REVISION	RELEASE DATE	SHEET	SIZE	
2:1	0038-1131	A	15.01.14	2 of 3	A4	

This document must not be copied without our written permission, and the contents thereof must not be imparted to a third party nor be used for any unauthorized purpose. Contravention will be prosecuted.

This document must not be copied without our written permission, and the contents thereof must not be imparted to a third party nor be used for any unauthorized purpose. Contravention will be prosecuted.



ITEM NO.	QTY.	DESCRIPTION	Material
1	1	Controller Lower Support	SS - 2343

DRAWN BY <b>M.Noor</b>	CHECKED <b>N.J</b>	APPROVED <b>R.Ruber / M.Jacewicz</b>	OWNER <b>R.Ruber / M.Jacewicz</b>	PROJ. TYPE 	DEBUR AND BREAK SHARP EDGES	DO NOT SCALE DRAWING
---------------------------	-----------------------	---	--------------------------------------	----------------	-----------------------------	----------------------

UPPSALA UNIVERSITET Kungström Verkstad	TOLERANCES	PROJECT				
	ISO-2768-m	Uppsala / CLIC X-Band Spectrometer				
	ROUGHNESS	TITLE				
	<b>Ra 3.2</b>	<b>CONTROLLER MAIN SUPPORT</b>				
SCALE	DRAWING NO.	REVISION	RELEASE DATE	SHEET	SIZE	
<b>2:1</b>	<b>0038-1132</b>	<b>A</b>	14.01.14	3 of 3	A4	