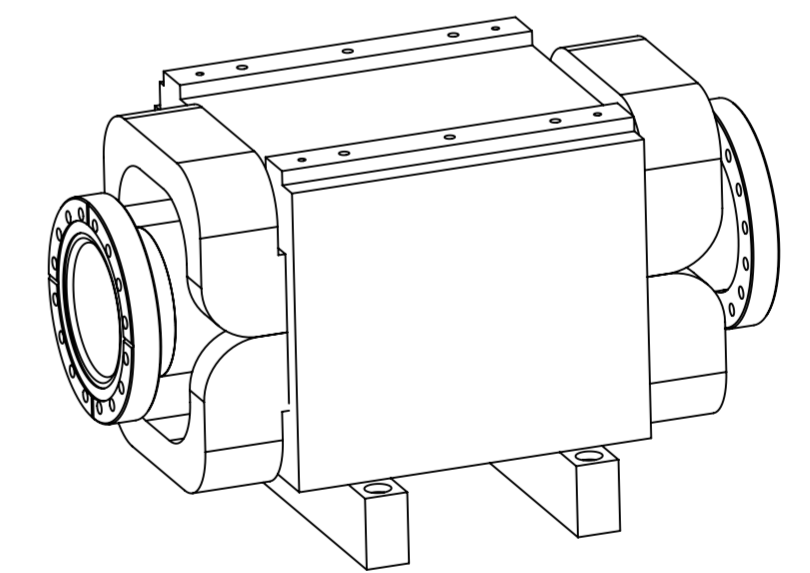



A-A



ITEM NO.	QTY.	DESCRIPTION	DRW NR
1	1	DN100CF VACUUM CHAMBER	DRW 0038-1310
2	1	DIPOL MAGNET	Type 8AF

DRAWN BY	CHECKED	APPROVED	OWNER	PROJ. TYPE	DEBUR AND BREAK SHARP EDGES	DO NOT SCALE DRAWING
M.NOOR	-		R.Ruber / M.Jacewicz			

 UPPSALA UNIVERSITET	CAI CENTER FOR ACCELERATOR AND INSTRUMENT DEVELOPMENT	TOLERANCES	PROJECT
		ROUGHNESS	TITLE
SCALE	DRAWING NO.	REVISION	RELEASE DATE
1:2	0038-1300	A	15.1.14