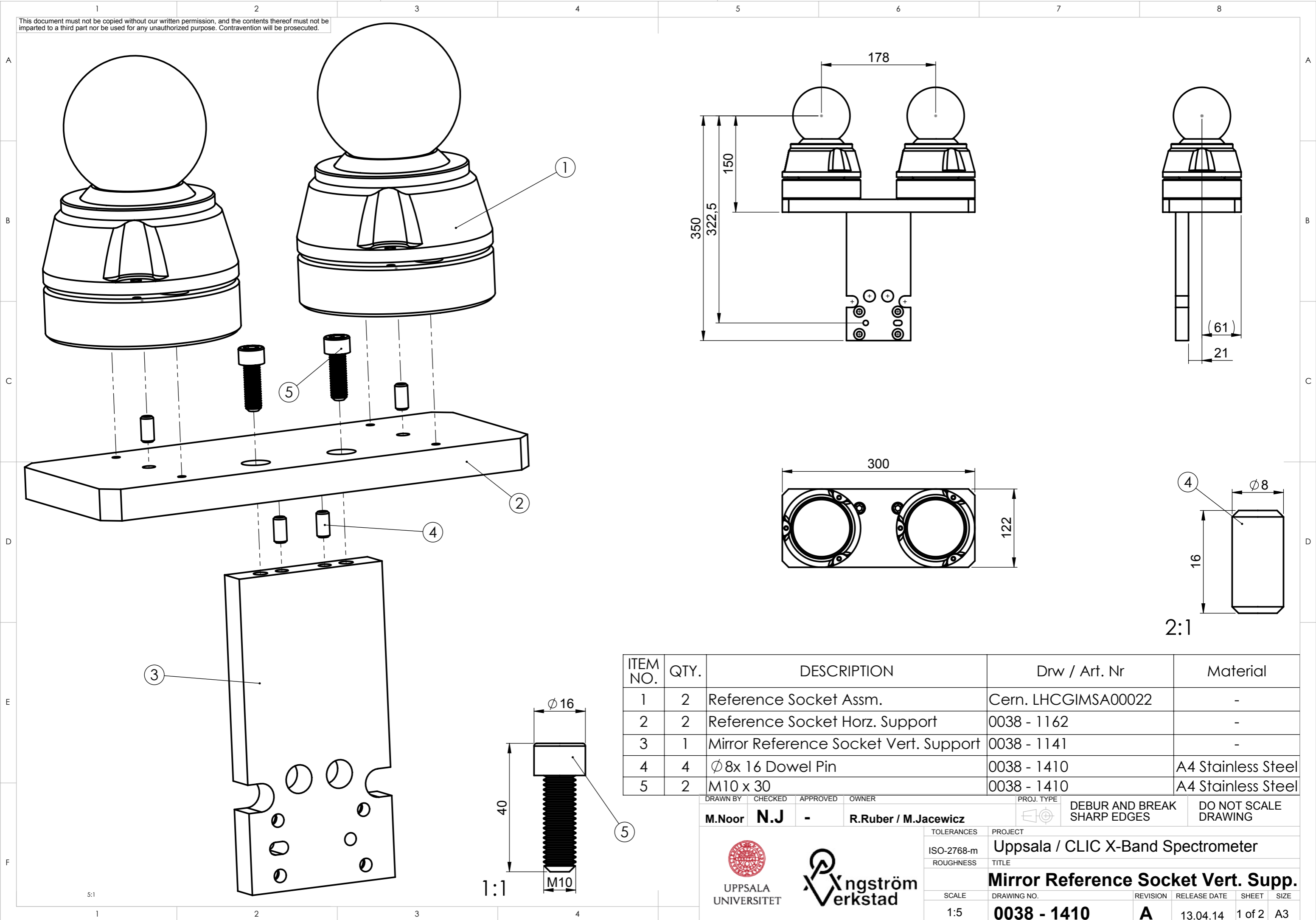


This document must not be copied without our written permission, and the contents thereof must not be imparted to a third part nor be used for any unauthorized purpose. Contravention will be prosecuted.



ITEM NO.	QTY.	DESCRIPTION	Drw / Art. Nr	Material
1	2	Reference Socket Assm.	Cern. LHCGIMSA00022	-
2	2	Reference Socket Horz. Support	0038 - 1162	-
3	1	Mirror Reference Socket Vert. Support	0038 - 1141	-
4	4	∅8x 16 Dowel Pin	0038 - 1410	A4 Stainless Steel
5	2	M10 x 30	0038 - 1410	A4 Stainless Steel

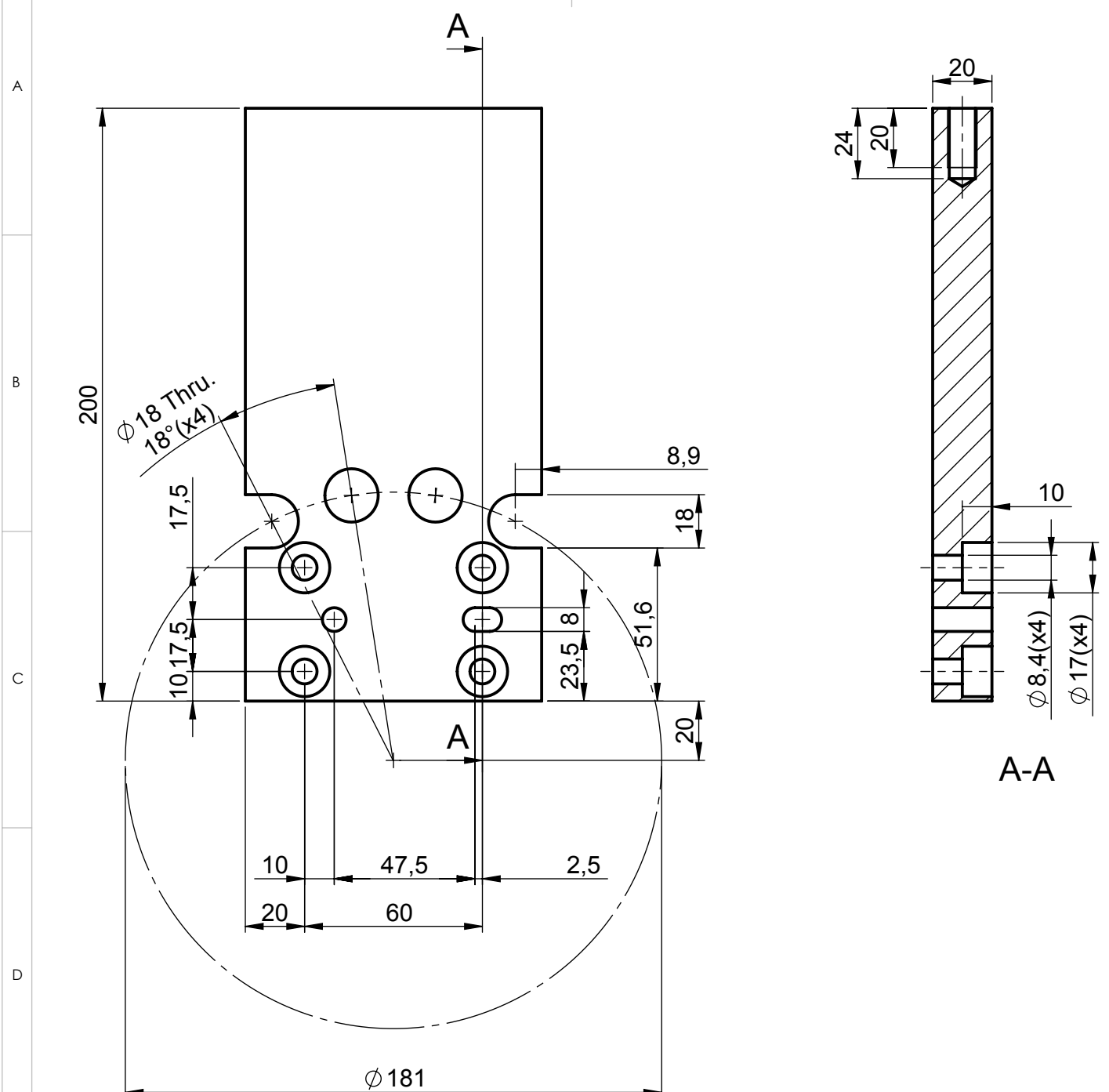
DRAWN BY	CHECKED	APPROVED	OWNER	PROJ. TYPE	DEBUR AND BREAK SHARP EDGES	DO NOT SCALE DRAWING
M.Noor	N.J	-	R.Ruber / M.Jacewicz			
TOLERANCES		PROJECT				
ISO-2768-m		Uppsala / CLIC X-Band Spectrometer				
ROUGHNESS		TITLE				
		Mirror Reference Socket Vert. Supp.				
SCALE	DRAWING NO.	REVISION	RELEASE DATE	SHEET	SIZE	
1:5	0038 - 1410	A	13.04.14	1 of 2	A3	



5:1

1:1

2:1



A-A

This document must not be copied without our written permission, and the contents thereof must not be imparted to a third party nor be used for any unauthorized purpose. Contravention will be prosecuted.

ITEM NO.	QTY.	DESCRIPTION	Material
1	1	Mirror Reference Socket Vert. Support	Al - 4212

DRAWN BY M.Noor	CHECKED N.J	APPROVED -	OWNER R.Ruber / M.Jacewicz	PROJ. TYPE 	DEBUR AND BREAK SHARP EDGES	DO NOT SCALE DRAWING
---------------------------	-----------------------	----------------------	--------------------------------------	----------------	-----------------------------	----------------------

 UPPSALA UNIVERSITET	 Ingström Verkstad	TOLERANCES	PROJECT				
		ISO-2768-mK	Uppsala / CLIC X-Band Spectrometer				
		Ra 3.2	TITLE				
		SCALE	DRAWING NO.		REVISION	RELEASE DATE	SHEET
1:2	0038-1411		A	14.01.14	2 of 2	A4	