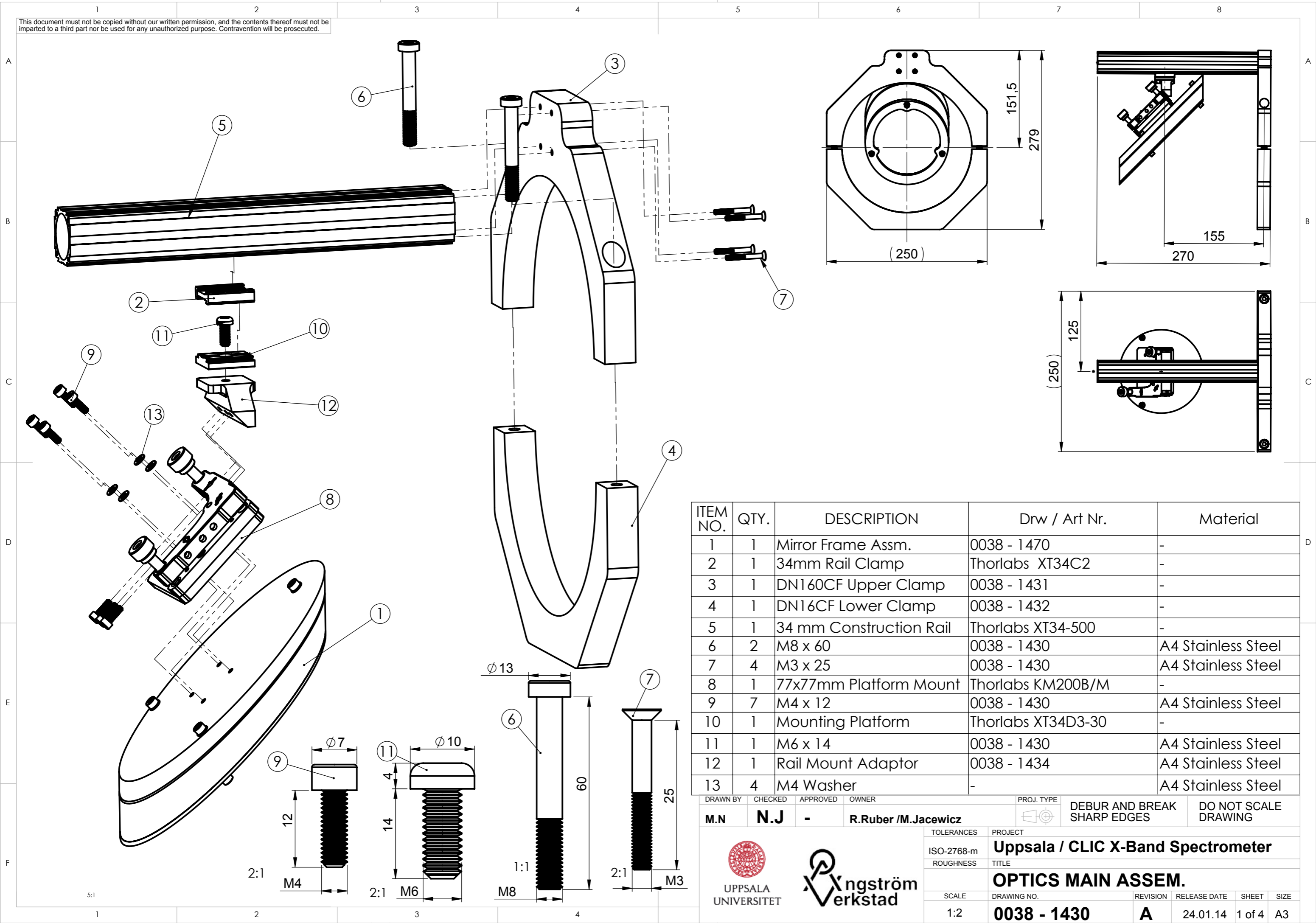


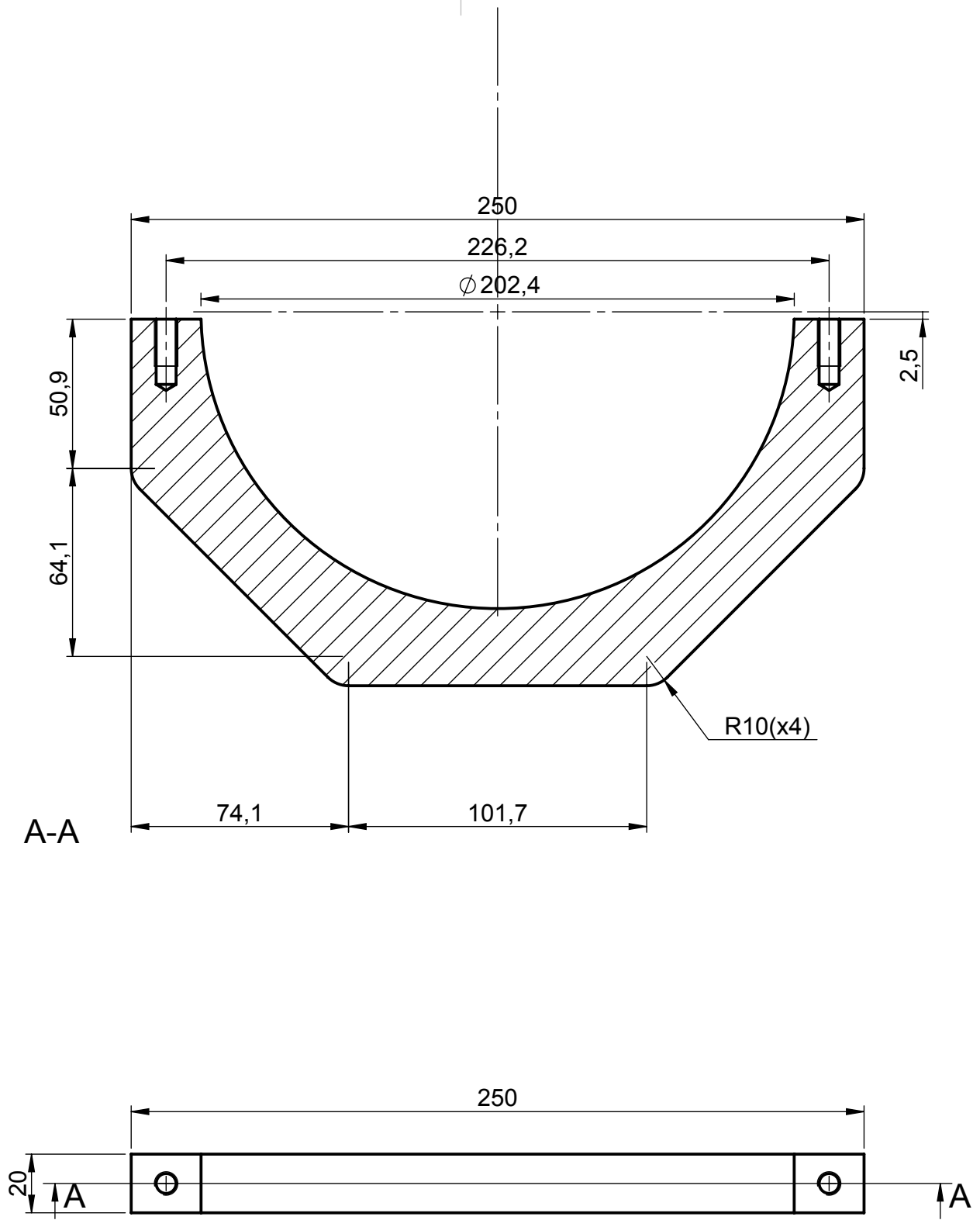
This document must not be copied without our written permission, and the contents thereof must not be imparted to a third part nor be used for any unauthorized purpose. Contravention will be prosecuted.



ITEM NO.	QTY.	DESCRIPTION	Drw / Art Nr.	Material
1	1	Mirror Frame Asm.	0038 - 1470	-
2	1	34mm Rail Clamp	Thorlabs XT34C2	-
3	1	DN160CF Upper Clamp	0038 - 1431	-
4	1	DN16CF Lower Clamp	0038 - 1432	-
5	1	34 mm Construction Rail	Thorlabs XT34-500	-
6	2	M8 x 60	0038 - 1430	A4 Stainless Steel
7	4	M3 x 25	0038 - 1430	A4 Stainless Steel
8	1	77x77mm Platform Mount	Thorlabs KM200B/M	-
9	7	M4 x 12	0038 - 1430	A4 Stainless Steel
10	1	Mounting Platform	Thorlabs XT34D3-30	-
11	1	M6 x 14	0038 - 1430	A4 Stainless Steel
12	1	Rail Mount Adaptor	0038 - 1434	A4 Stainless Steel
13	4	M4 Washer	-	A4 Stainless Steel

DRAWN BY	CHECKED	APPROVED	OWNER	PROJ. TYPE	DEBUR AND BREAK SHARP EDGES	DO NOT SCALE DRAWING
M.N	N.J	-	R.Ruber / M.Jacewicz			
TOLERANCES		PROJECT				
ISO-2768-m		Uppsala / CLIC X-Band Spectrometer				
ROUGHNESS		TITLE				
		OPTICS MAIN ASSEM.				
SCALE	DRAWING NO.	REVISION	RELEASE DATE	SHEET	SIZE	
1:2	0038 - 1430	A	24.01.14	1 of 4	A3	





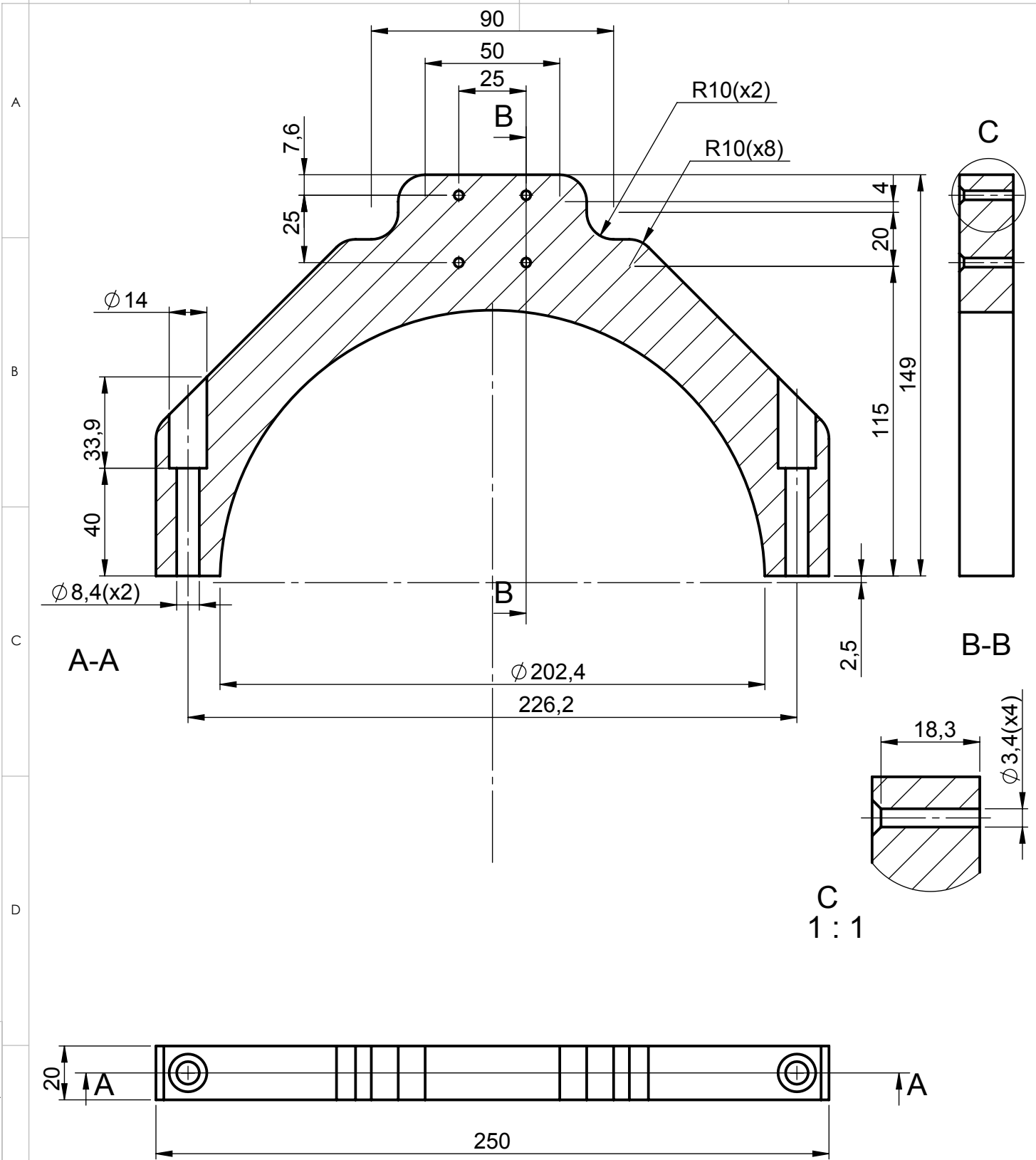
This document must not be copied without our written permission, and the contents thereof must not be imparted to a third party nor be used for any unauthorized purpose. Contravention will be prosecuted.

ITEM NO.	QTY.	DESCRIPTION	Material
1	1	DN16CF Lower Clamp	Al-4212

DRAWN BY M.Noor	CHECKED N.J	APPROVED -	OWNER R.Ruber / M.Jacewicz	PROJ. TYPE 	DEBUR AND BREAK SHARP EDGES	DO NOT SCALE DRAWING
---------------------------	-----------------------	----------------------	--------------------------------------	----------------	-----------------------------	----------------------

 UPPSALA UNIVERSITET	 Kjellbergström Verkstad	TOLERANCES	PROJECT			
		ISO-2768-mK	Uppsala / CLIC X-Band Spectrometer			
		ROUGHNESS	TITLE			
		Ra 3.2	DN160CF UPPER CLAMP			
SCALE	DRAWING NO.	REVISION	RELEASE DATE	SHEET	SIZE	
1:2	0038 - 1431	A	03.02.14	2 of 4	A4	

This document must not be copied without our written permission, and the contents thereof must not be imparted to a third party nor be used for any unauthorized purpose. Contravention will be prosecuted.

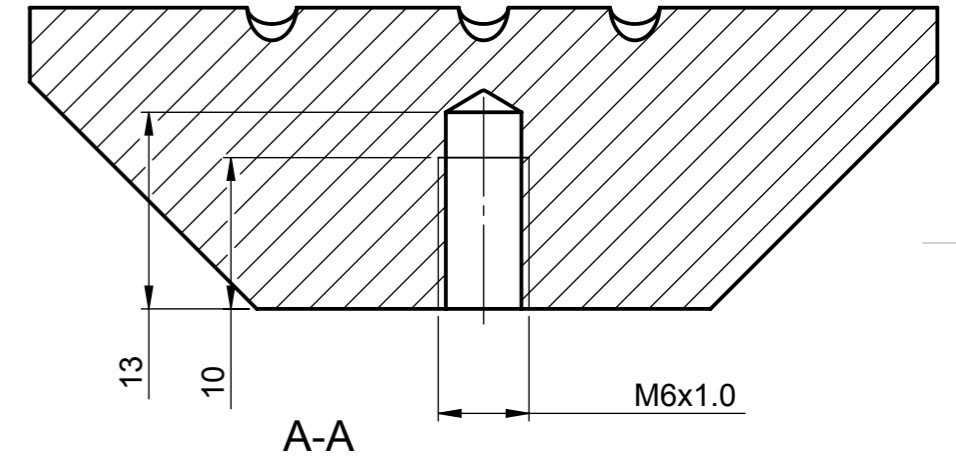
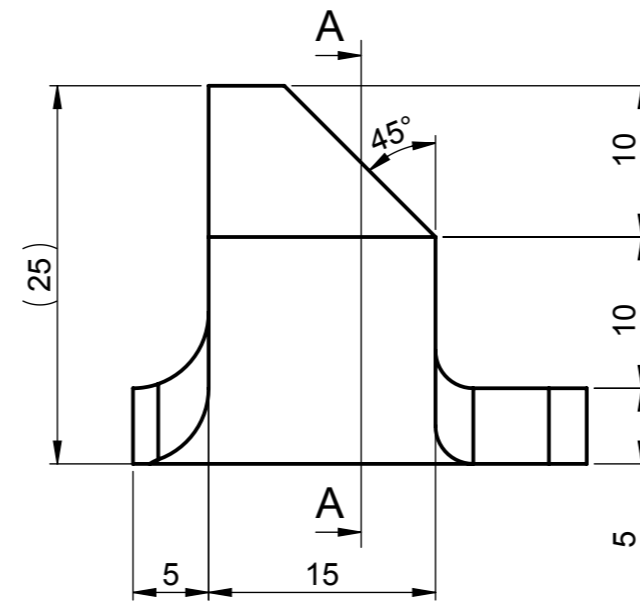
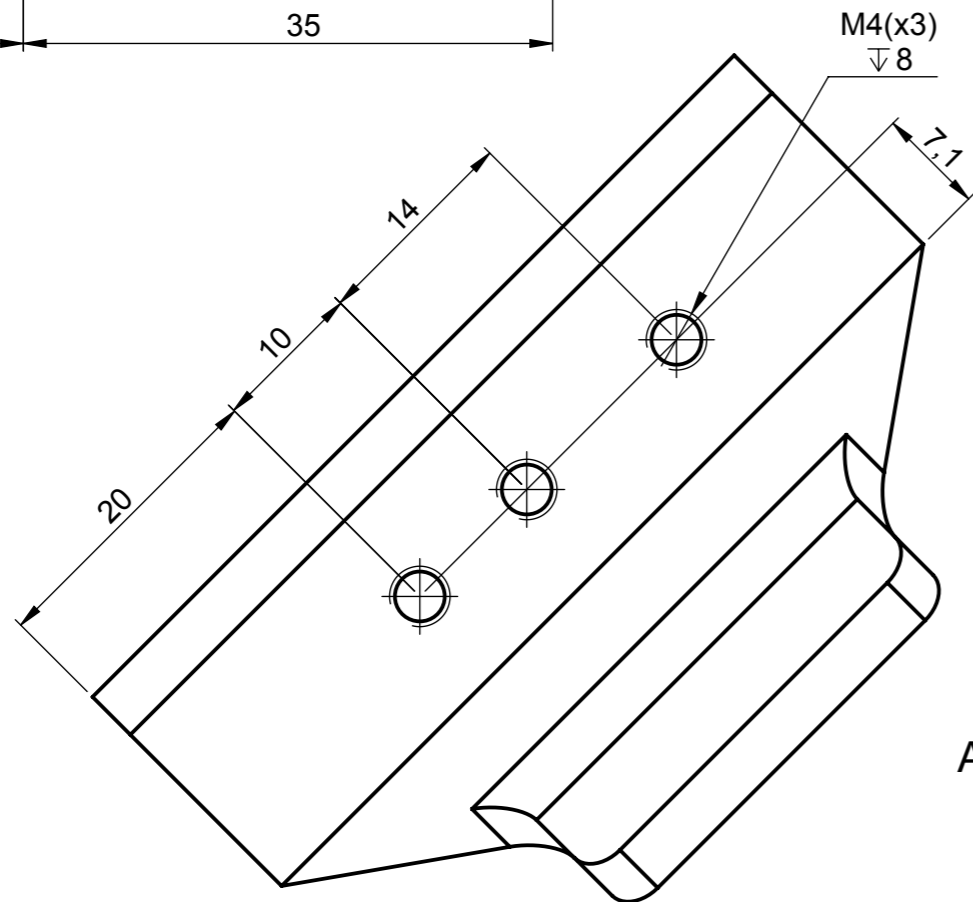
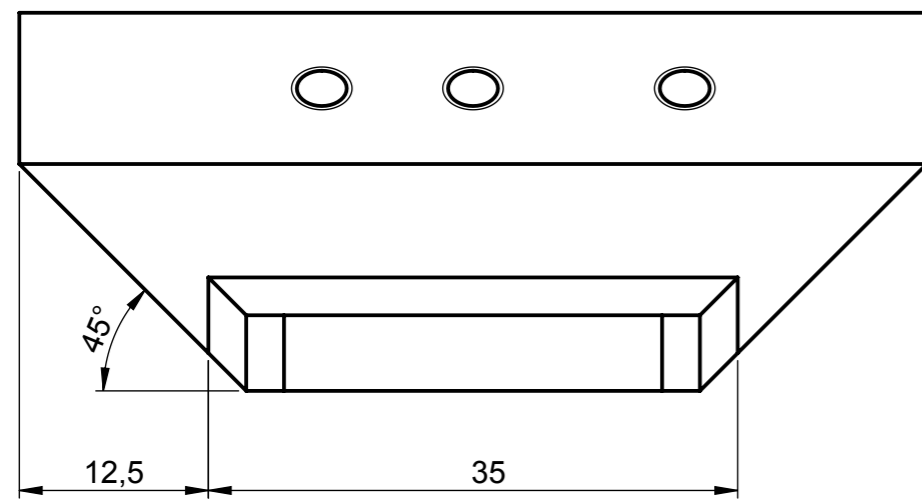
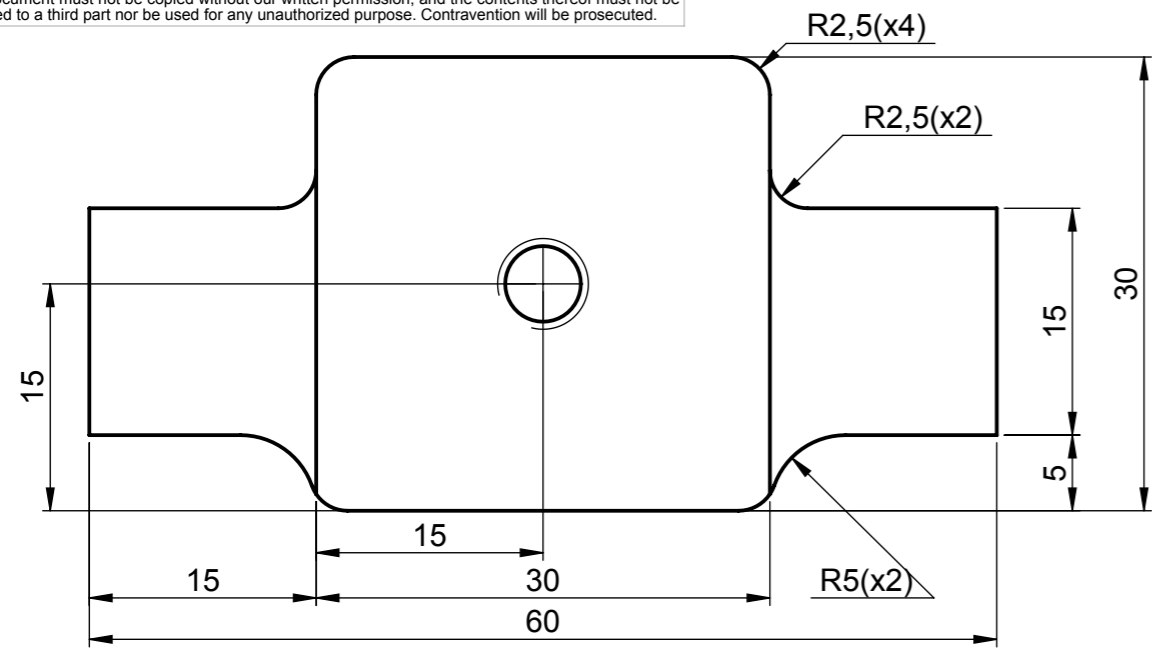


ITEM NO.	QTY.	DESCRIPTION	Material
1	1	DN160CF Upper Clamp	Al-4212

DRAWN BY M.Noor	CHECKED N.J	APPROVED -	OWNER R.Ruber / M.Jacewicz	PROJ. TYPE 	DEBUR AND BREAK SHARP EDGES	DO NOT SCALE DRAWING
---------------------------	-----------------------	----------------------	--------------------------------------	----------------	-----------------------------	----------------------

 UPPSALA UNIVERSITET	 Kjellbergström Verkstad	TOLERANCES	PROJECT			
		ISO-2768-mK	Uppsala / CLIC X-Band Spectrometer			
		ROUGHNESS	TITLE			
		Ra 3.2	DN160CF LOWER CLAMP			
SCALE	DRAWING NO.	REVISION	RELEASE DATE	SHEET	SIZE	
1:2	0035 - 1432	A	03.01.14	3 of 4	A4	

This document must not be copied without our written permission, and the contents thereof must not be imparted to a third part nor be used for any unauthorized purpose. Contravention will be prosecuted.



ITEM NO.	QTY.	DESCRIPTION	Material
1	1	Rail Mount Adaptor	Al-4212
DRAWN BY	CHECKED	APPROVED	OWNER
M.Noor	N.J	-	R.Ruber / M.Jacewicz
TOLERANCES		PROJECT	
ISO-2768-m		Uppsala / CLIC X-Band Spectrometer	
ROUGHNESS		TITLE	
		Rail Mount Adaptor	
SCALE	DRAWING NO.	REVISION	RELEASE DATE
2:1	0038 - 1433	A	03.02.14
SHEET		SIZE	
4 of 4		A3	



UPPSALA
UNIVERSITET



TOLERANCES

ISO-2768-m

ROUGHNESS

SCALE

PROJECT

Uppsala / CLIC X-Band Spectrometer

TITLE

Rail Mount Adaptor

DRAWING NO.

0038 - 1433

REVISION

A

RELEASE DATE

03.02.14

SHEET

4 of 4

SIZE

A3