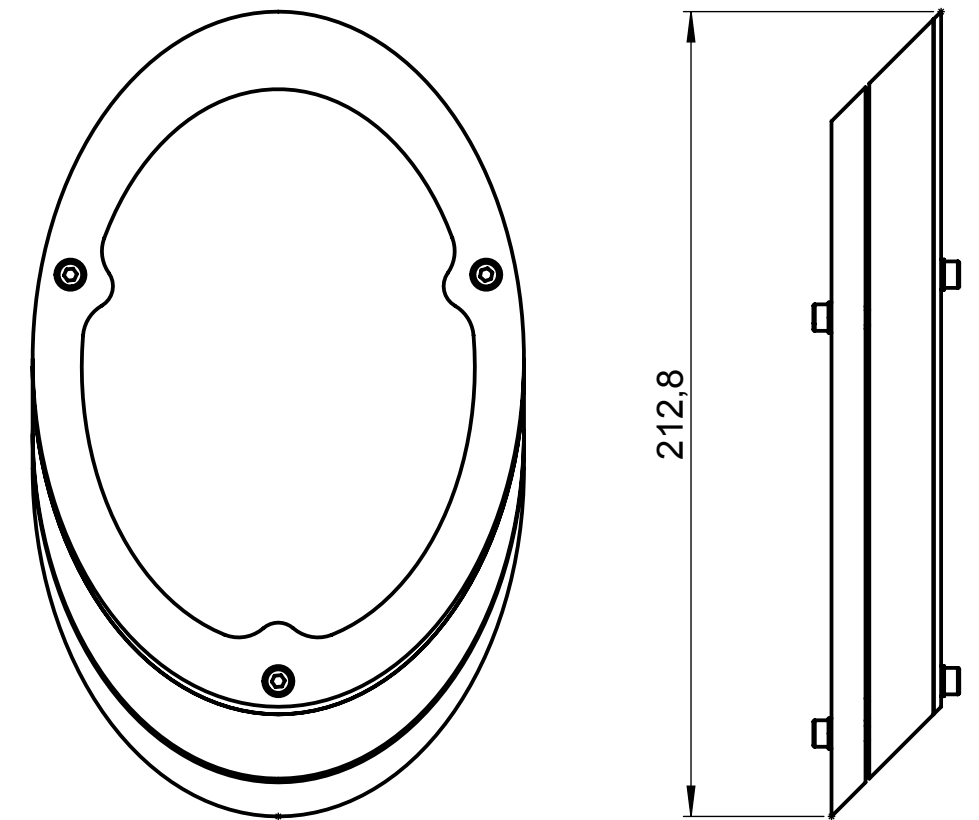
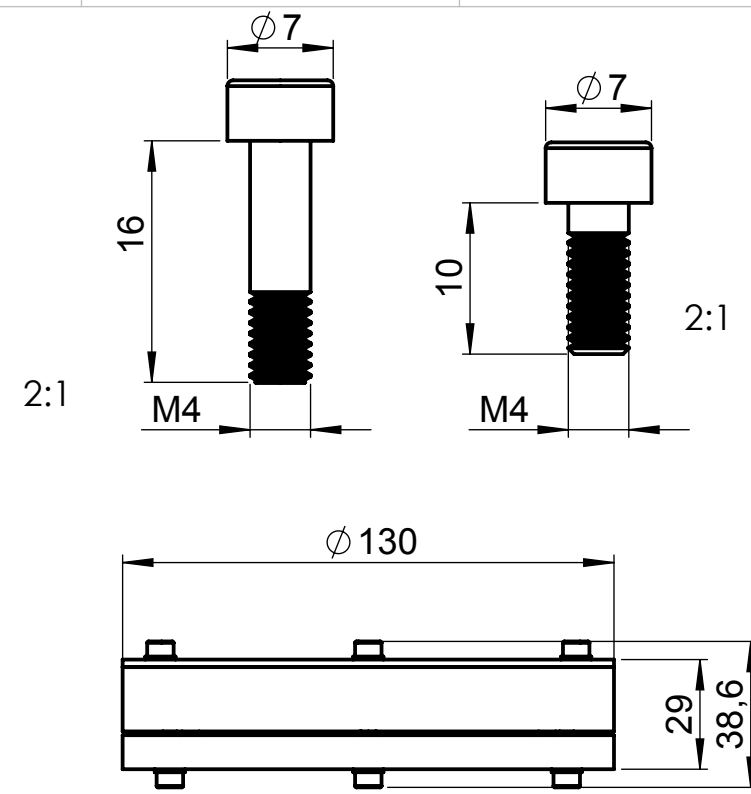
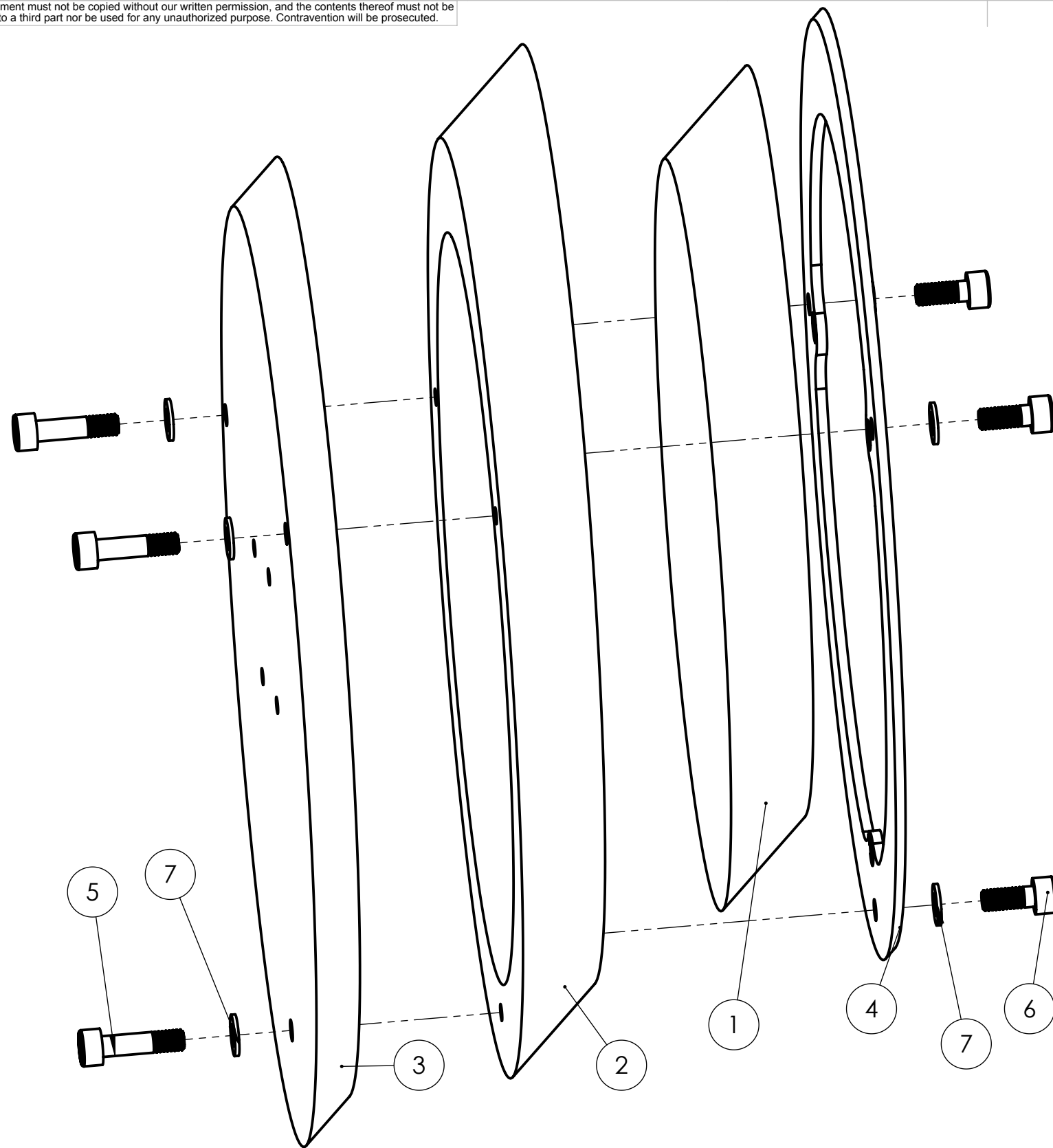


This document must not be copied without our written permission, and the contents thereof must not be imparted to a third part nor be used for any unauthorized purpose. Contravention will be prosecuted.

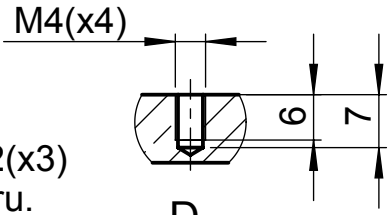
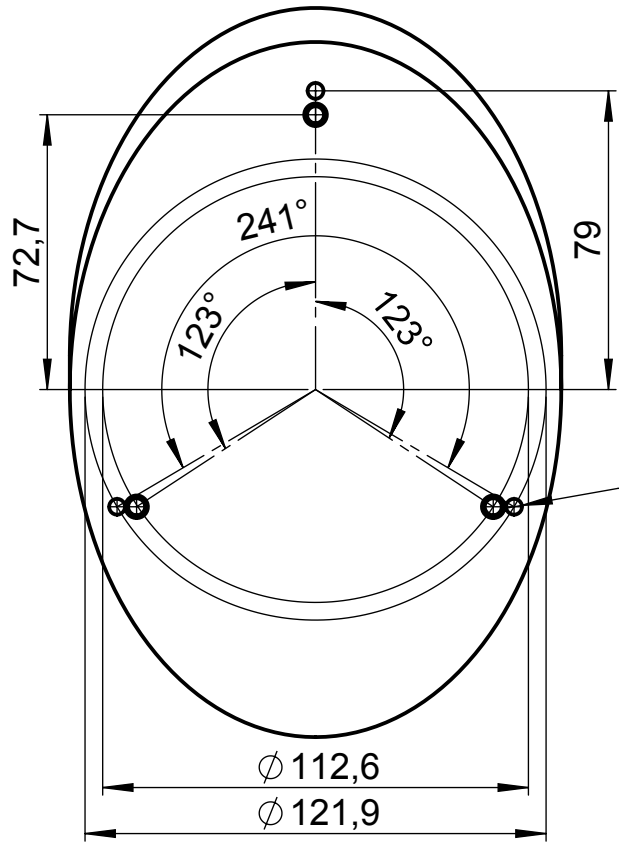


ITEM NO.	QTY.	DESCRIPTION	Drw / Art nr.	Material
1	1	Polished Mirror	Crytur 90x20x0.1	-
2	1	Ellip. Mirror Main Frame	0038 - 1472	-
3	1	Ellip. Mirror lower Frame	0038 - 1471	-
4	1	Ellip. Mirror Front Frame Bracket	0038 - 1473	-
5	3	M4 x 16	0038 - 1470	A4 Stainless Steel
6	3	M4 x 10	0038 - 1470	A4 Stainless Steel
7	6	M4 Washer	-	A4 Stainless Steel

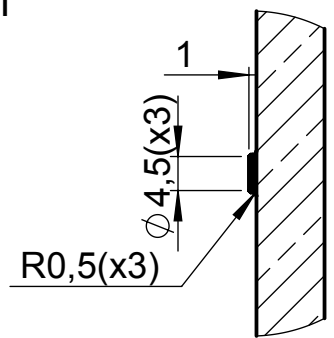
DRAWN BY	CHECKED	APPROVED	OWNER	PROJ. TYPE	DEBUR AND BREAK SHARP EDGES	DO NOT SCALE DRAWING
M.Noor	N.J	-	R.Ruber / M.Jacewicz			
UPPSALA UNIVERSITET		X-rayström Verkstad		TOLERANCES	PROJECT	
				ISO-2768-m	Uppsala / CLIC X-Band Spectrometer	
				ROUGHNESS	TITLE	
					ELLIPTICAL MIRROR ASSM.	
SCALE	DRAWING NO.	REVISION	RELEASE DATE	SHEET	SIZE	
1:1	0038 - 1470	A	04.03.14	1 of 4	A3	

ITEM NO.	QTY.	DESCRIPTION	Material
1	1	Ellip. Mirror lower Frame	Al-4212

A

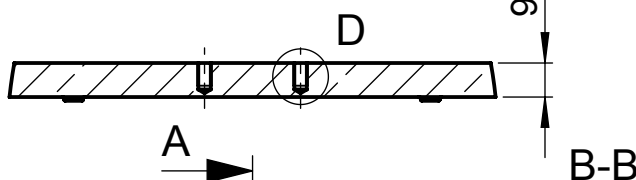


D
1:1



C
1:1

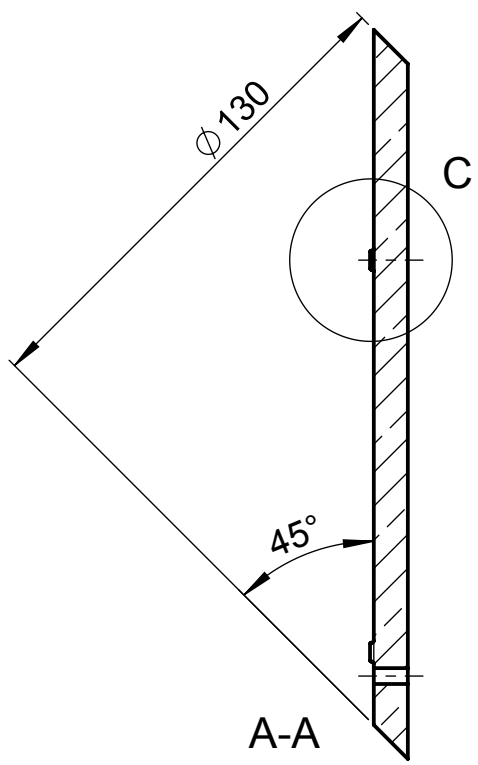
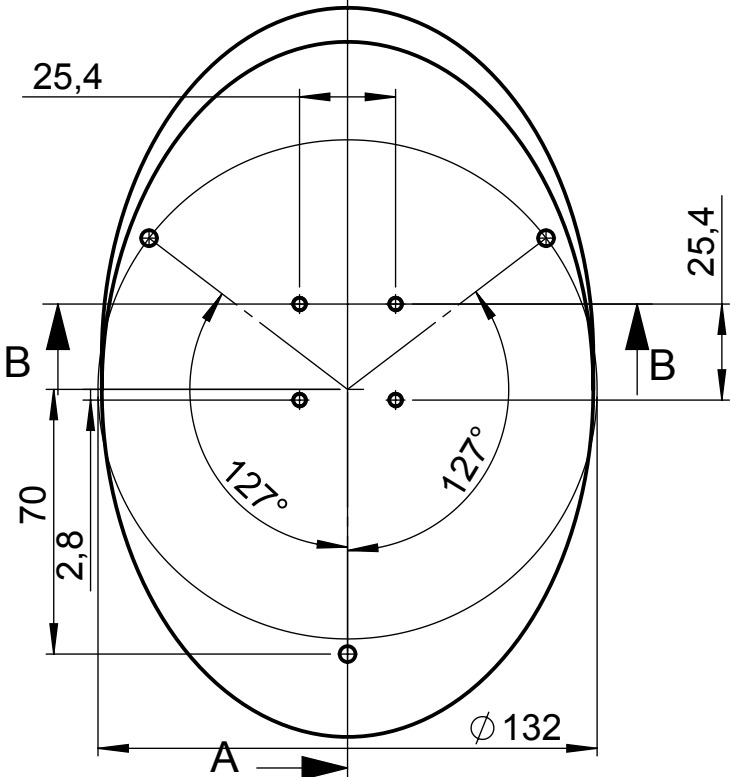
B



B-B

C

D



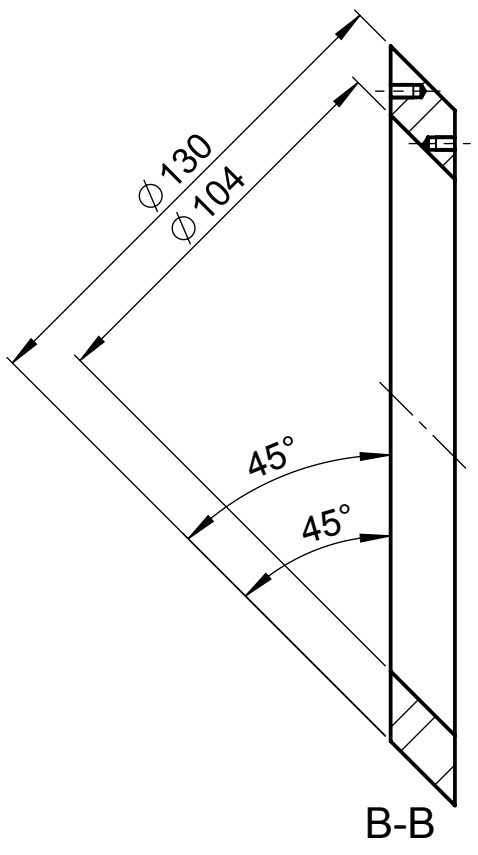
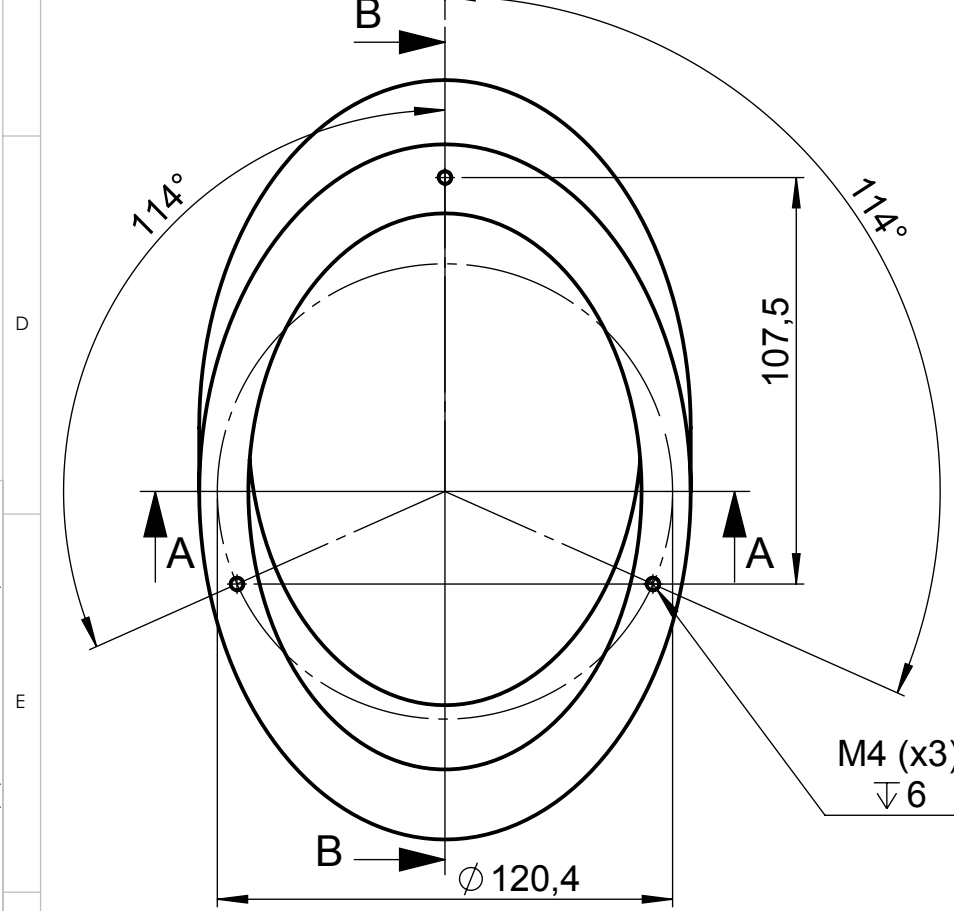
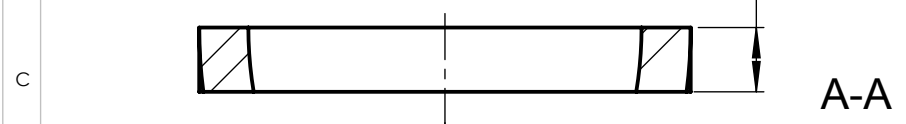
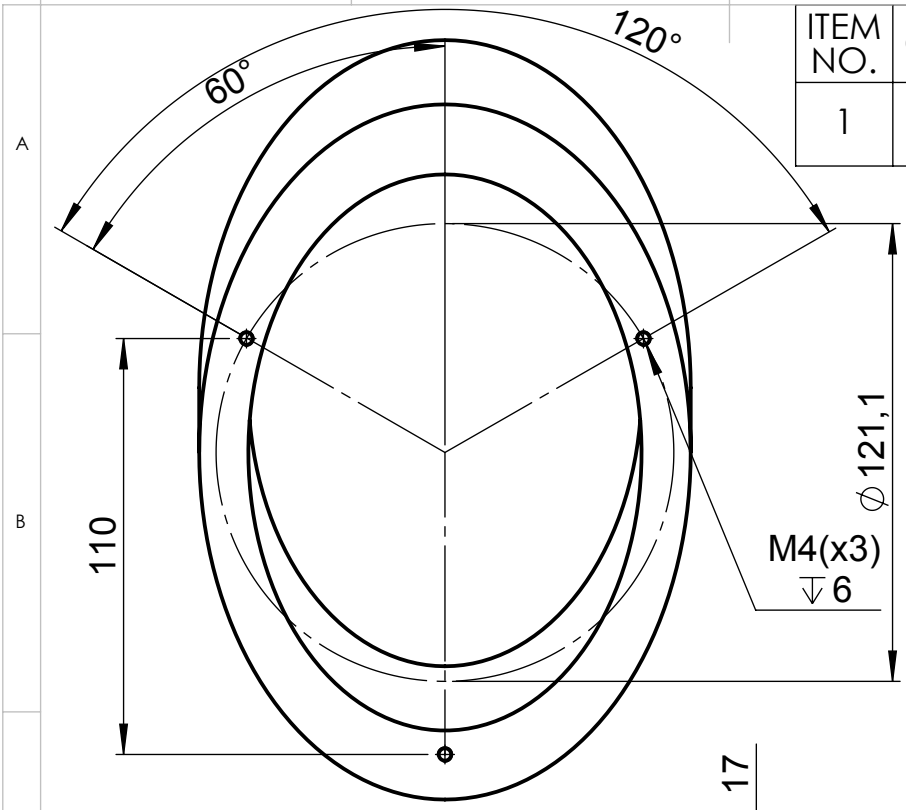
A-A

This document must not be copied without our written permission, and the contents thereof must not be imparted to a third party nor be used for any unauthorized purpose. Contravention will be prosecuted.

DRAWN BY M.Noor	CHECKED N.J	APPROVED -	OWNER R.Ruber / M.Jacewicz	PROJ. TYPE 	DEBUR AND BREAK SHARP EDGES	DO NOT SCALE DRAWING
---------------------------	-----------------------	----------------------	--------------------------------------	----------------	-----------------------------	----------------------

 UPPSALA UNIVERSITET	 Ångström Verkstad	TOLERANCES	PROJECT				
		ISO-2768-mK	Uppsala / CLIC X-Band Spectrometer				
		ROUGHNESS	TITLE				
		Ra 3.2	ELLIPTICAL MIRROR LOWER FRAME				
SCALE	DRAWING NO.	REVISION	RELEASE DATE	SHEET	SIZE		
1:2	0038 - 1471	A	04.02.14	2 of 4	A4		

ITEM NO.	QTY.	DESCRIPTION	Material
1	1	Ellip. Mirror Main Frame	Al-4212



This document must not be copied without our written permission, and the contents thereof must not be imparted to a third party nor be used for any unauthorized purpose. Contravention will be prosecuted.

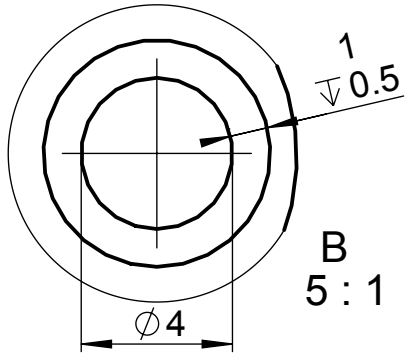
DRAWN BY M.Noor	CHECKED N.J	APPROVED -	OWNER R.Ruber / M.Jacewicz	PROJ. TYPE 	DEBUR AND BREAK SHARP EDGES	DO NOT SCALE DRAWING
---------------------------	-----------------------	----------------------	--------------------------------------	----------------	-----------------------------	----------------------

UPPSALA UNIVERSITET Ångström Verkstad	TOLERANCES	PROJECT				
	ISO-2768-mK	Uppsala / CLIC X-Band Spectrometer				
	ROUGHNESS	TITLE				
	Ra 3.2	ELLIP. MIRROR MAIN FRAME				
SCALE	DRAWING NO.	REVISION	RELEASE DATE	SHEET	SIZE	
1:2	0035 - 1472	A	04.02.14	3 of 4	A4	

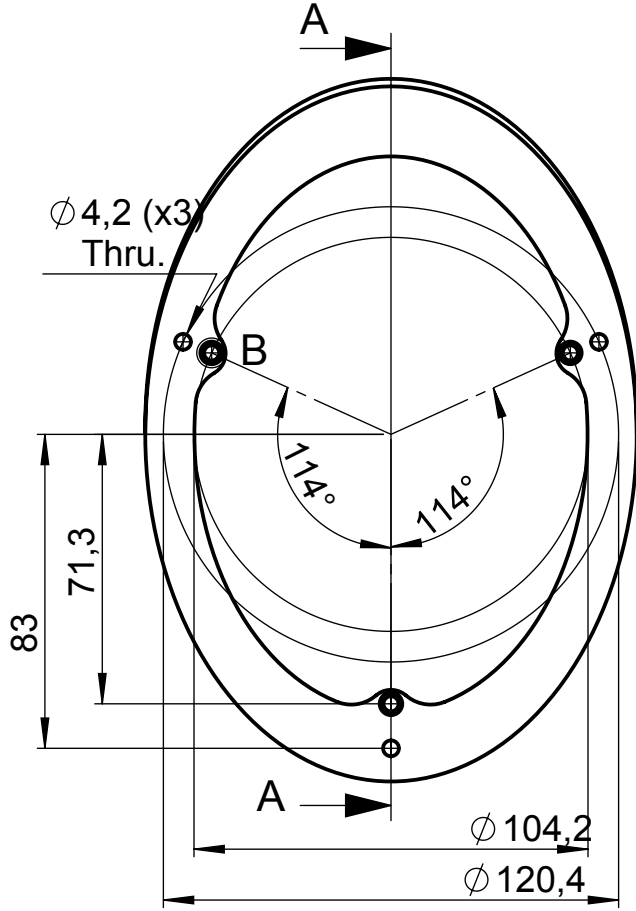
1 2 3 4

ITEM NO.	QTY.	DESCRIPTION	Material
1	1	Ellip. Mirror Main Frame	Al-4212

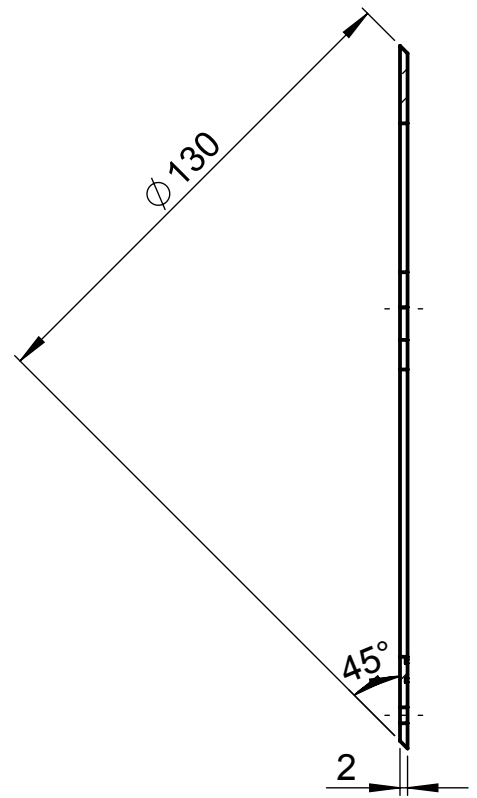
A



B



C



D

A-A
1:2

This document must not be copied without our written permission, and the contents thereof must not be imparted to a third party nor be used for any unauthorized purpose. Contravention will be prosecuted.

F

DRAWN BY M.Noor	CHECKED N.J	APPROVED -	OWNER R.Ruber / M.Jacewicz	PROJ. TYPE 	DEBUR AND BREAK SHARP EDGES	DO NOT SCALE DRAWING	
UPPSALA UNIVERSITET Ångström Verkstad		TOLERANCES ISO-2768-mK	PROJECT Uppsala / CLIC X-Band Spectrometer				
		ROUGHNESS Ra 3.2	TITLE Ellip. Mirror Front Frame Bracket				
		SCALE 1:1	DRAWING NO. 0035 - 1473	REVISION A	RELEASE DATE 04.02.14	SHEET 4 of 4	SIZE A4