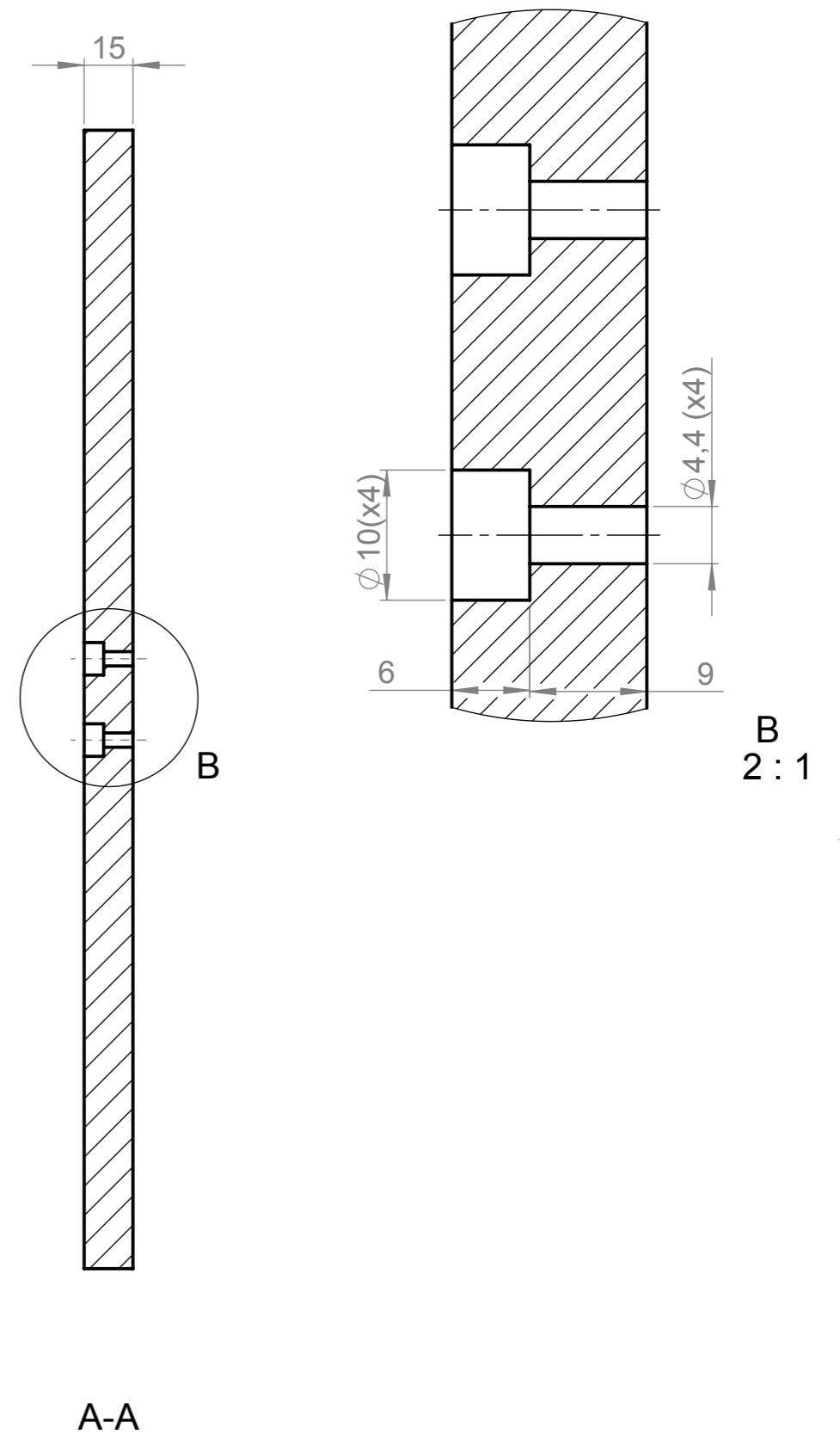
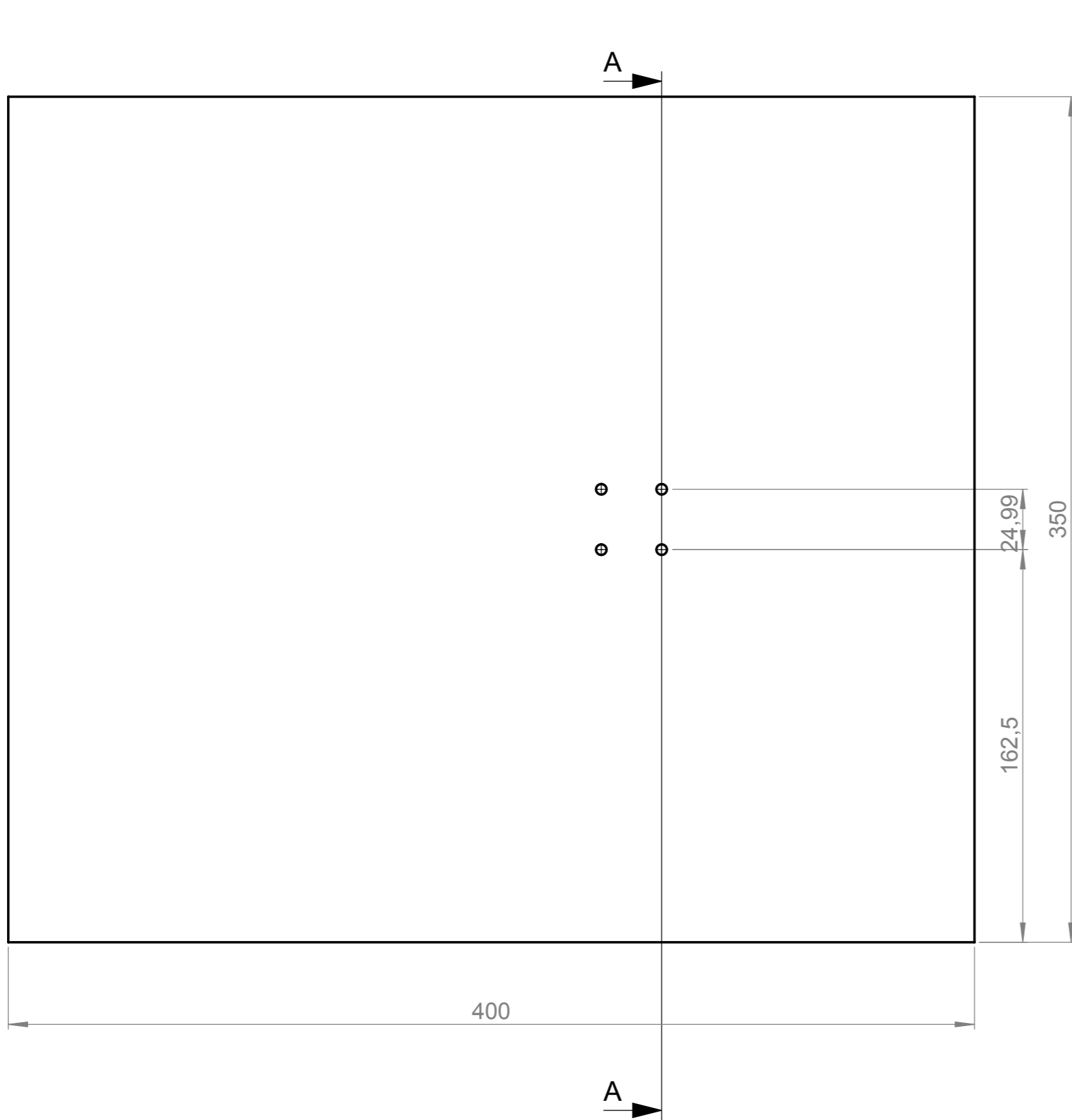




This document must not be copied without our written permission, and the contents thereof must not be imparted to a third part nor be used for any unauthorized purpose. Contravention will be prosecuted.



ITEM NO.	QTY.	DESCRIPTION	Material
1	1	Camera Lead Support	Al-4212

DRAWN BY	CHECKED	APPROVED	OWNER	PROJ. TYPE	DEBUR AND BREAK SHARP EDGES	DO NOT SCALE DRAWING
M.Noor	N.J	-	R.Ruber / M.Jacewicz			
				TOLERANCES	PROJECT	
				ISO-2768-m	CLIC / CTF 3	
				ROUGHNESS	TITLE	
				Ra 3.2	CAMERA LEAD SUPPORT	
				SCALE	DRAWING NO.	REVISION
				1:2	0038-1501	A
					RELEASE DATE	SHEET
					15.01.14	1 of 1
						SIZE
						A3