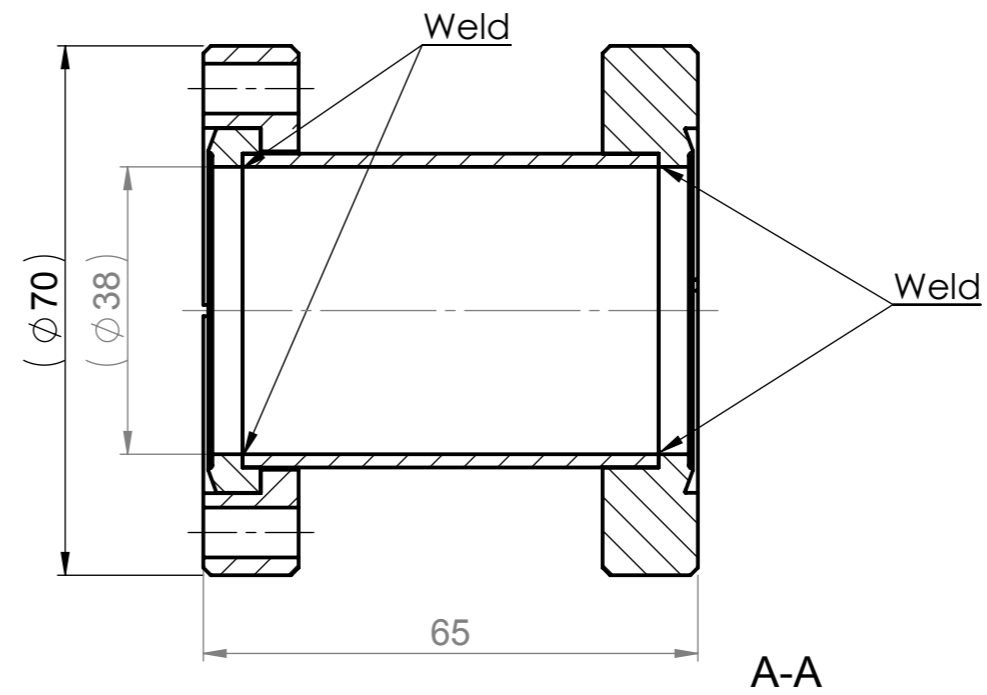
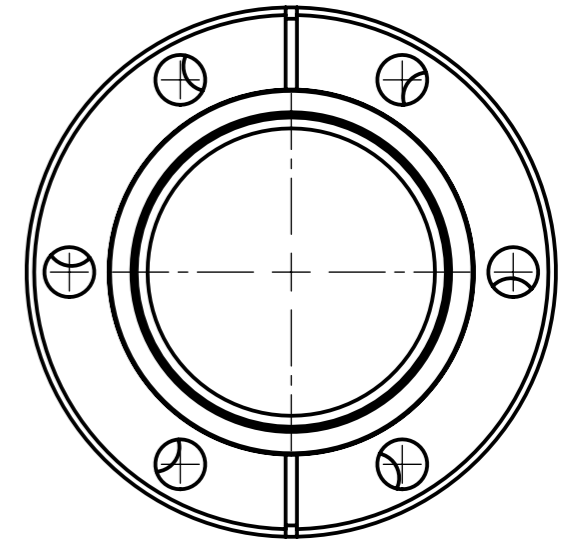
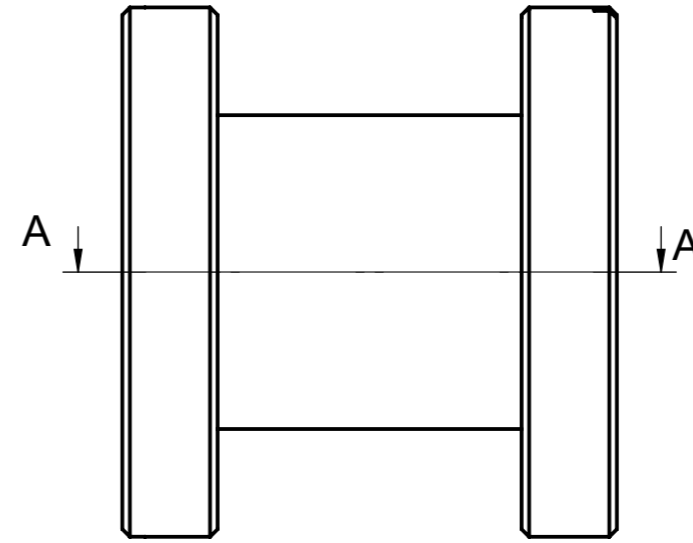
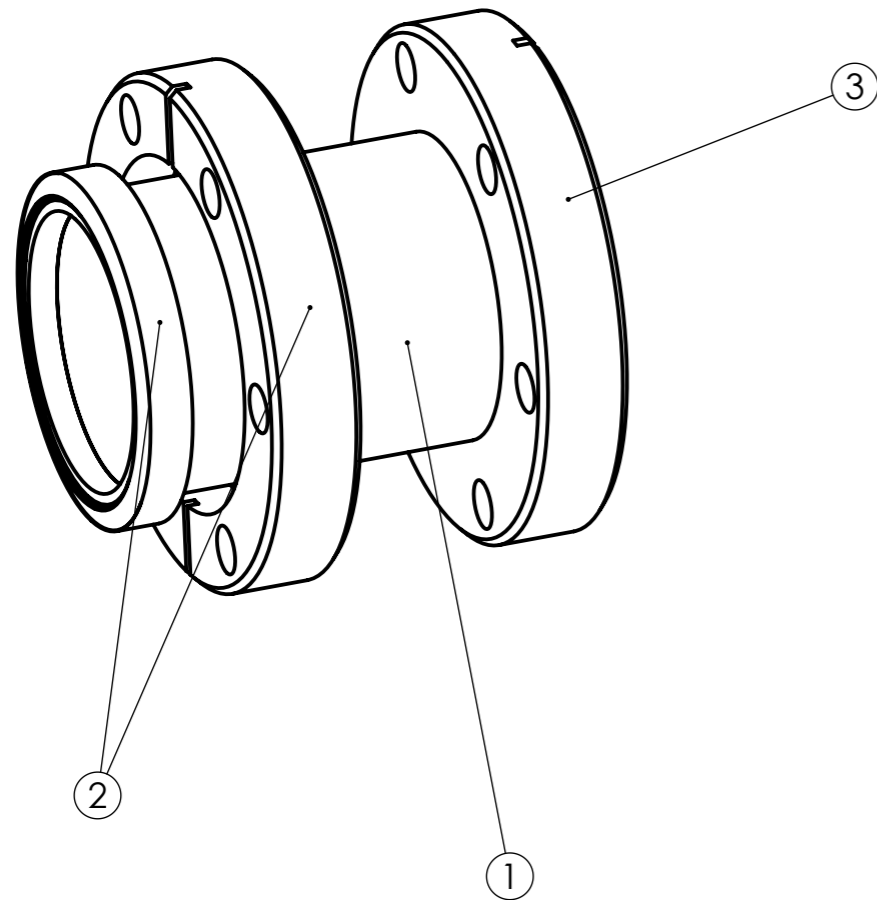




This document must not be copied without our written permission, and the contents thereof must not be imparted to a third part nor be used for any unauthorized purpose. Contravention will be prosecuted.



ITEM NO.	QTY.	DESCRIPTION	Drw / Art Nr.	Material
1	1	DN40CF Pipe	0038 - 1701	-
2	1	DN40CF Rotatable Flange	MDC 100051	316L
3	1	DN40CF Flange	MDC 110051	316L

DRAWN BY	CHECKED	APPROVED	OWNER	PROJ. TYPE	DEBUR AND BREAK SHARP EDGES	DO NOT SCALE DRAWING
M.Noor	N.J	-	R.Ruber / M.Jacewicz			
				TOLERANCES	PROJECT	
				ISO-2768-m	Uppsala / CLIC X-Band Spectrometer	
				ROUGHNESS	TITLE	
					DN40CF EXTENSION	
SCALE	DRAWING NO.	REVISION	RELEASE DATE	SHEET	SIZE	
1:1	0038 - 1700	A	29.01.14	1 of 2	A3	

A

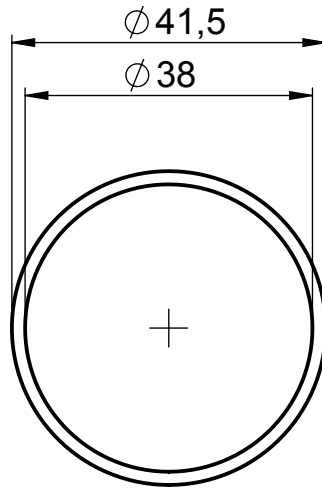
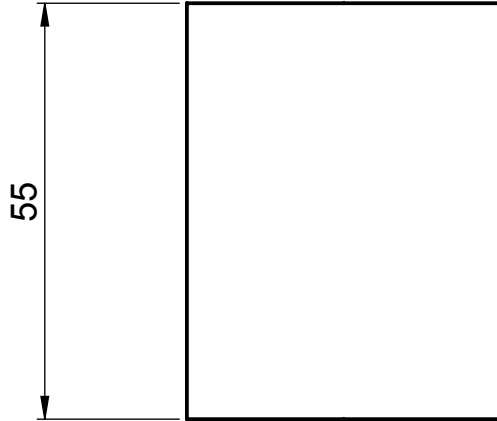
B

C

D



E

F



ITEM NO.	QTY.	DESCRIPTION	Material
1	1	DN40CF Pipe	316L

DRAWN BY M.Noor	CHECKED N.J	APPROVED -	OWNER R.Ruber / M.Jacewicz	PROJ. TYPE 	DEBUR AND BREAK SHARP EDGES	DO NOT SCALE DRAWING
---------------------------	-----------------------	----------------------	--------------------------------------	---	-----------------------------	----------------------

 UPPSALA UNIVERSITET	 Kjellbergström Verkstad	TOLERANCES	PROJECT				
		ISO-2768-mK	Uppsala / CLIC X-Band Spectrometer				
		ROUGHNESS	TITLE				
		Ra 3.2	DN40CF PIPE				
		SCALE	DRAWING NO.	REVISION	RELEASE DATE	SHEET	SIZE
1:1	0038-1701	A	29.01.14	2 of 2	A4		

This document must not be copied without our written permission, and the contents thereof must not be imparted to a third party nor be used for any unauthorized purpose. Contravention will be prosecuted.