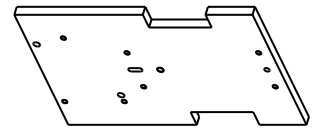
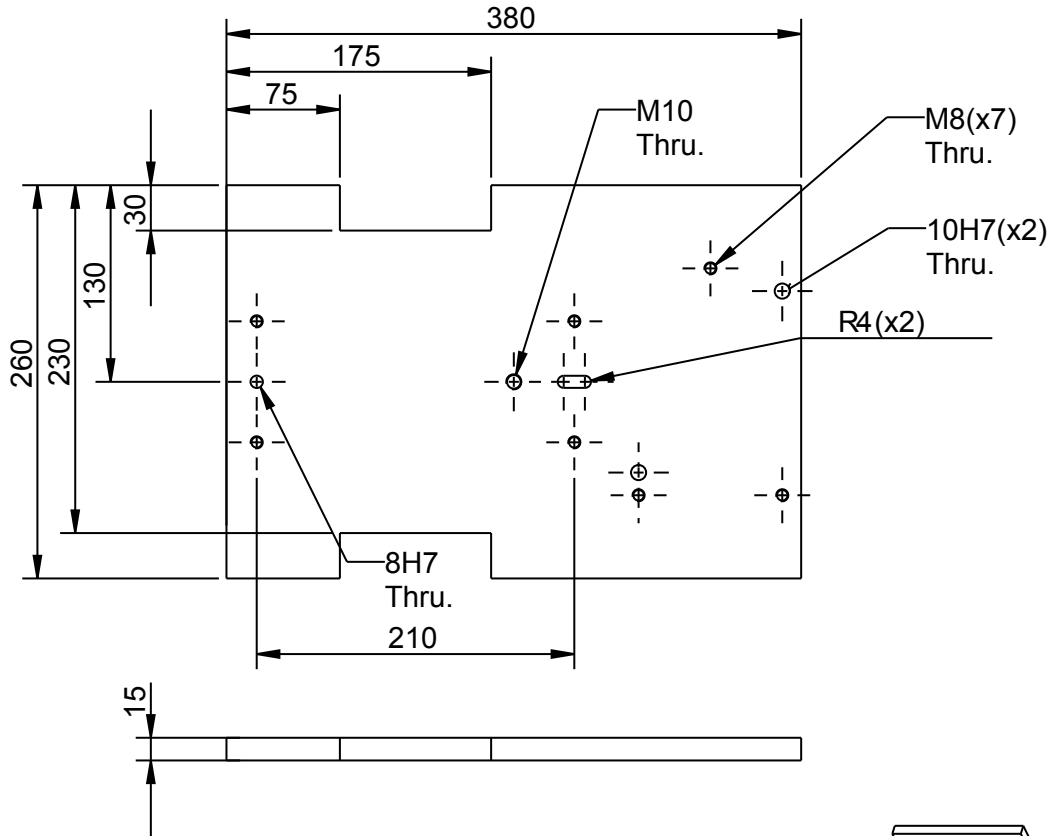
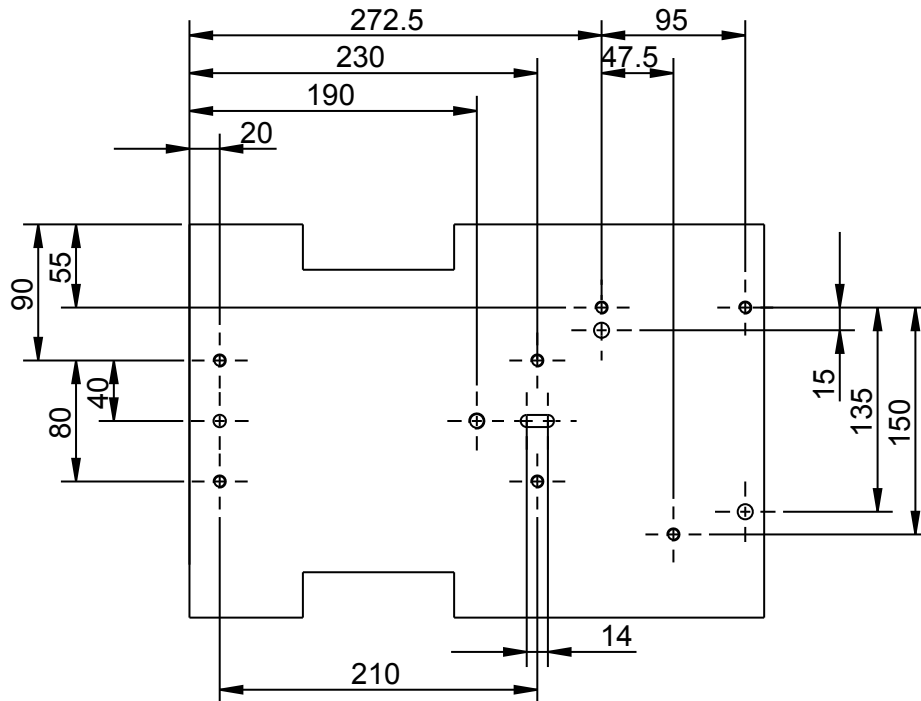


EDITION.	TYPE OF MODIFICATION/MODIFICATION NOTICE.	APPROVED BY/DATE.
B	Depth changed to Thru, Codes for the MTV changed.	



9:100



DESIGNED BY M.Noor	VERIFIED N.Johansson	RELEASED DATE 08.09.09	IF NOT OTHERWISE STATED TOLERANCES ARE ACC. TO SS-ISO 2768- m	GENERAL SURFACE FINISH Ra 3.2	PROJECTION TYPE 	SCALE 1:5
-----------------------	-------------------------	---------------------------	--	----------------------------------	---------------------	--------------

UPPSALA UNIVERSITY

Department of

PHYSICS AND ASTRONOMY. CAI

TITLE
MOBILE PLATE

PROJECT NAME
TBTS MTV

MATERIAL
SS-4212 / AW-6082

DRAWING NO.
901-001

REVISION
B

DWG SIZE
A4

SHEET
1 OF 1

This document must not be copied without our written permission, and the contents thereof must not be imparted to a third party nor be used for any unauthorized purpose. Contravention will be prosecuted.

Denna ritning är vår egendom och skyddad enligt lag, samt får ej utan vårt medgivande kopieras, delgivas annan person, eller obehörigen användas.