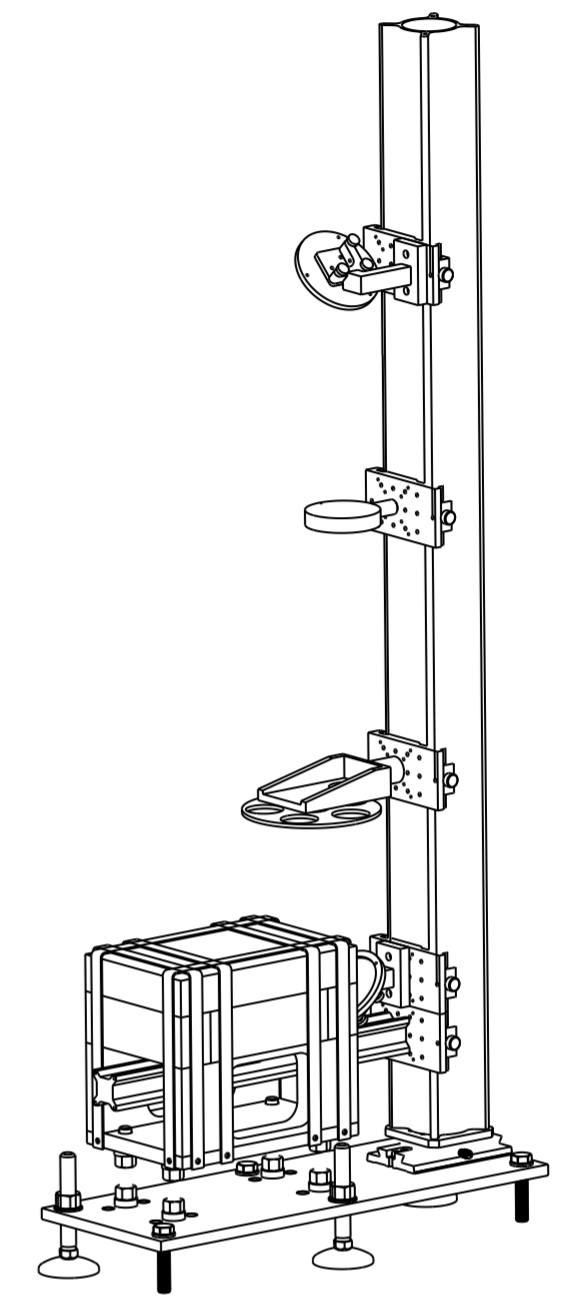


DETAIL A-A  
2:5

SEE DETAIL A

DETAIL A  
1:2



SCALE 1:10

ITEM	PCS.	NAME / PART	MATERIAL	REMARK / ART.NO.
20	1	MIRROR		
19	1	LENS		
18	1	FILTER		
17	1	90_DEGREES_ANGLED_MIRROR		
16	3	WASHER_M16	STEEL	
15	3	ST_HEX_M16	STEEL	
14	4	PLAIN_M6_WASHER	STEEL	
13	3	BASE_PLATE_	STEEL	
12	1	NEWPORT_STRUCTURAL_RAIL_X48	ALUMINIUM	
11	3	BAR_M20X125	STEEL	NORELEM
10	1	X48_RAIL_CARRIER	ALUMINIUM	MODEL CXL48-50
9	4	M6X25H	STEEL	HEX SOCKET CAP M6 X 25
8	3	HEX_NUT_M20	STEEL	HEX NUT M20
7	5	NEWPORT_CARRIAGE	ALUMINIUM	CXL95-80
6	1	BLOCK_SUPPORT_ASSY		CTFBIMTV0075
5	1	INSULATING_SUPPORT		CTFBIMTV_0074
4	1	CAMERA		CIDTEC
3	3	PL_WASHER_M20	STEEL	47.78.12
2	1	X95_RAIL_ADJUSTER		901-008
1	1	RAIL_SUPPORT	AW-6082	901-007

DESIGNED BY M.Noor	VERIFIED N.Johansson	RELEASED DATE 09.10.09	IF NOT OTHERWISE STATED TOLERANCES ARE ACC. TO SS-ISO 2768m	GENERAL SURF. FINISH Ra 3.2	SCALE 1:5
UPPSALA UNIVERSITY Department of PHYSICS AND ASTRONOMY, CAI		TITLE <b>LENS SUPPORT ASSEMBLY</b> PROJECT NAME <b>TBTS MTV</b>		DRAWING TYPE ASSEM	DWG SIZE A2
DRAWING NO. <b>901-009</b>			REVISION	SHEET 1 OF 1	

This document must not be copied without our written permission, and the contents thereof must not be imparted to a third party nor be used for any unauthorized purpose. Contravention will be prosecuted.

Den här ritning är vår egendom och skyddad enligt lag, samt får ej utan vårt medgivande kopieras, delvis eller helt, eller användas för andra ändamål.