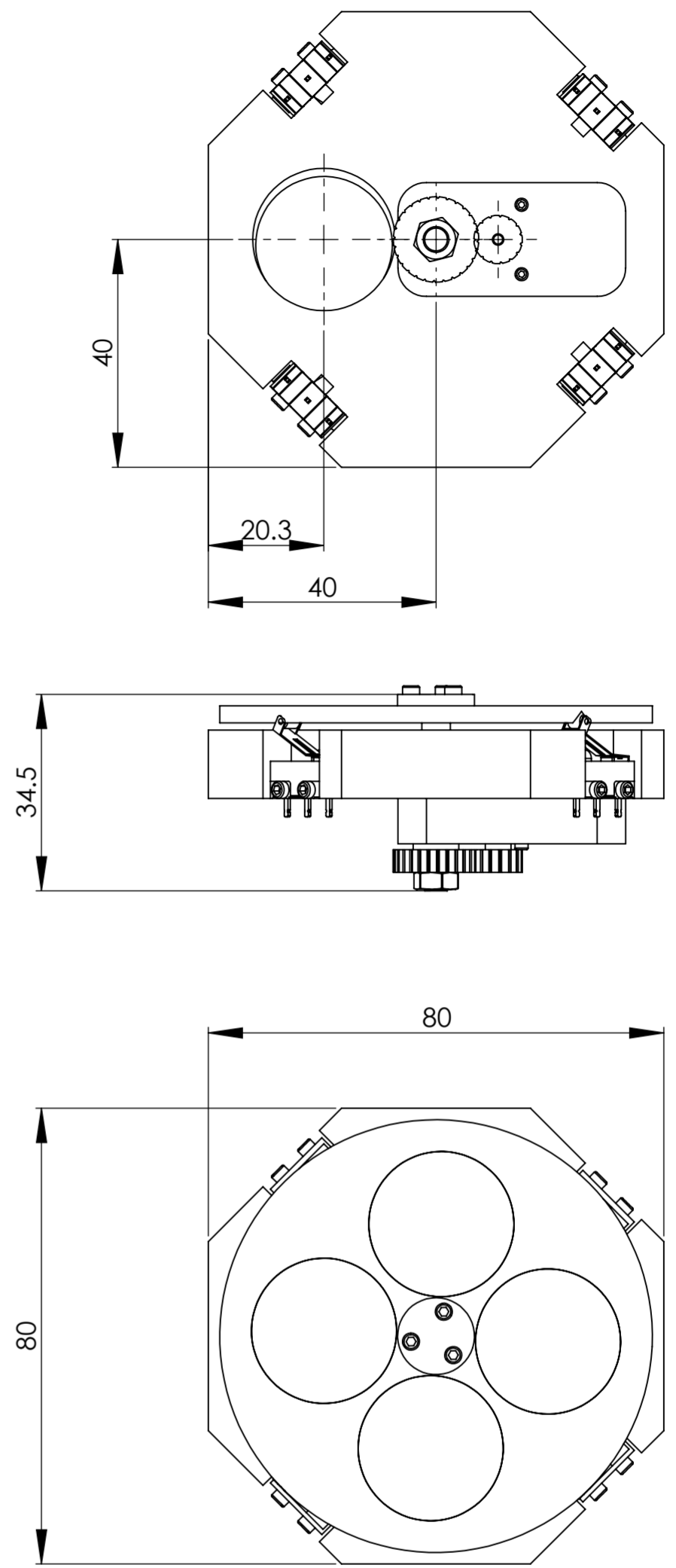
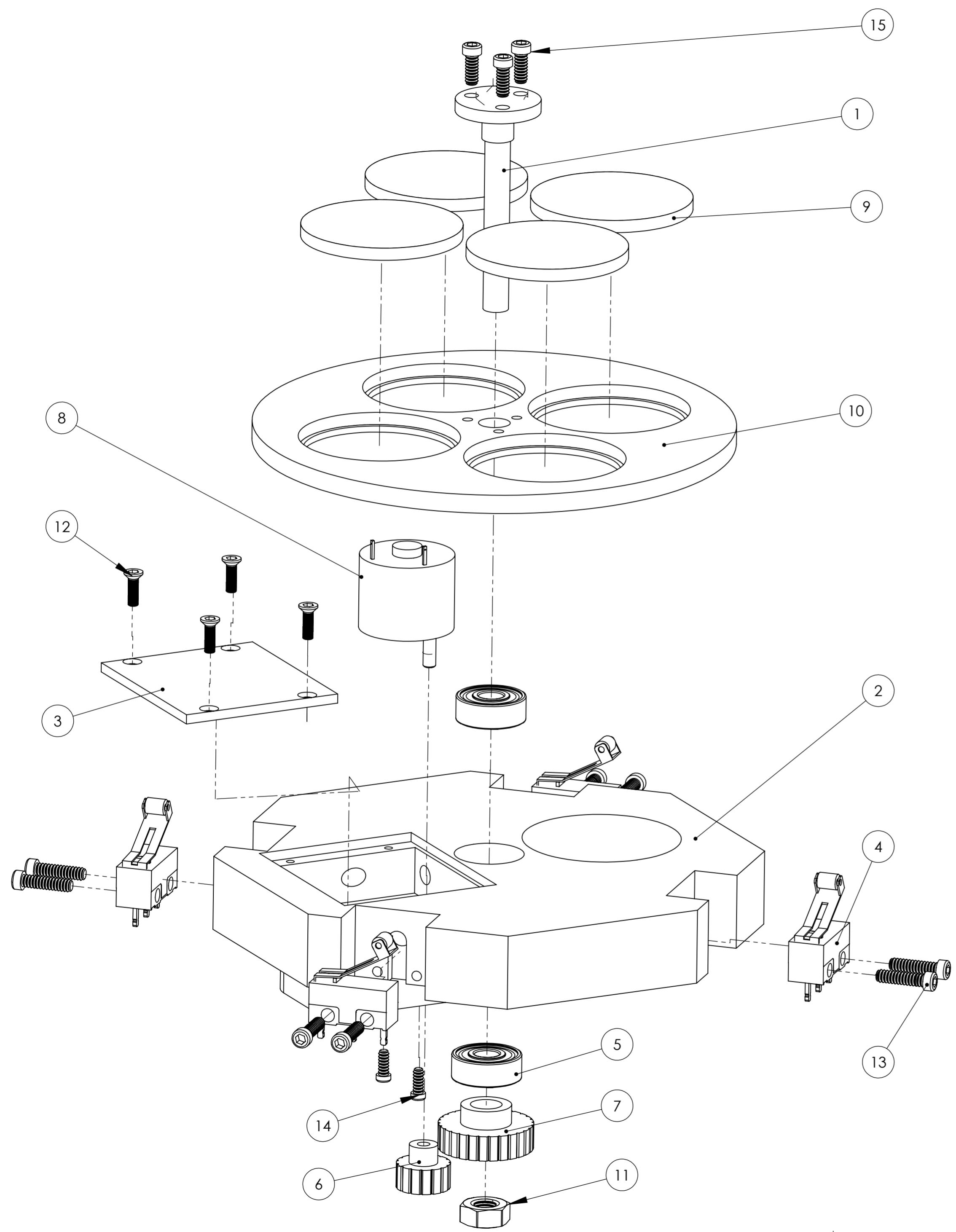


| REV. | DESCRIPTION | DATE | APPROVED |
|------|-------------|------|----------|
| | | | |



| ITEM | PCS | MATERIAL | PART NAME | REFERENCE NO. |
|------|-----|----------|--------------------------------|----------------------|
| 15 | 3 | STEEL | HEX SOCKET CAP SCREW M2x5H | M2X5 |
| 14 | 2 | STEEL | HEX SOCKET CAP SCREW M1.6x4H | M1.6X4 |
| 13 | 8 | STEEL | HEX SOCKET CAP SCREW M2x8H | M2X8 |
| 12 | 4 | STEEL | HEX SOCKET CAP SCREW M1.6x5.5H | M1.6X5 |
| 11 | 1 | STEEL | HEX M4 NUT | FILTER WHEEL M4 NUT |
| 10 | 1 | AW-6082 | FILTER WHEEL | FILTER WHEEL |
| 9 | 4 | - | FILTER WHEEL LINS | FILTER WHEEL LINS |
| 8 | 1 | - | ELECTRIC MOTOR | FAULHABER 1512 012SR |
| 7 | 1 | - | WHEEL SHAFT GEAR | RADIOSPARE 521-6991 |
| 6 | 1 | - | EL MOTOR GEAR | RADIOSPARE 521-7051 |
| 5 | 2 | - | 11MM BALL BEARING | RADIOSPARE 747-737 |
| 4 | 4 | - | ACTUATOR | DG SERIES (TYPE RA) |
| 3 | 1 | AW-6082 | FILTER_SUPPORT_GROOVE_PLATE | 901-022 |
| 2 | 1 | AW-6082 | FILTER_SUPPORT | 901-019 |
| 1 | 1 | Brass | FILTER WHEEL SHAFT | 901-018 |

| | | | | | | |
|----------|-------------|---|--------------|---------------------------------------|-----------------------------|----------------------|
| DRAWN BY | CHECKED | APPROVED | OWNER | PROJ. TYPE | DEBUR AND BREAK SHARP EDGES | DO NOT SCALE DRAWING |
| M.N | N.J | - | R.R | ☞ | | |
| | | CAI CENTER FOR ACCELERATOR AND INSTRUMENT DEVELOPMENT | | PROJECT TBTS MTV | | |
| | | | | TITLE FILTER WHEEL ASSEMBLY | | |
| SCALE | DRAWING NO. | REVISION | RELEASE DATE | SHEET | SIZE | |
| 2:1 | 901-023 | A | 23.02.10 | 1 of 1 | A2 | |