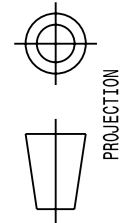
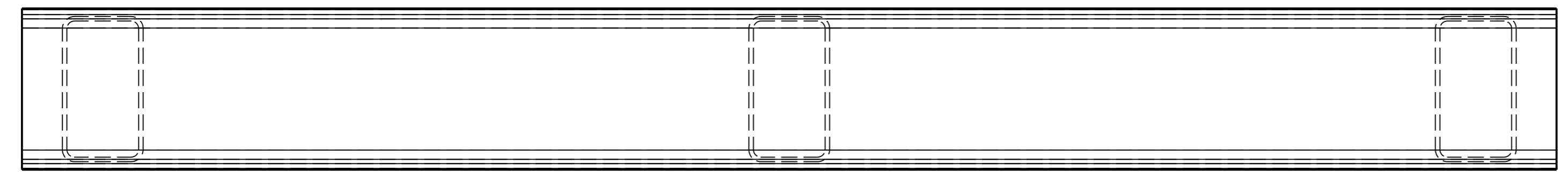
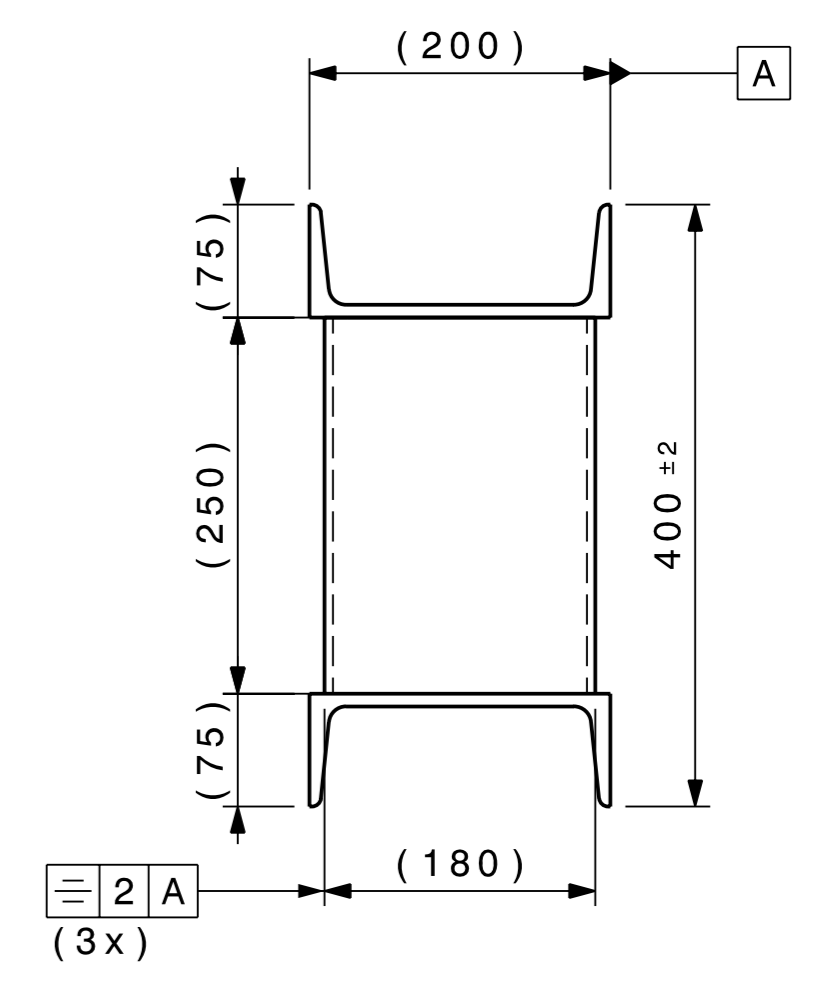
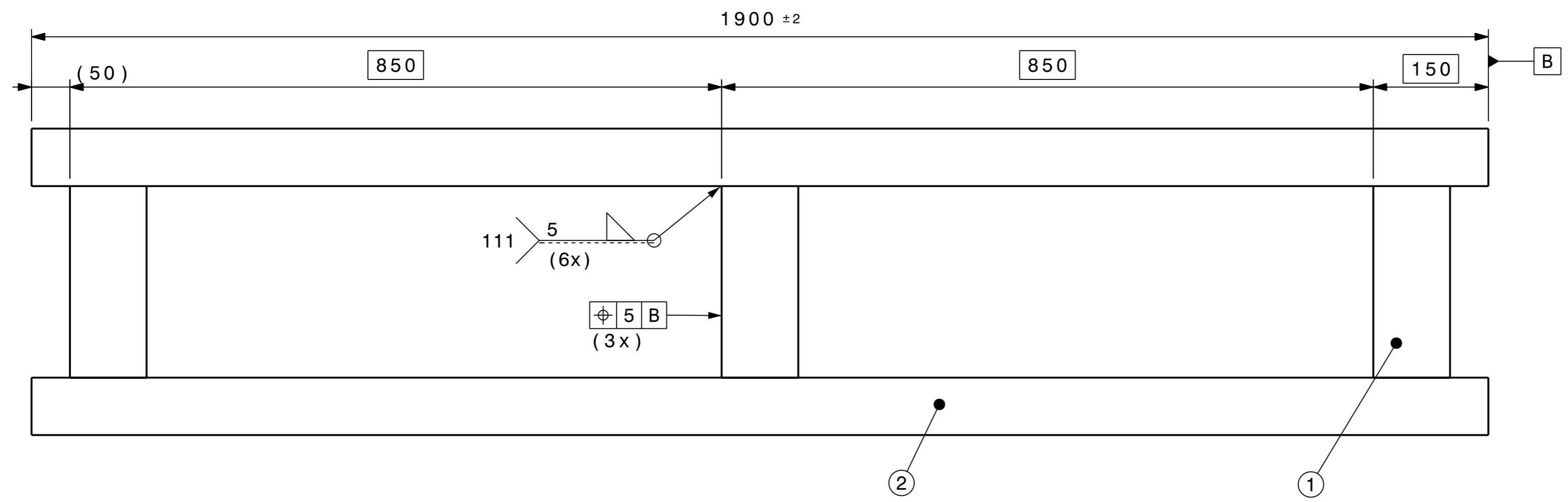


Tolerances geometriques, ISO 2768 - mK - E
 Toleraances lineaires et angulaires ISO 13715
 Aretes de forme non definie

DESSIN, RUGOSITE, TOLERANCES SELON NORMES ISO
 DRAWING, RUGOSITY, TOLERANCES ACCORDING TO ISO STANDARDS



ORGANISATION EUROPEENNE POUR LA RECHERCHE NUCLEAIRE
 EUROPEAN ORGANIZATION FOR NUCLEAR RESEARCH
 CERN
 Ce dessin ne peut être utilisé à des fins commerciales sans autorisation écrite
 This drawing may not be used for commercial purposes without written authorisation



Mass 110 Kg
 Poids

PROTECTION
 - Sandblasting before painting
 - 1 Layer anti-rust coating
 - 2 Layers of synthetic coating, clear yellow RAL 1021

PROTECTION
 - Sablage
 - 1 couche peinture antirouille
 - 2 couches de peinture synthétique jaune chrome clair RAL 1021

QUANT.	2	U NP PROFIL SHAPE 200x75x8.5 PROFILE U PN 200x75x8.5	2	STEEL S235JRG2	L = 1900 mm			
	3	MSH RECTANGULAR TUBE 180x100x5.6 TUBE RECTANGULAIRE MSH180x100x5.6	1	STEEL S355J2H	L = 250 mm			
		DESCRIPTION	POS	MAT.	OBSERVATIONS	REF. CERN		
ENS/ASS			CTFHBEAM0022		S. ENS/S. ASS			
Mechanics, Supports and Handling - Beam					ECHELLE SCALE 1:5	DES/DRA.	B. FAVRAT	2007-06-08
GIRDER 1900 MM ASSEMBLY GIRDER 1900 MM ENSEMBLE POUTRE 1900 MM POUTRE 1900 MM						CONTROLLED		
					RELEASED			
					APPROVED			
					CTF \ HBEAMO \ CTFHBEAM0021			
					REPLACE/REPLACES			
		NON VALABLE POUR EXECUTION NOT VALID FOR EXECUTION		QAC	-	CTFHBEAM0021	SIZE	IND.
						2	2	