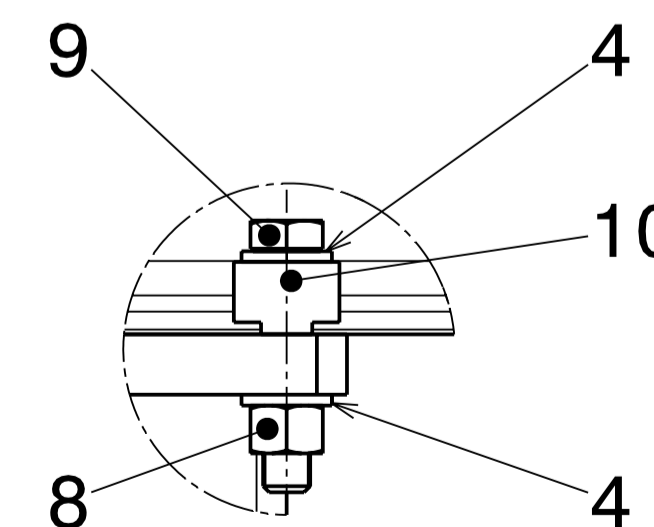


Detail A
Scale : 2:5



Detail B
Scale : 2:5

8	FLAT TOP FIXING CRAPAUD	10	STEEL	LINDAPTER TYPE "B" - B16M	
8	HEXAGONAL SCREW M16x80	9	STEEL	BOSSARD BN57	
8	VIS A TETE HEXAGONALE M16x80	9	ACIER		
8	NUT M16	8	STEEL	BOSSARD BN117	
8	ECROU M16	8	ACIER		
6	THIN NUT M20	7	STEEL	BOSSARD BN630	
6	ECROU FIN M20	7	ACIER	SUPPLIED BY NORELEM	
6	PLAIN WASHER M20	6	STEEL	BOSSARD BN715	
6	RONDELLE PLATE M20	6	ACIER		
6	ADJUSTING FOOT	5	STAINLESS STEEL	NORELEM SAS : M20, L=125mm 27828, 201252	
6	PIED REGLABLE	5	INOX	NORELEM SAS : forme A, Ø=80mm 27817-10802	
22	PLAIN WASHER M16	4	STEEL	BOSSARD BN715	
22	RONDELLE PLATE M16	4	ACIER		
6	HEXAGONAL SCREW M16x120	3	STEEL	BOSSARD BN 57	
6	VIS A TETE HEXAGONALE M16x120	3	ACIER		
1	GIRDER 1900 MM ASSEMBLY - GIRDER 1900 MM	2		CTFHBEAM0021	
1	ENSEMBLE POUTRE 1900 MM - POUTRE 1900 MM	2			
2	GIRDER PILLAR - H 600 MM	1		CTFHBEAM0068	
2	PILIER POUTRE - H 600 MM	1			
QUANT.		POS	MAT.	OBSERVATIONS	REF.CERN
ENS/ASS		S.ENS/S.ASS			
Mechanics, Supports and Handling - Beam				ECHELLE SCALE	DES/DRA. ACROTECNA 2007-07-10
GIRDER L=1900MM ASSEMBLY				CONTROLLED	
POUTRE L= 1900MM				RELEASED	
ENSEMBLE				APPROVED	
				CTF\HBEAMO\CTFHBEAM0022	
				REPLACE/REPLACES	
NON VALABLE POUR EXECUTION			OAC	CTFHBEAM0022	SIZE IND.
NOT VALID FOR EXECUTION			-	1	

DESIGNED BY: [Name] / DRAWN BY: [Name] / CHECKED BY: [Name] / APPROVED BY: [Name] / DATE: [Date] / SCALE: 1:5 / PROJECT: [Project Name] / DRAWING NO: CTFHBEAM0022 / REVISION: 01 / THIS DRAWING IS THE PROPERTY OF ACROTECNA. IT IS NOT TO BE REPRODUCED OR TRANSMITTED IN ANY FORM OR BY ANY MEANS, ELECTRONIC OR MECHANICAL, WITHOUT THE WRITTEN PERMISSION OF ACROTECNA.