

Tolerances géométriques,  
linéaires et angulaires,  
arêtes de forme non  
définie

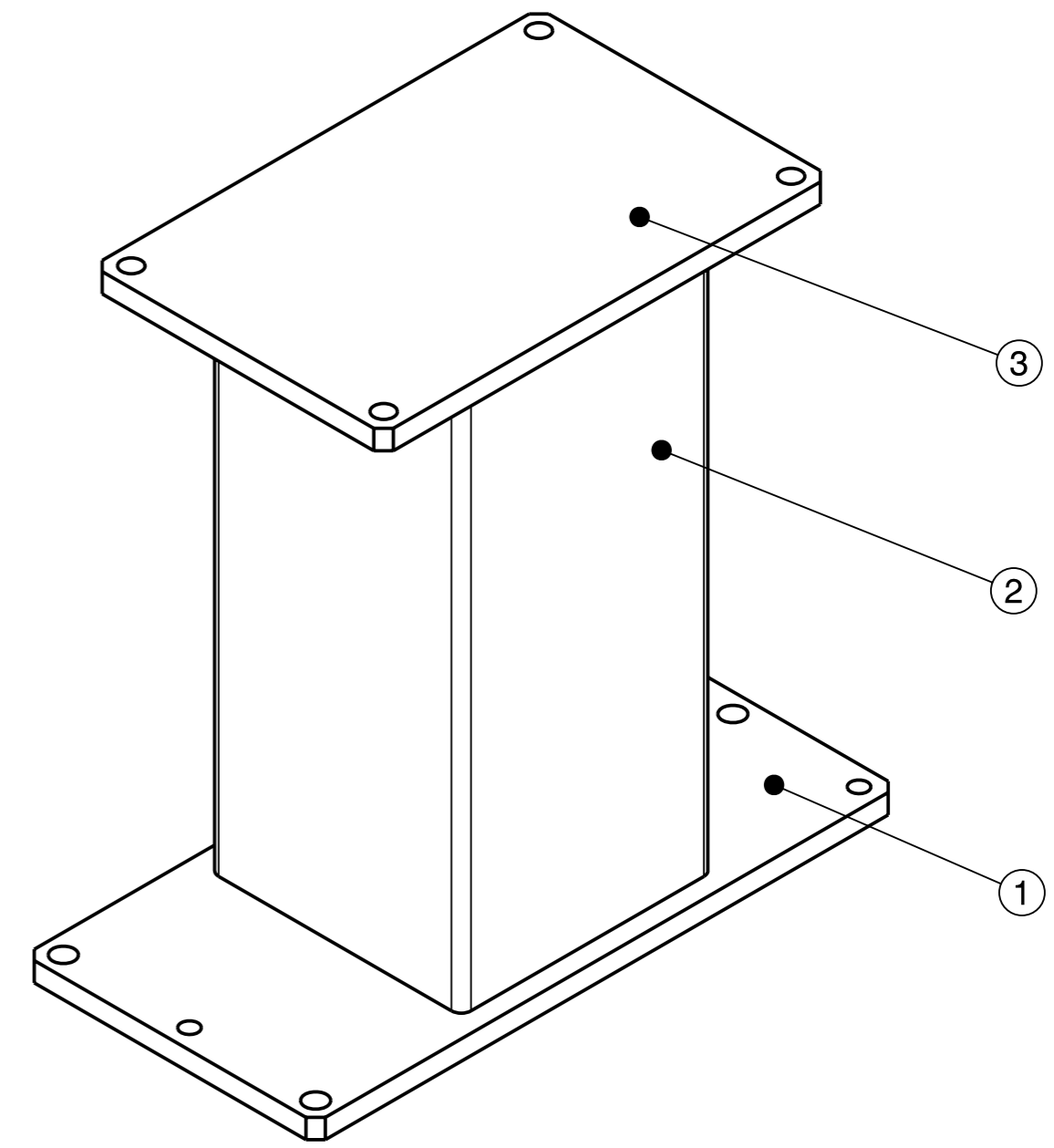
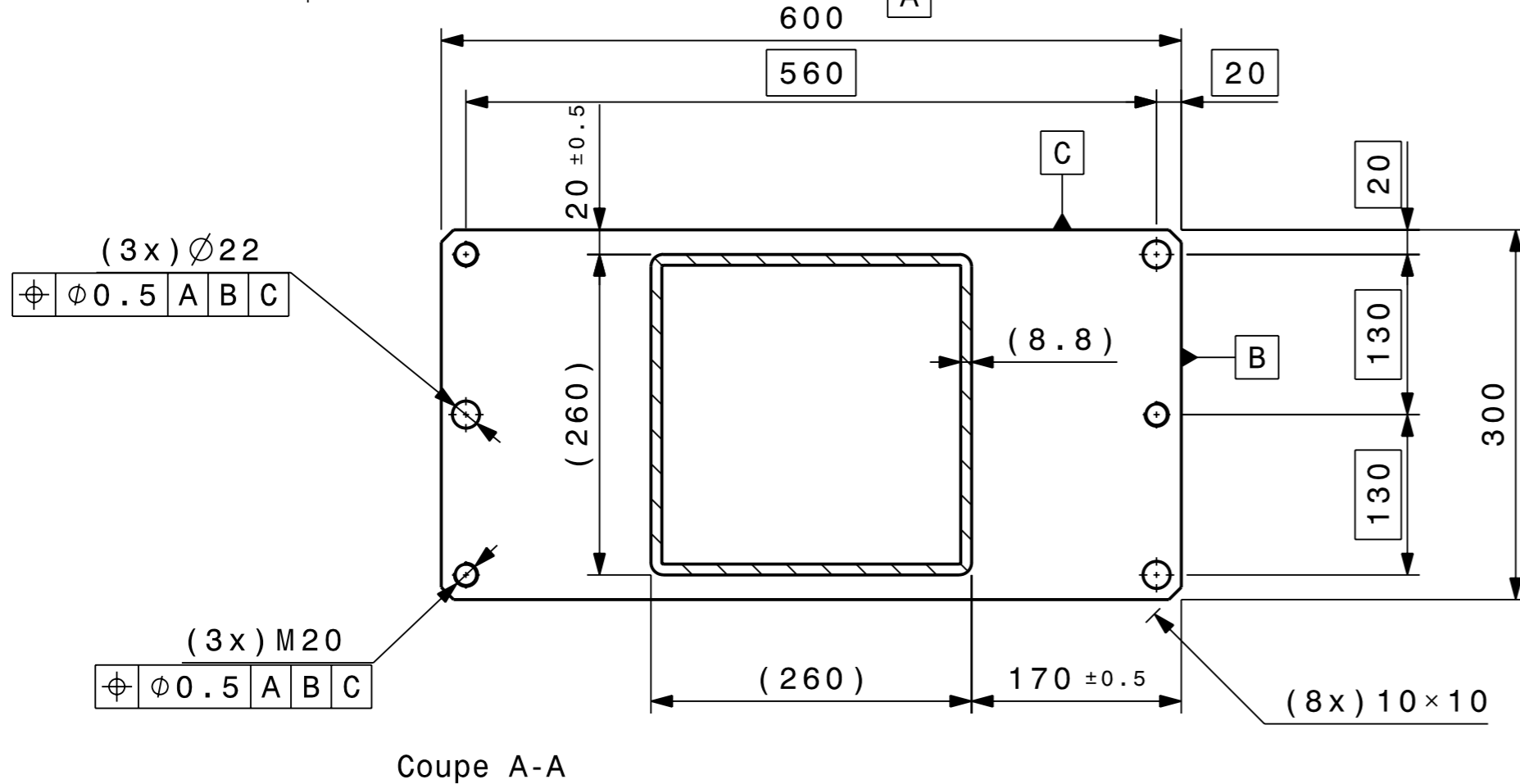
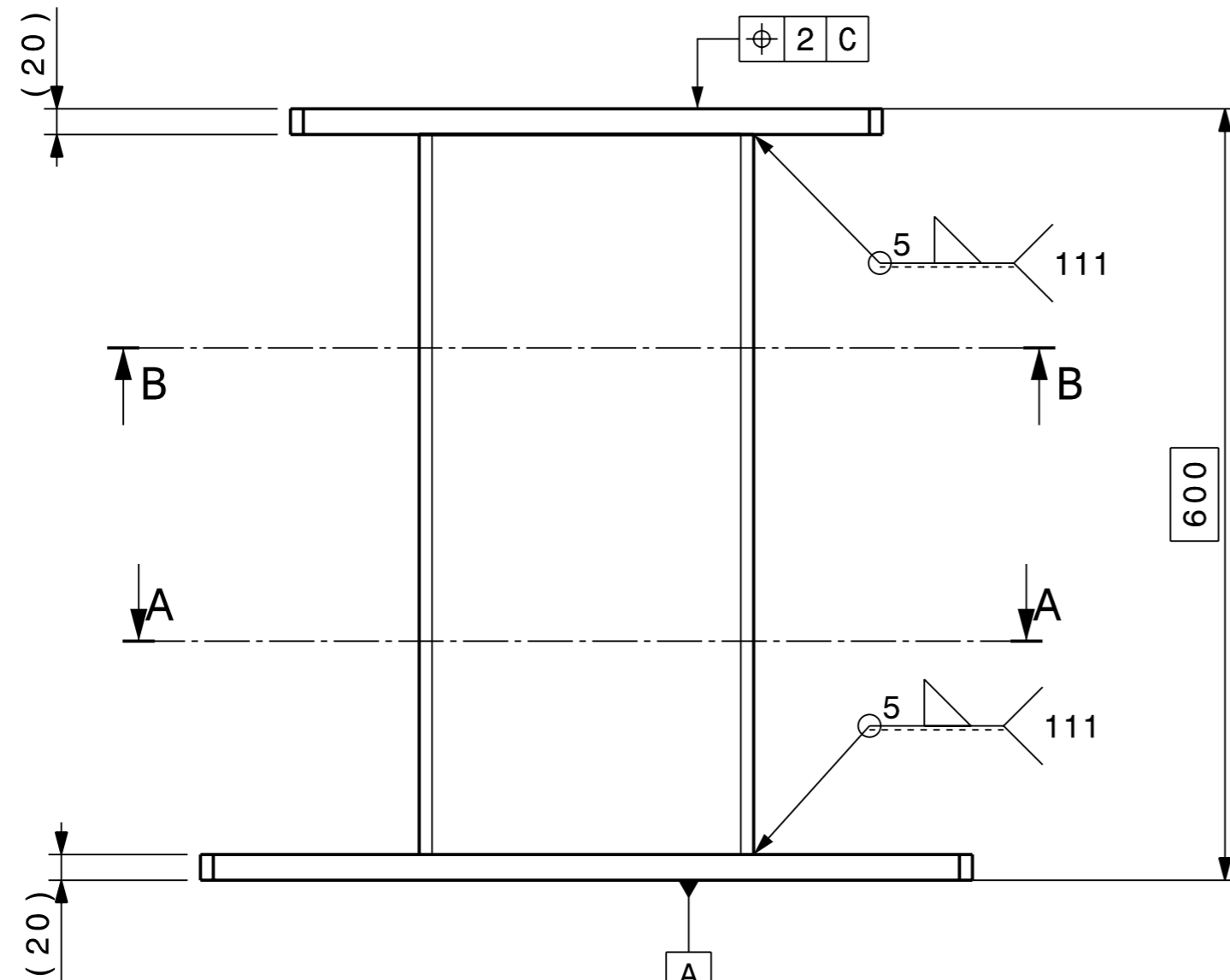
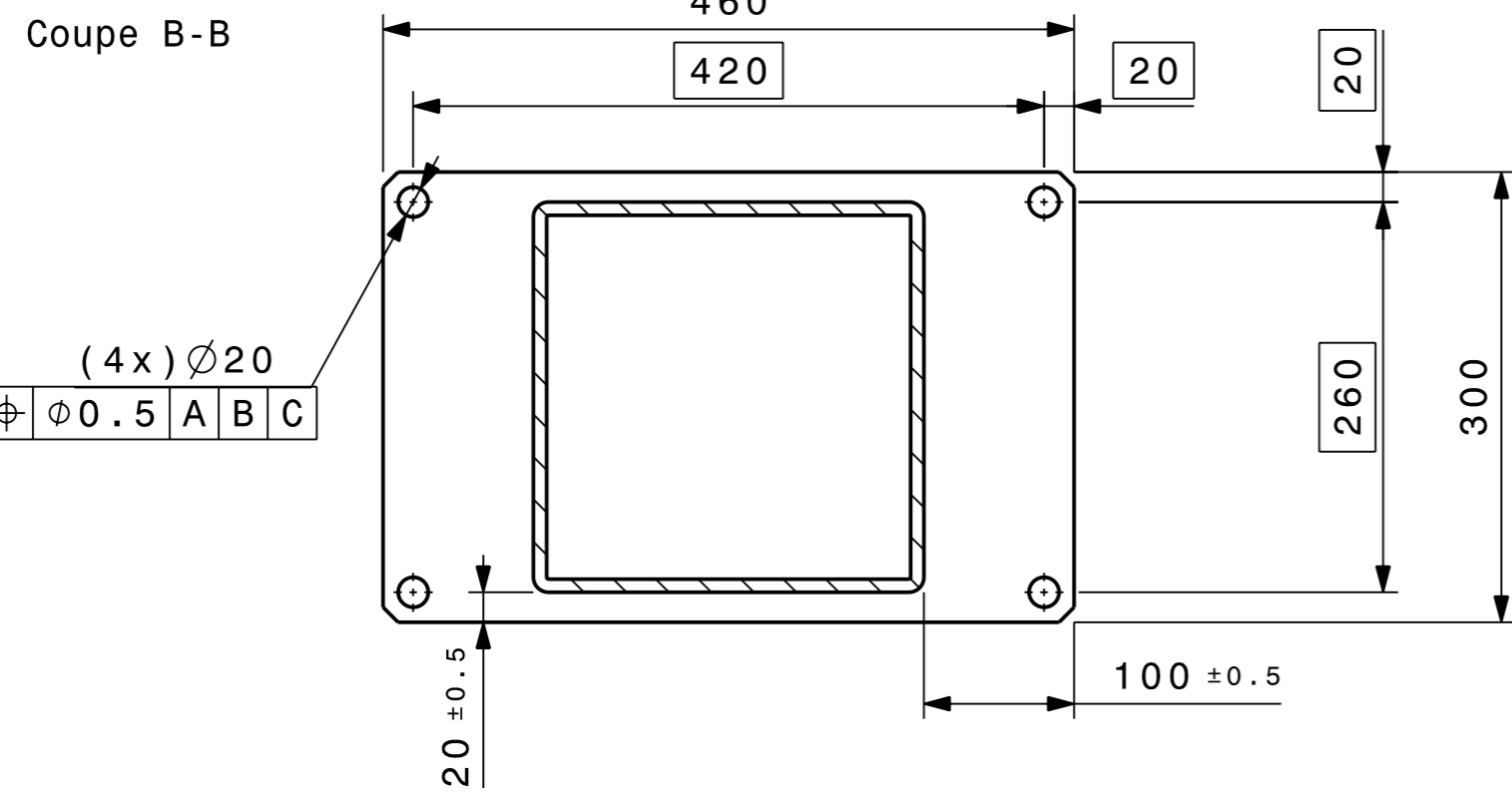
ISO 2768-mK-E  
ISO 13715

DESSIN, RUGOSITÉ, TOLERANCES  
SELON NORMES ISO  
DRAWING, RUGOSITY, TOLERANCES  
ACCORDING TO ISO STANDARDS

PROJECTION

ORGANISATION EUROPEENNE POUR  
LA RECHERCHE NUCLEAIRE  
EUROPEAN ORGANIZATION FOR NUCLEAR RESEARCH  
GENEVE

CE DESSIN NE PEUT ETRE UTILISE A DES FINS COMMERCIALES SANS AUTORISATION ECRITE  
THIS DRAWING MAY NOT BE USED FOR COMMERCIAL PURPOSES WITHOUT WRITTEN AUTHORIZATION



PROTECTION (voir spec.technique)

- Sablage
- 1 couche peinture antirouille
- 2 couches de peinture synthétique jaune chrome clair VSM 4 E 401 ,DIN (RAL) 1021

PROTECTION (see technical spec)

- Sandblasting before painting
- 1 Layer anti-rust coating
- 2 Layers of synthetic coating, clear yellow VSM 4 E 401 ,DIN (RAL) 1021

Masse: 88kg Ra3.2  
Mass

|  |                  |     |                           |                         |                                |
|--|------------------|-----|---------------------------|-------------------------|--------------------------------|
| 1  | SHEET TH. 20mm   | 3   | STEEL                     |                         | 44.43.32                       |
|  |                  |     | S235JR                    |                         | 020.9                          |
| 1  | TUBE 260x260x8.8 | 2   | STEEL Fe 430D             |                         |                                |
|  | TUBE 260x260x8.8 |     | ACIER Fe 430D DAVUM ACIER |                         |                                |
| 1  | SHEET TH. 20mm   | 1   | STEEL                     |                         | 44.43.32                       |
|  |                  |     | S235JR                    |                         | 020.9                          |
| QUANT.   | DESCRIPTION      | POS | MAT.                      | OBSERVATIONS            | REF. CERN                      |
|  | ENS/ASS          |     | S.ENS/S.ASS               |                         |                                |
| Mechanics, Supports and Handling - Beam                |                  |     |                           | ECHELLE<br>SCALE        | DES/DRA. N. CHRITIN 2007-06-21 |
| GIRDER PILLAR<br>H 600 MM<br>PILIER POUTRE<br>H 600 MM |                  |     |                           | 1:5                     | CONTROLLED                     |
|  |                  |     |                           |                         | RELEASED                       |
|  |                  |     |                           |                         | APPROVED                       |
|  |                  |     |                           | CTF\HBEAMO\CTFHBEAM0068 |                                |
|  |                  |     |                           | REPLACE/REPLACES        |                                |
| NON VALABLE POUR EXECUTION<br>NOT VALID FOR EXECUTION  |                  |     | QAC                       | CTFHBEAM0068            | SIZE IND. 2                    |