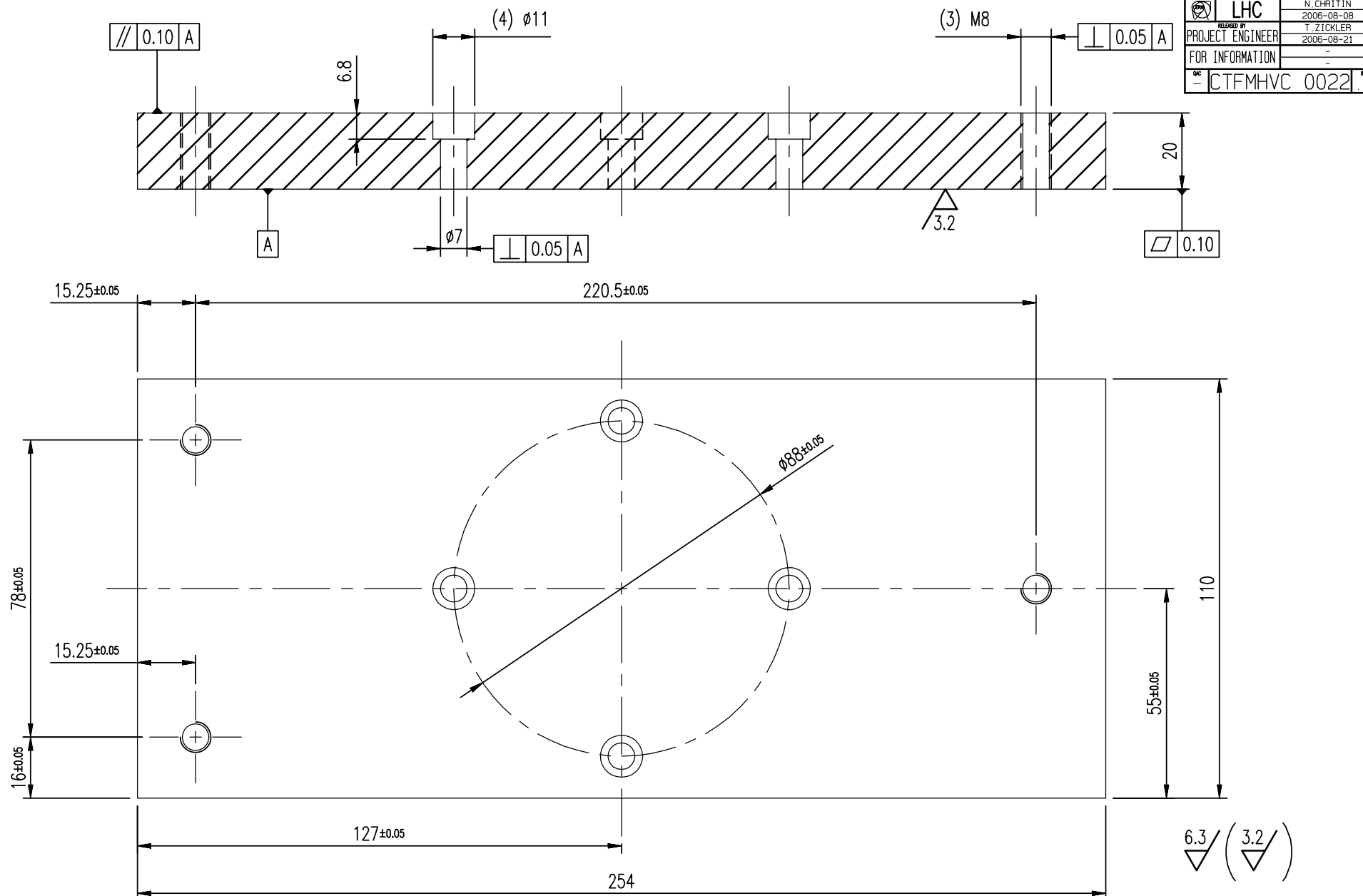



Este documento no podrá ser copiado o entregado a terceros sin el permiso escrito de ANTEC.S.A.
This document must not be copied or given to third party without the written permission of ANTEC.S.A.



| | | |
|------------------|--------------|------------|
| LHC | | N. CHRITIN |
| PROJECT ENGINEER | | 2006-08-08 |
| FOR INFORMATION | | T. ZICKLER |
| | | 2006-08-21 |
| OC | CTFMHVC 0022 | NO |

| MODIFICACIONES / REVISIONS | APR. / APP. | INDICE / ISSUE | FECHA / DATE | Fecha/Date | Material / Material | Mecanizado general |  <small>APLICACION NUEVAS TECNOLOGIAS ANTEC S.A.</small> |
|----------------------------|-------------|----------------|--------------|---------------|---------------------|--------------------------------|--------------------------------------------------------------------------------------------------------------------------------------------------|
| | | A | | 29-07-04 | ALUMINIO 6082 | General machining | |
| | | B | | 1:1 | | Matar aristas de Sharp corners | |
| | | C | | Dibujó | | Radius sin cota | N° CTF3-012-00-013-3 |
| | | D | | Drawn by R.I. | | Radius without size | |
| | | E | | Revisó | | | Código / Code |
| | | F | | Checked R.I. | | | |
| | | G | | Comprobó | | | Sustituye a Substitute to |
| | | H | | Approved | | | |

SQUARE CORRECTOR
BASE PLATE