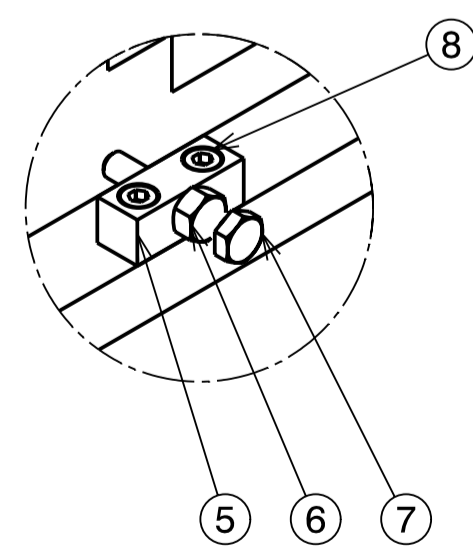


Détail A



QUANT.	DESCRIPTION	POS	MAT.	OBSERVATIONS	REF. CERN																																																
3	PLAIN WASHER M8	17	X2 Cr Ni 18.12		47.78.15																																																
	RONDELLE M8				008.8																																																
	HEX. SCKT. HEAD CAP SCREW M8x30		STAINLESS STEEL		47.62.71																																																
3	VIS CHC M8x30	16	ACTIER INOX		311.3																																																
6	SPHERICAL WASHER M16	15	HARD. STEEL		47.78.12																																																
	RONDELLE SPHERIQUE M16		ACTIER DUR		816.6																																																
9	HEXAGONAL NUT 0.8d M16	14	ST. STEEL 18.12		47.43.77																																																
	ECROU H 0.8d M16		AC. INOX 18.12		160.4																																																
3	IN. STEEL THR. RODS M16x150		STAINLESS STEEL		47.38.77																																																
	TIGE FILETEE M16x150	13	A4316		160.1																																																
1	Plain washer M10	12	St. steel 18.12		47.78.15																																																
	Rondelle plate M10		Ac. inox 18.12		010.4																																																
1	INOX HEX. SCR. A4 316 M10x35	11			47.62.82																																																
	VIS HEX. INOX A4 316 M10x35				362.3																																																
3	SOCKET HEAD SCREW M8 x 35	10	ST. STEEL A4-70		47.62.71																																																
	VIS CHC M8 x 35		AC. INOX A4-70		312.2																																																
3		9																																																			
16	SOCKET HEAD SCREW M6x20	8	ST. STEEL		47.62.71																																																
	VIS CHC M6x20		AC. INOX		258.1																																																
8	HEXAGONAL NUTS M8	7	X2 Cr Ni 18.12		47.43.77																																																
	ECROU HEXAGONAL M8		ACTIER INOX		080.3																																																
8	HEXAGONAL HEAD SCREW M8x45	6	ST. STEEL		47.62.82																																																
	VIS A TETE HEXAGONALE M8x45		AC. INOX		314.1																																																
8	TCM ASSEMBLY - FLAT BAR FOR ADJUSTMENT			CTFBTCM_0003																																																	
8	ENSEMBLE TCM - MEPLAT POUR REGLAGE	5																																																			
1	SUPPORT ASSEMBLY QL-QS - ALIGNMENT GIG SUPPORT			CTFMQUA_0025																																																	
1	ENSEMBLE SUPPORT QL-QS - SUPPORT DE MIRE	4																																																			
1	QD QUADRUPOLE SUPPORT - BASE PLATE			CTFMQUA_0187																																																	
	SUPPORT QUADRUPOLE QD - PLAQUE DE BASE	3																																																			
1	QD QUADRUPOLE SUPPORT - INTERMEDIARY PLATE			CTFMQUA_0188																																																	
	SUPPORT QUADRUPOLE QD - PLAQUE INTERMEDIAIRE	2																																																			
1	QD SUPPORT ASSEMBLY - FOOT			CTFMQUA_0190																																																	
	ENSEMBLE SUPPORT QD - PIED	1																																																			
<table border="1"> <thead> <tr> <th>ENS/ASS</th> <th>CTFLSDB /PB_0001</th> <th>S.ENS/S..ASS</th> <th>CTFMQUA_00186</th> </tr> </thead> <tbody> <tr> <td colspan="4">CTF3 MAGNET QUADRUPOLE</td> </tr> <tr> <td colspan="4">QUADRUPOLE Q</td> </tr> <tr> <td colspan="4">QD SUPPORT ASSEMBLY</td> </tr> <tr> <td colspan="4">QUADRUPOLE Q</td> </tr> <tr> <td colspan="4">ENSEMBLE SUPPORT QD</td> </tr> </tbody> </table>					ENS/ASS	CTFLSDB /PB_0001	S.ENS/S..ASS	CTFMQUA_00186	CTF3 MAGNET QUADRUPOLE				QUADRUPOLE Q				QD SUPPORT ASSEMBLY				QUADRUPOLE Q				ENSEMBLE SUPPORT QD				<table border="1"> <thead> <tr> <th>ECHELLE</th> <th>DES/DRA.</th> <th>B. FAVRAT</th> <th>2007-04-12</th> </tr> </thead> <tbody> <tr> <td>SCALE</td> <td>CONTROLLED</td> <td></td> <td></td> </tr> <tr> <td>1:5</td> <td>RELEASED</td> <td></td> <td></td> </tr> <tr> <td></td> <td>APPROVED</td> <td></td> <td></td> </tr> <tr> <td colspan="4">CTF\MQUA_0\CTFMQUA_0189</td> </tr> <tr> <td colspan="4">REPLACE/REPLACES</td> </tr> </tbody> </table>	ECHELLE	DES/DRA.	B. FAVRAT	2007-04-12	SCALE	CONTROLLED			1:5	RELEASED				APPROVED			CTF\MQUA_0\CTFMQUA_0189				REPLACE/REPLACES			
ENS/ASS	CTFLSDB /PB_0001	S.ENS/S..ASS	CTFMQUA_00186																																																		
CTF3 MAGNET QUADRUPOLE																																																					
QUADRUPOLE Q																																																					
QD SUPPORT ASSEMBLY																																																					
QUADRUPOLE Q																																																					
ENSEMBLE SUPPORT QD																																																					
ECHELLE	DES/DRA.	B. FAVRAT	2007-04-12																																																		
SCALE	CONTROLLED																																																				
1:5	RELEASED																																																				
	APPROVED																																																				
CTF\MQUA_0\CTFMQUA_0189																																																					
REPLACE/REPLACES																																																					
NON VALABLE POUR EXECUTION					<table border="1"> <thead> <tr> <th>SIZE</th> <th>IND.</th> </tr> </thead> <tbody> <tr> <td>1</td> <td></td> </tr> </tbody> </table>	SIZE	IND.	1																																													
SIZE	IND.																																																				
1																																																					

DESIGNED BY: ...
 DRAWING NO: ...
 EUROPEAN ORGANIZATION FOR NUCLEAR RESEARCH
 CERN
 THIS DOCUMENT IS NOT TO BE USED FOR COMMERCIAL PURPOSES WITHOUT WRITTEN AUTHORIZATION