

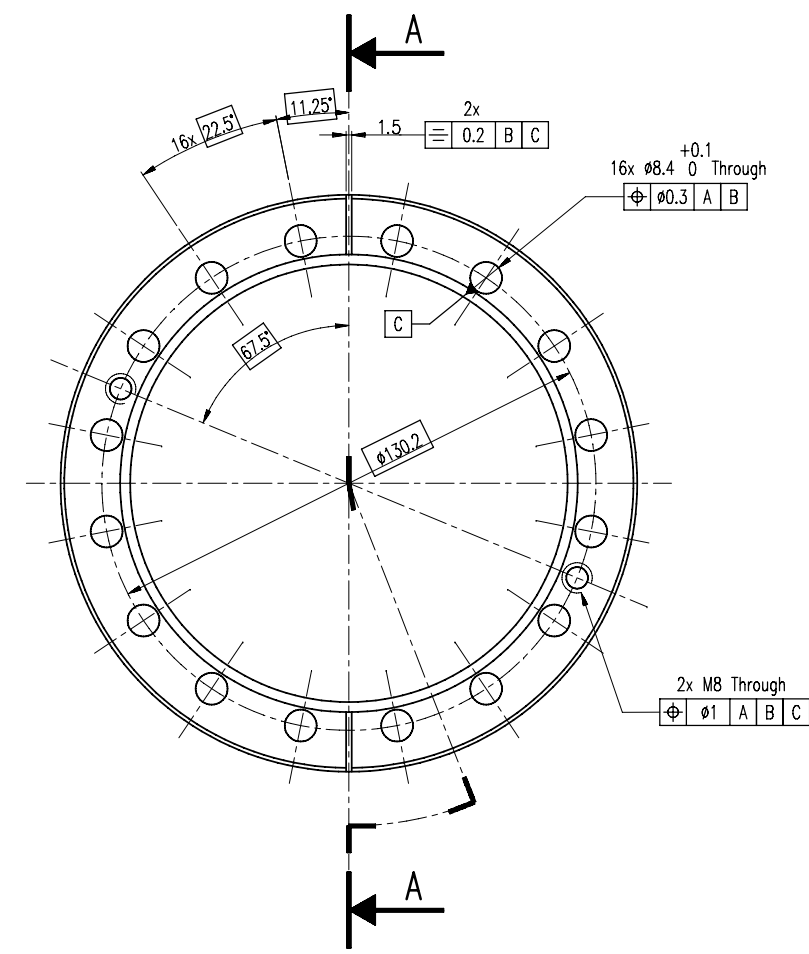
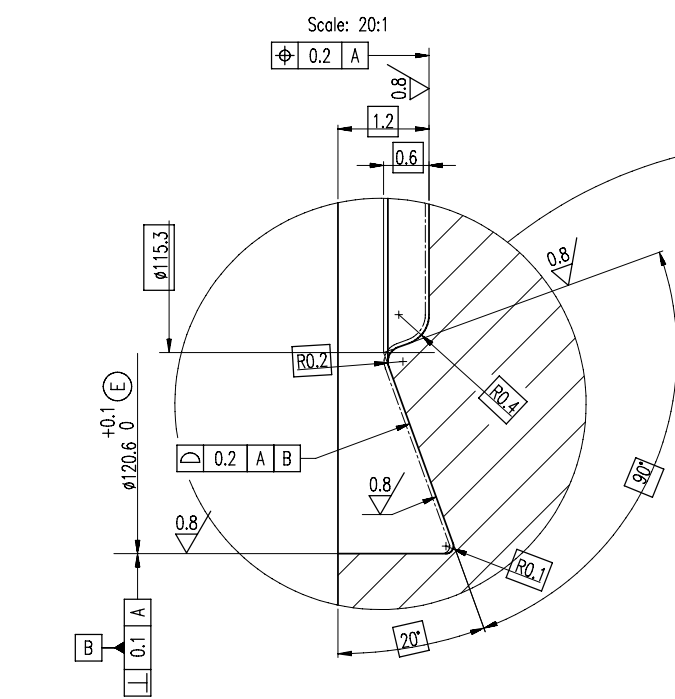
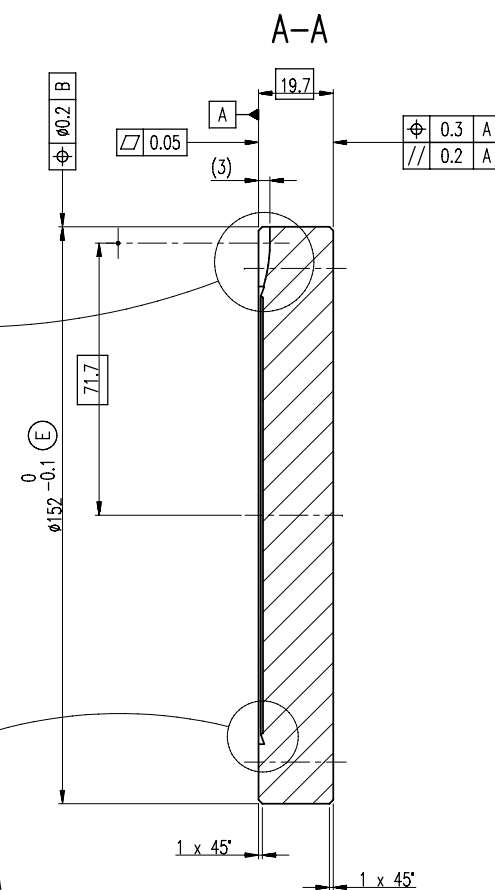
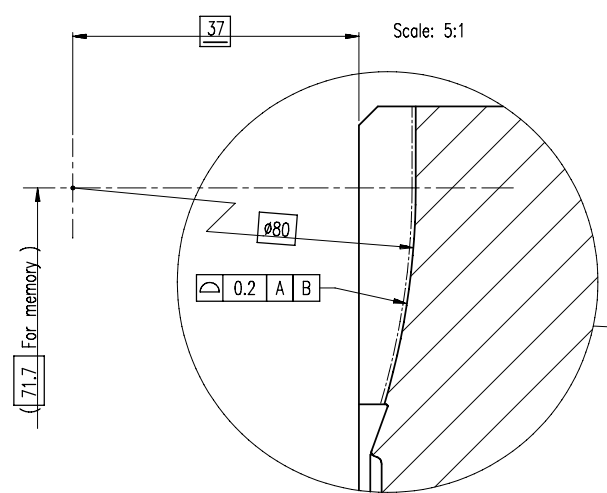
DIMENSIONAL TOLERANCES  
 USE UNLESS OTHERWISE SPECIFIED  
 DIMENSIONAL TOLERANCES  
 USE UNLESS OTHERWISE SPECIFIED  
 DIMENSIONAL TOLERANCES  
 USE UNLESS OTHERWISE SPECIFIED

DESSIN, RUGOSITE, TOLERANCES  
 SELON NORMES ISO  
 DRAWING, RUGOSITY, TOLERANCES  
 ACCORDING TO ISO STANDARDS

PRODUCTION

ORGANISACION EUROPEA PARA  
 LA RECERCA EN FISICA NUCLEAR  
 EUROPEAN ORGANIZATION FOR  
 NUCLEAR RESEARCH

Ce dessin ne peut être utilisé à des fins commerciales sans autorisation écrite  
 This drawing may not be used for commercial purposes without written authorization



GENERAL TOLERANCES according ISO standard 2768-m

Mass  $\approx$  2.7 Kg

1.6 / [ 0.8 ]

QUANT.	DESCRIPTION	POS.	MAT.	OBSERVATIONS	REF.CERN
	Forged blanks			STDVUFHV0001 Pos.3	
	ENS/ASS		S.ENS/S.ASS		
STANDARD MATERIAL				ECHELLE	DES/DRA.
UHV FLANGE				SCALE:	ACROTECNA
FIXED 152/100 SCEM 18.60.18.015.1				1:1	1996-09-26
				5:1	CONTROLLED
				20:1	G. FOFFANO
					2000-09-14
					RELEASED
					P. BOURGUIN
					2000-09-14
					APPROVED
					STDVUFHV0009
					REPLACE/REPLACES
RELEASED BY		FOR	GAC	IND.	
PROJECT ENGINEER		PRODUCTION	B	STDVUFHV0009 2 A	

IND.	DATE	NOM/NAME	ZONE	MODIFICATION
A	2000-06-15	ACROTECNA		UPDATE FOR ISO NORM