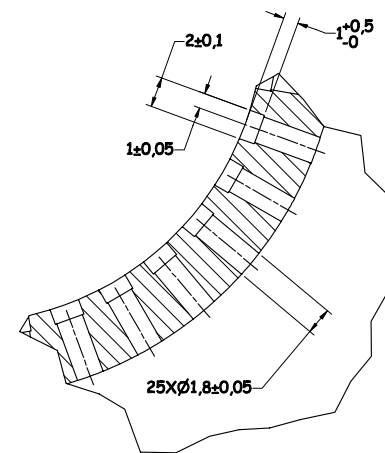
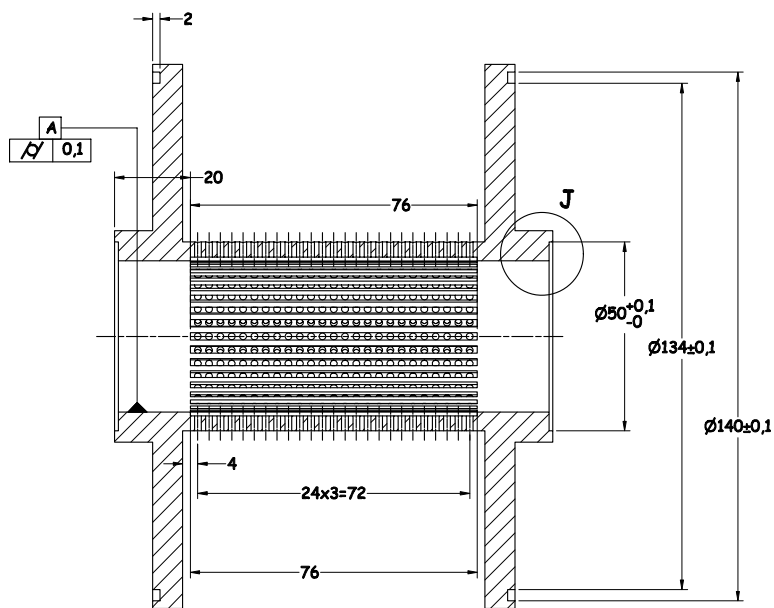


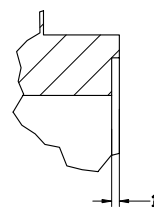
E-E (1:1)



F (4:1)



D-D (1:1)



J (2:1)

- NOTES:
- 1) ALL MACHININGS MUST BE DONE AS SPECIFIED BY DOCUMENT N° CTF3-115-SP-A
  - 2) ALL INTERNAL SURFACES TO HAVE ROUGHNESS BETTER THAN 0.8 MICRON
  - 3) ALL EXTERNAL SURFACES TO HAVE ROUGHNESS BETTER THAN 3.2 MICRON
  - 4) GENERAL TOLERANCES = ± 0.3 mm

|  |               |          |            |   |  |            |
|--|---------------|----------|------------|---|--|------------|
|  |               |          |            | NATIONAL INSTITUTE OF NUCLEAR PHYSICS<br>FRASCATI NATIONAL LABORATORY |  |            |
| CTF3-115-000                           |               |          |            | 1   |  |            |
| FINISH                                 | NEXT ASSY DWG | QUANT.   | NOTE       |   |  |            |
| GENERAL TOLERANCES UNI EN 22769-1:2003 |               |          |            |   |  |            |
| 14/08/2006                             | ANT6082T6     |          | 1:1        |   |  |            |
| DATE                                   | MATERIAL      | WEIGHT   | SCALE      |   |  |            |
| VACUUM                                 | DIAGNOSTIC    | ACC.PHY. | ELEC. ENG. |   |  |            |
| QUALITY ASSURANCE                      |               |          |            |   |  |            |
| G. FONTANA                             |               |          |            | A2  |  | DRAWING N. |
| DRAFTER                                | DESIGNER      | ENGINEER | APPROVAL   | Foglio N.   |  | REV        |
|  |               |          |            | CTF3-115-002  |  | A          |