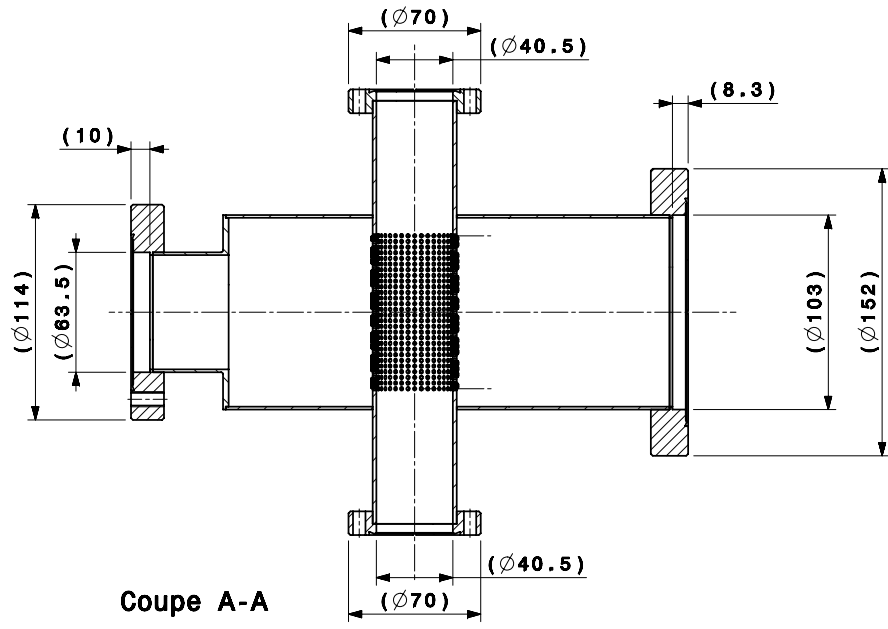
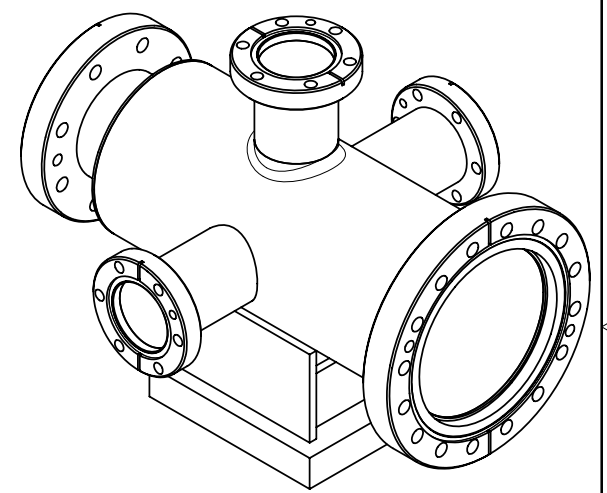
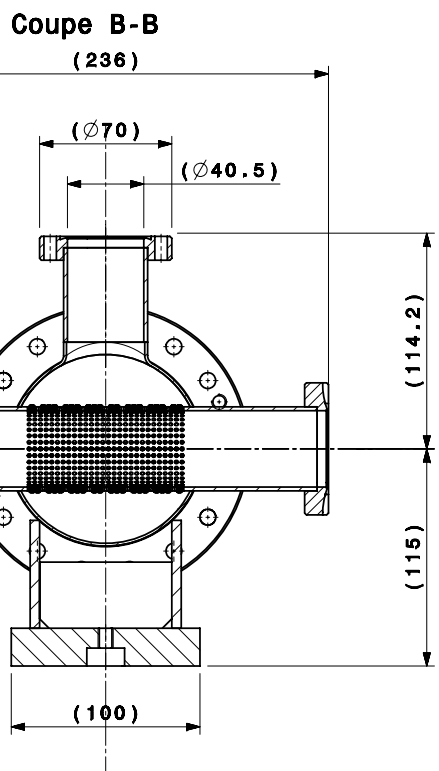
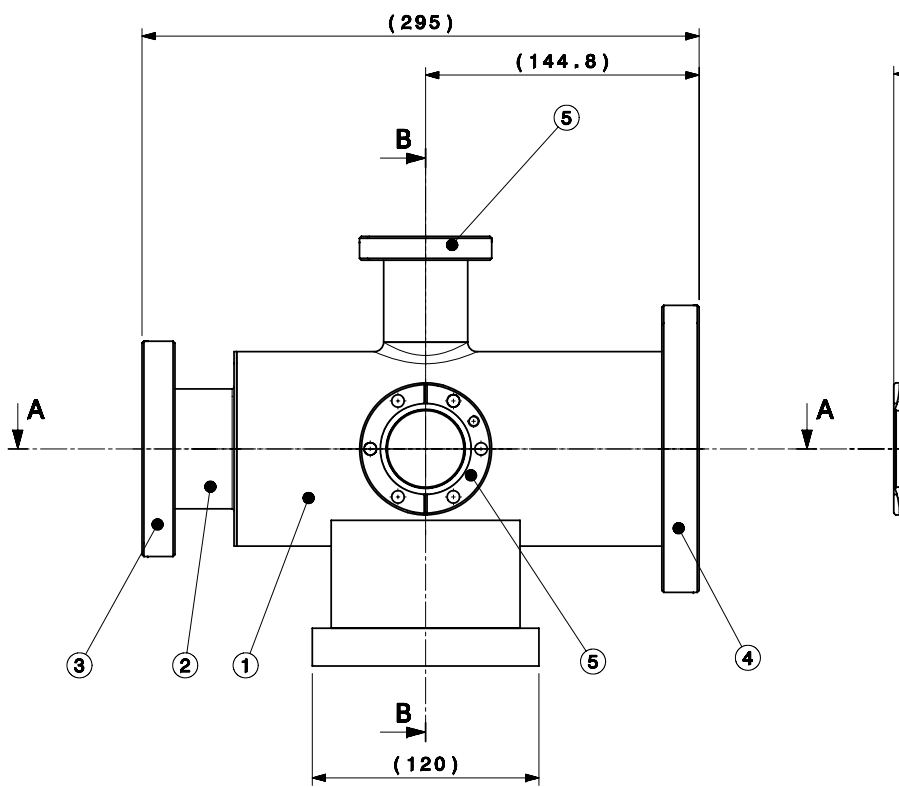


Dimensiones normalizadas. ISO 2768-MK-E  
 Dimensiones normalizadas. ISO 13715  
 Dimensiones de forma non definitas

DESTINADO PARA LAS FABRICACIONES DE  
 COMPONENTES DE LOS SISTEMAS DE  
 REACTORES NUCLEARES DE ALTA  
 PRESION DE ACORDO CON EL  
 ESTANDAR ISO 10000

PROHIBIDA LA REPRODUCCION DE ESTE DISEÑO SIN LA AUTORIZACION DE LA COMISION EUROPEA DE ENERGIA ATOMICA

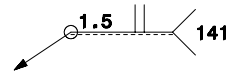
COMMISSION EUROPEENNE POUR LA RECHERCHE NUCLEAIRE  
 EUROPEAN ORGANIZATION FOR NUCLEAR RESEARCH  
 CELESTINS  
 13000 ST. JULIEN EN GUYANE  
 FRA  
 THIS DRAWING MAY NOT BE USED FOR COMMERCIAL PURPOSES WITHOUT WRITTEN AUTHORIZATION



All welds must be made using the specified techniques with 100% penetration. Welds and all other surfaces must not be finished by grinding or any other mechanical abrasion. Any part (or component) of the vacuum system showing a mean temperature calculated leak rate (localized or global), when measured with a calibrated IGH leak detector, in excess of 1.0<sub>10-11</sub> Pa.m<sup>3</sup>.s<sup>-1</sup> (1.0<sub>10-10</sub> mbar.l.a.s<sup>-1</sup>) will be considered as unacceptable.

1. Component fabrication (depressing and welding).  
 2. Inspect drawing number on shaded area with an electrical pen.  
 3. Leak detection, the test report has to be supplied to the AT Vacuum Group.  
 4. IGH cleaning according to GEM report "procédure qualité": 007.11 (for Stainless steel) or 007.12 (for aluminum and copper). SEM reference number 700054.

Masse: 7kg  
 Mass



QUANT.	DESCRIPTION	POS	MAT.	OBSERVATIONS	REF. CERN
3	FIXED UNV FLANGE 14070 - FOR TUBE 140/103/114.5	6		STDVFIHV0155	
1	FIXED UNV FLANGE 152 - FOR TUBE 100/103	4		STDVFIHV0052	
1	FIXED UNV FLANGE DIA. 114 FOR TUBE DIA. 60.5/68.5	3		STDVFIHV0028	
1	STAINLESS STEEL PUMPING POT - TRANSITION SLEVE	2		CTFVGPUM0058	
1	POT DE POMPAGE INOX - ENDOIT DE REDUCTION	2		CTFVGPUM0058	
1	STAINLESS STEEL PUMPING POT - BODY PUMP	1		CTFVGPUM0053	
1	POT DE POMPAGE INOX - CORPS DE POMPE	1		CTFVGPUM0053	

ENS/ASS	CTFVGPUM0058	S.ENS/S.ASS	
CTF3 VACUUM - GENERAL PUMPING		ECHELLE	DES/DRA. B. FAVRAT 2007-08-07
STAINLESS STEEL PUMPING POT		SCALE	CONTROLLED N. CHIRITIN 2007-10-19
BODY PUMP ASSEMBLING		1:2	RELEASED R. RUBER 2007-10-19
POT DE POMPAGE INOX			APPROVED - -
CORPS DE POMPE ASSEMBLE			CTFVGPUM0058/CTFVGPUM0054
			REPLACE/REPLACES

RELEASED BY	FOR	DAC	SIZE	IND.
PROJECT ENGINEER	EXECUTION	-	2	A

A	2007-10-10	B. FAVRAT	Mise a jour tube blinde
IND.	DATE	NOM/NAME	MODIFICATION