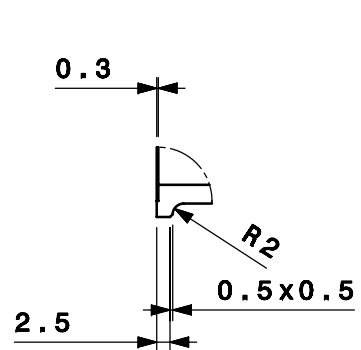
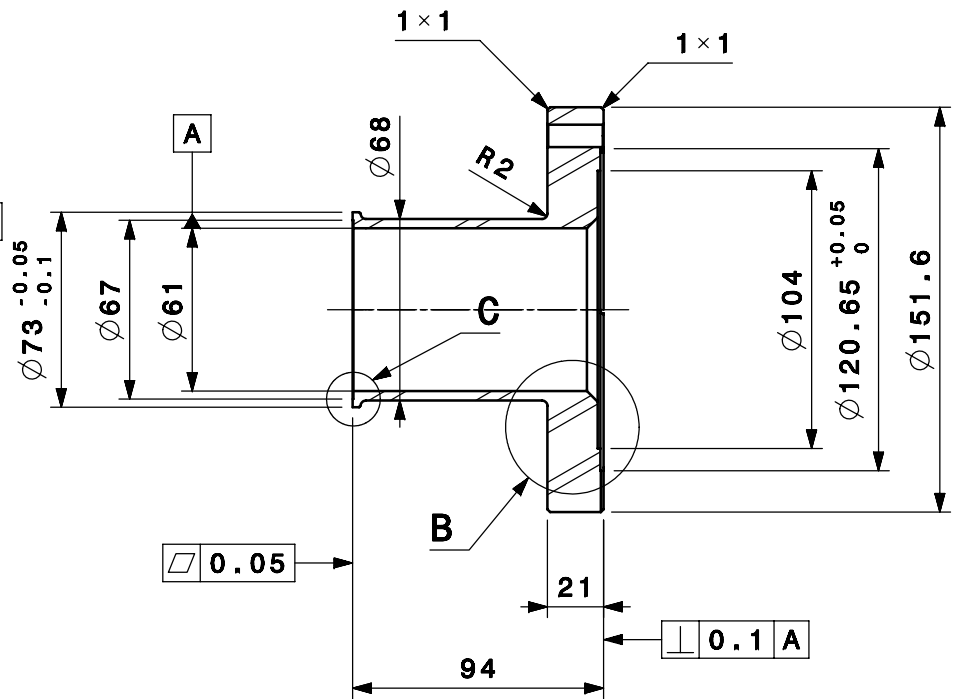
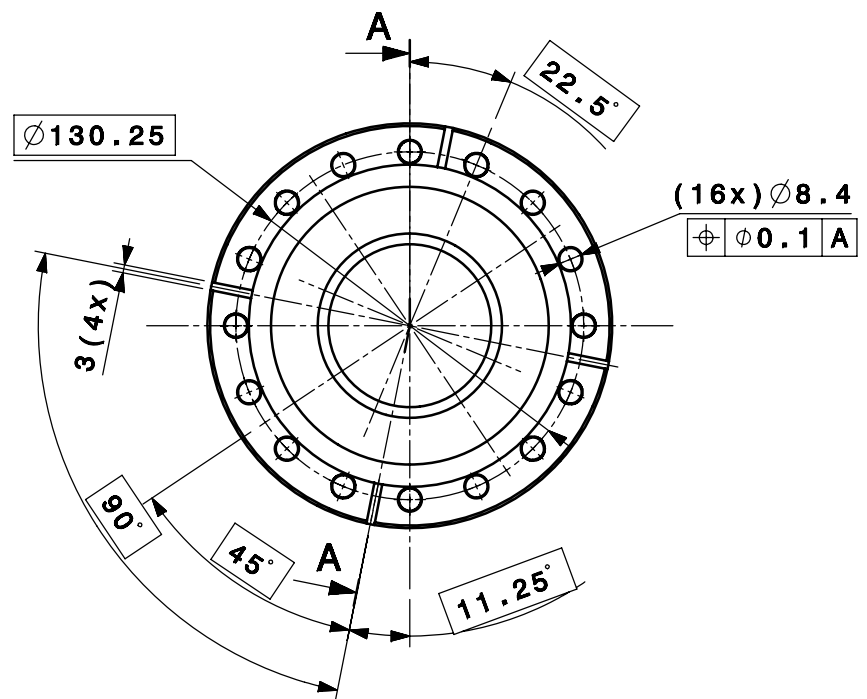


ISO 2768-mK-E  
 ISO 13715

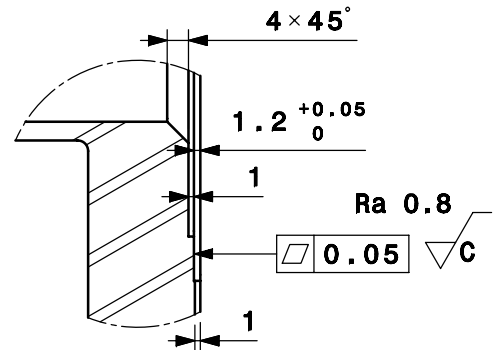
DESIGN, RUGOSITY, TOLERANCES  
 SELON NORMES ISO  
 DRAWING, RUGOSITY, TOLERANCES  
 ACCORDING TO ISO STANDARDS

PROJECTION

ORGANISATION EUROPEENNE POUR  
 LA RECHERCHE NUCLEAIRE  
 EUROPEAN ORGANIZATION FOR NUCLEAR RESEARCH  
 CERN  
 Ce dessin ne peut être utilisé à des fins commerciales sans autorisation écrite  
 This drawing may not be used for commercial purposes without written authorisation



Détail C  
 Echelle : 1:1



Détail B  
 Echelle : 1:1

Ra 3.2 (Ra 0.8) C

QUANT.	ROUND BAR D160	1	Al6082		44.02.07		
	ROND D160				160.7		
	DESCRIPTION	POS	MAT.	OBSERVATIONS	REF. CERN		
	ENS/ASS	ctfvgpum0061	s.ENS/s.ASS	ctfvgpum0060			
CTF3 VACUUM - GENERAL PUMPING				ECHELLE SCALE 1:2	DES/DRA.	B. FAVRAT	2007-09-03
MULTIPLE EXIT RECT VACUUM BODY DN100 FLANGE POT DE POMPAGE MULTI BRIDE BRIDE DN100					CONTROLLED	N. CHRITIN	2007-09-11
				RELEASED	R. RUBER	2007-09-11	
				APPROVED	-	-	
				CTF\VG PUMO\CTFVG PUM0059			
				REPLACE/REPLACES			
CERN	RELEASED BY	FOR EXECUTION	GAC	CTFVG PUM0059	SIZE	IND.	
	PROJECT ENGINEER		-		3		