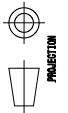
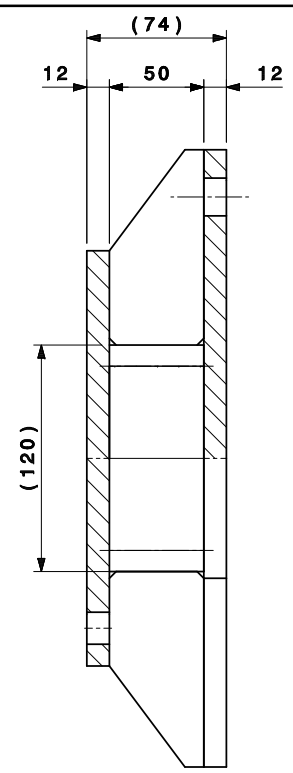
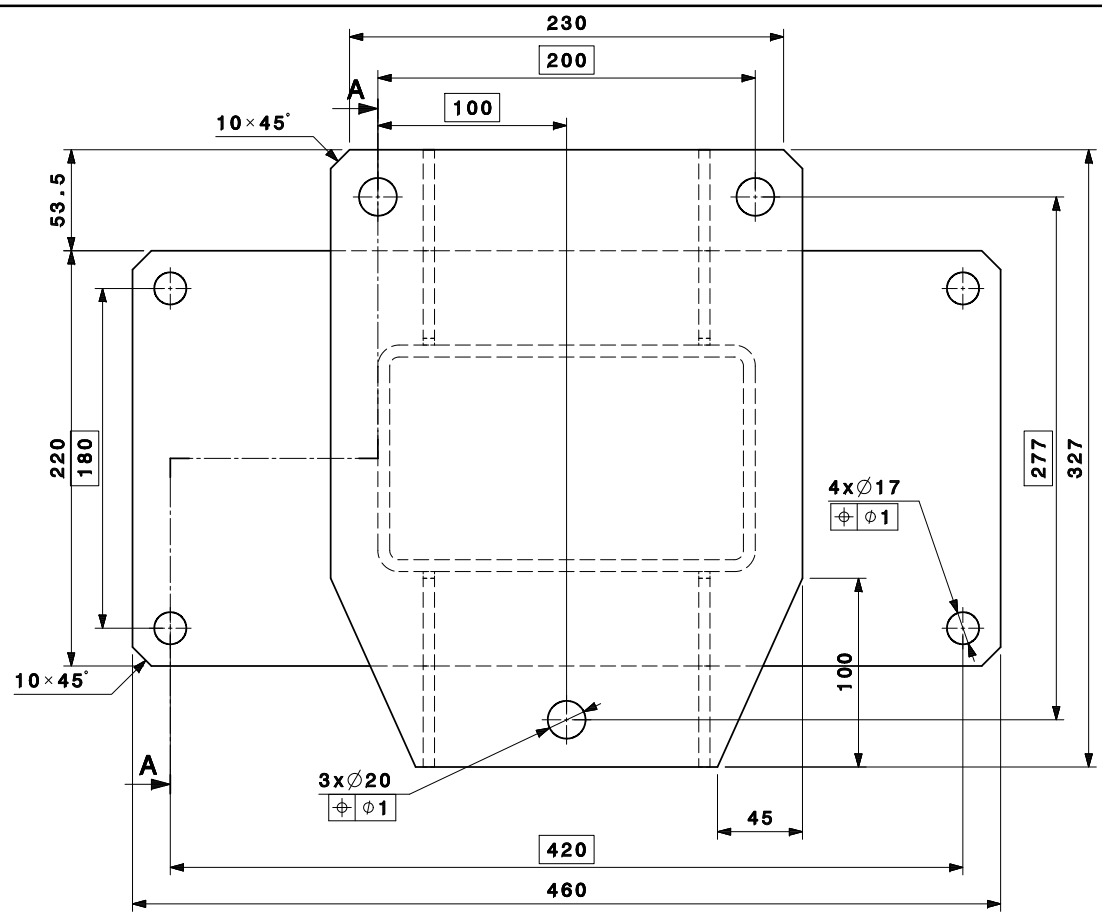


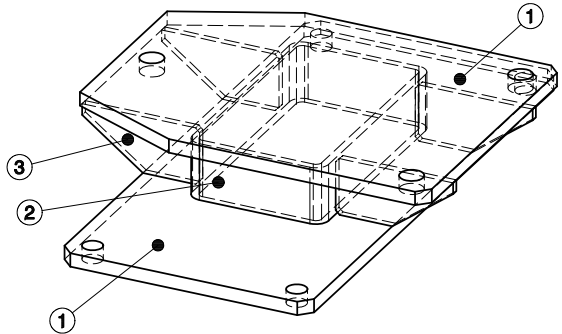
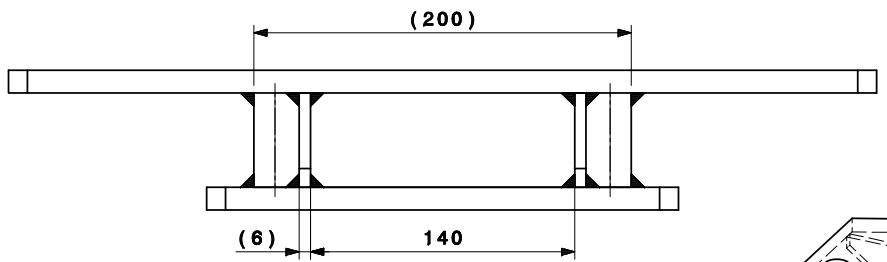
DESIGN, DIMENSIONS, TOLERANCES
DRAWING, DIMENSIONS, TOLERANCES
ACCORDING TO ISO STANDARDS



CONTRACTOR RESPONSIBLE FOR
EUROPEAN ORGANIZATION FOR NUCLEAR RESEARCH
OR 6040 IN PARIS CITY OFFICE 1 605 100 COMMERCIAL AND INDUSTRIAL SECTION
This drawing may not be used for commercial purposes without written authorization



Section view A-A



a5 nx30(50)

Mass=19kg

PROTECTION
- Sandblasting before painting
- 1 Layer anti-rust coating
- 2 Layers of synthetic coating, clear yellow RAL 1016

PROTECTION
- Sablage
- 1 couche peinture antirouille
- 2 couches de peinture synthétique jaune chrome clair RAL 1016

4	SHEET THICKNESS 6mm	3	S235.JRG2		44.43.32	
	TOLE Ep.= 6mm		S235.JRG2		006.7	
1	Tube 200x120x6.3	2	Fe430D			
2	SHEET TH: 12	1	S235JRG2		44.43.32	
					012.9	
QUA	DESCRIPTION	POS	MAT.	OBSERVATIONS	REF.CERN	
ENS/ASS CTFBIFE0001		S.ENS/S.ASS				
New Intensity Fluxbox with Energy measurement (variant A)						
LOWER SUPPORT				DES/DRA.	G. FOFFANO	2009-06-19
				CONTROLLED	N. CHRITIN	2009-06-19
SCALE 1:2				RELEASED	R. RUBER	2009-06-26
				APPROVED	-	-
				CTF\BIFEAO\CTFBIFE0008		
				REPLACES		
RELEASED BY PROJECT ENGINEER			FOR PRODUCTION		GAC -	
CTFBIFE0008					SIZE IND. 2	