

DESSIN, RUGOSITÉ, TOLERANCES  
SELON NORMES ISO  
DRAWING, RUGOSITY, TOLERANCES  
ACCORDING TO ISO STANDARDS

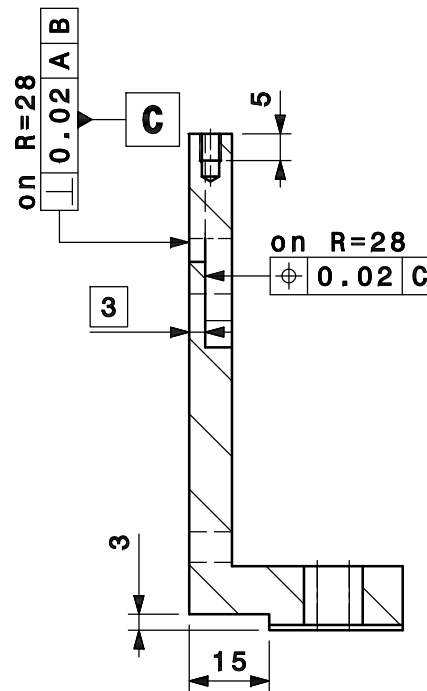
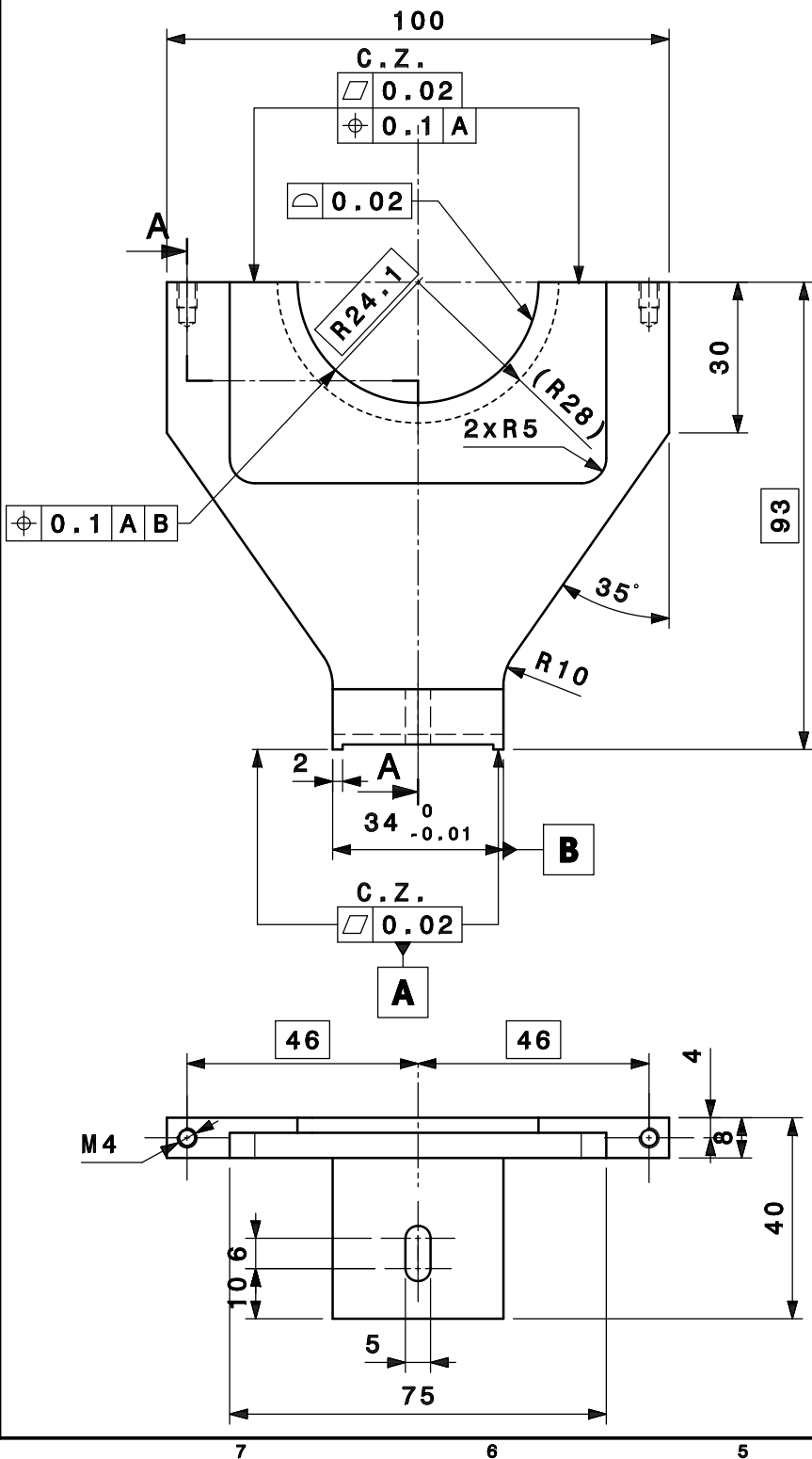


PROJECTION

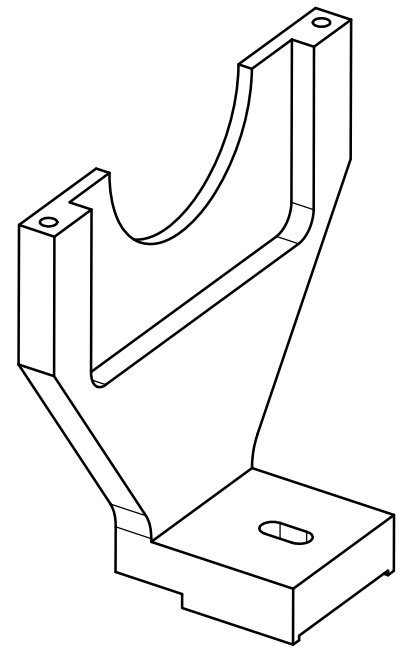
ORGANISATION EUROPEENNE POUR  
LA RECHERCHE NUCLEAIRE  
EUROPEAN ORGANIZATION FOR NUCLEAR RESEARCH  
GENEVE



Ce dessin ne peut être utilisé à des fins commerciales sans autorisation écrite  
This drawing may not be used for commercial purposes without written authorisation



Section view A-A



1		1	AW6082-T6		
QUA	DESCRIPTION	POS	MAT.	OBSERVATIONS	REF. CERN
ENS/ASS		CTFBIFEAO001		S.ENS/S.ASS	
ISO 2768-f		√ Ra 1.6		ISO 13715 $\begin{matrix} -0.3 \\ +0.3 \end{matrix}$	
Beam Intensity Flashbox with Energy measurement (variant A)				DES/DRA.	G. FOFFANO 2009-06-19
BOTTOM COIL SUPPORT				SCALE	N. CHITTIN 2009-06-19
				1:1	R. RUBER 2009-06-26
				CTF\BIFEAO\CTFBIFEAO013	
REPLACES					
RELEASED BY PROJECT ENGINEER		FOR PRODUCTION		QAC -	SIZE IND. CTFBIFEAO013 3