

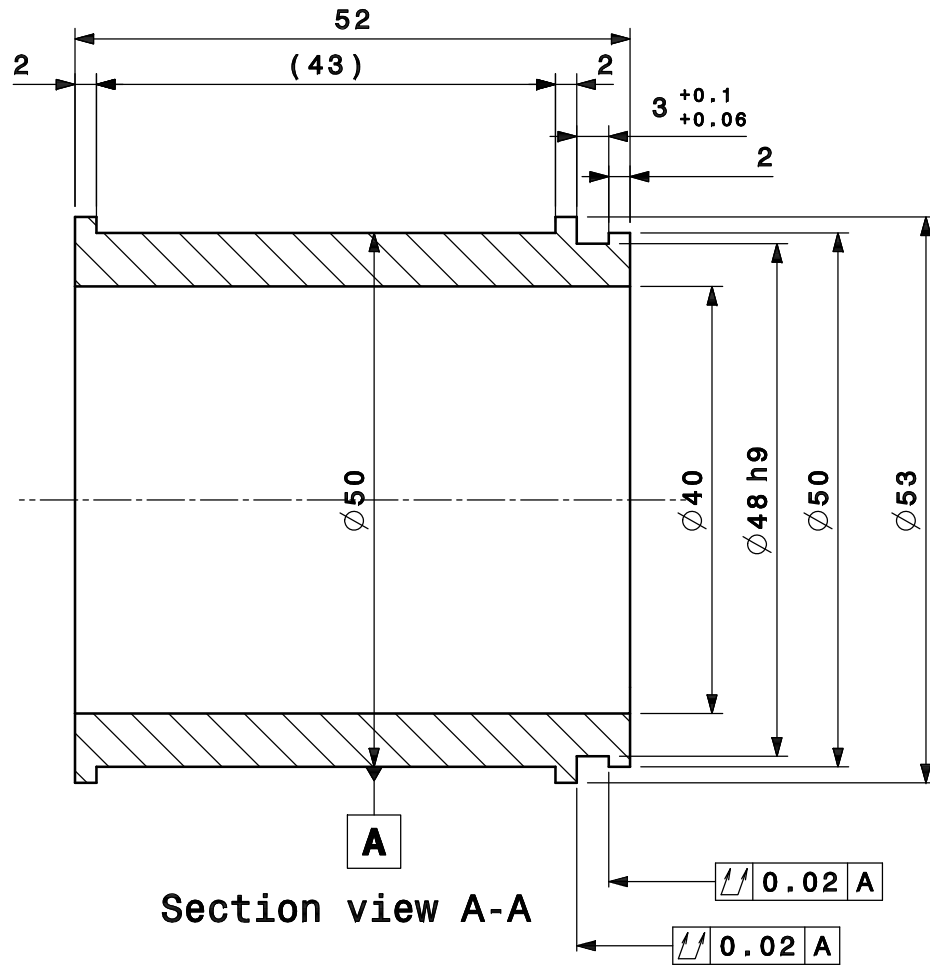
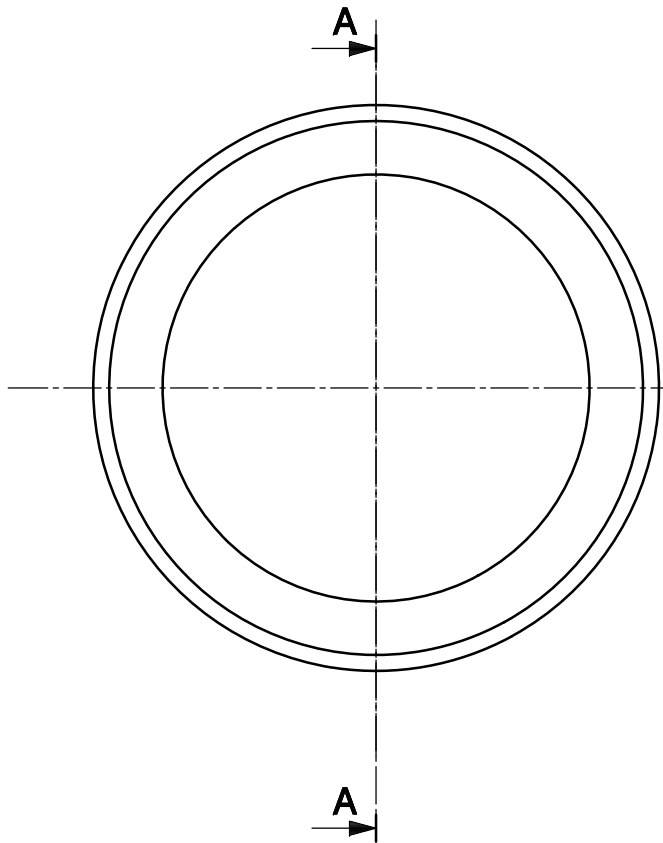
DESSIN, RUGOSITÉ, TOLERANCES  
SELON NORMES ISO  
DRAWING, RUGOSITY, TOLERANCES  
ACCORDING TO ISO STANDARDS



ORGANISATION EUROPEENNE POUR  
LA RECHERCHE NUCLEAIRE  
EUROPEAN ORGANIZATION FOR NUCLEAR RESEARCH  
GENEVE



ce dessin ne peut être utilisé à des fins commerciales sans autorisation écrite  
This drawing may not be used for commercial purposes without written authorisation



Section view A-A

1		1	Ceramic Al2O3 97-98%		
QUA	DESCRIPTION	POS	MAT.	OBSERVATIONS	REF. CERN
ENS/ASS		CTFBIFE0001		S.ENS/S.ASS	
ISO 2768-fH-E		$\sqrt{Ra\ 1.6}$		ISO 13715 $\begin{matrix} \text{---} & \text{---} \\ -0.3 & -0.02 \end{matrix}$	
Beam Intensity Flashbox with Energy measurement (variant A)				DES/DRA.	G. FOFFANO 2009-06-19
<b>ALUMINA TUBE FOR COIL</b>				SCALE	CONTROLLED N. CHITTIN 2009-06-19
				1:1	RELEASED R. RUBER 2009-06-26
				APPROVED	-
				CTF\BIFE00\CTFBIFE0015	
				REPLACES	
	RELEASED BY	FOR	QAC	<b>CTFBIFE0015</b>	SIZE
	PROJECT ENGINEER	PRODUCTION	-		3