

DIMENSIONS ON $\pm 0,01$ - $\pm 0,02$ - $\pm 0,03$ - $\pm 0,04$ - $\pm 0,05$ - $\pm 0,06$ - $\pm 0,08$ - $\pm 0,1$ - $\pm 0,15$ - $\pm 0,2$ - $\pm 0,3$ - $\pm 0,4$ - $\pm 0,5$ - $\pm 0,6$ - $\pm 0,8$ - ± 1 - $\pm 1,2$ - $\pm 1,6$ - ± 2 - $\pm 2,5$ - ± 3 - ± 4 - ± 5 - ± 6 - ± 8 - ± 10 - ± 12 - ± 16 - ± 20 - ± 25 - ± 30 - ± 40 - ± 50 - ± 60 - ± 80 - ± 100 - ± 120 - ± 150 - ± 200 - ± 250 - ± 300 - ± 400 - ± 500 - ± 600 - ± 800 - ± 1000 - ± 1200 - ± 1500 - ± 2000

GENERAL TOLERANCES
GENERALIS

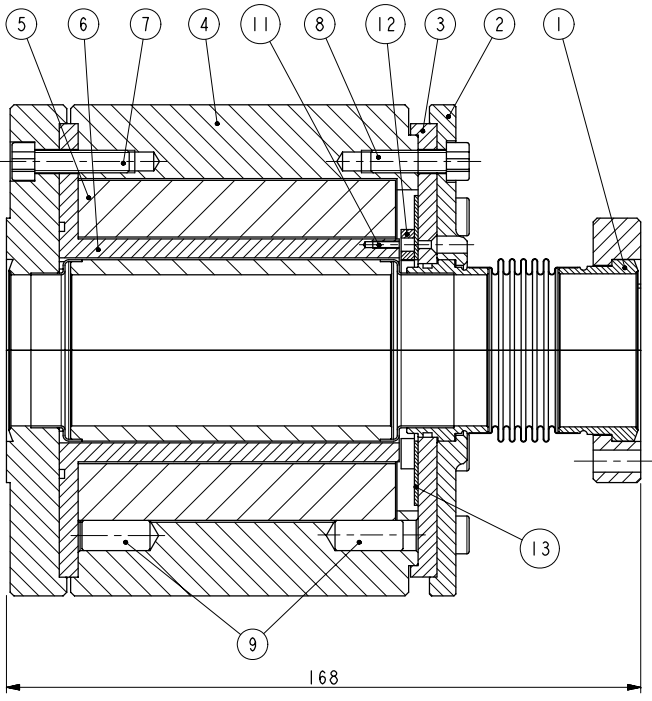
DESIGN - RIGIDITY - TOLERANCES
SELON **NF EN ISO 1101**

DRAWING - RIGIDITY - TOLERANCES
ACCORDING TO **ISO STANDARDS**

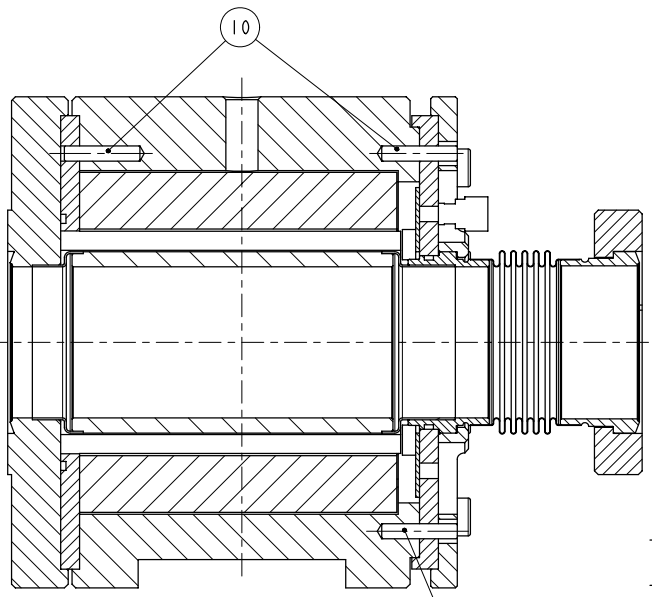
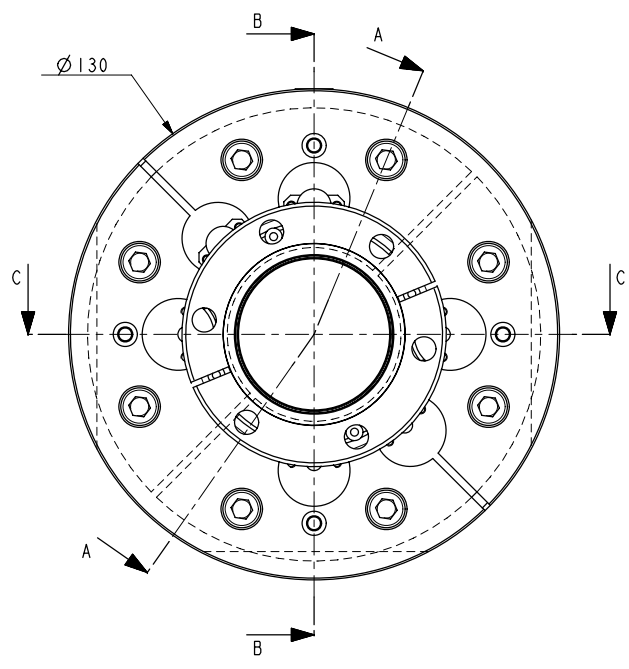
PROJECTION

ORGANIZATION ENGINEERING FOR
EUROPEAN ORGANIZATION FOR NUCLEAR RESEARCH
GENÈVE

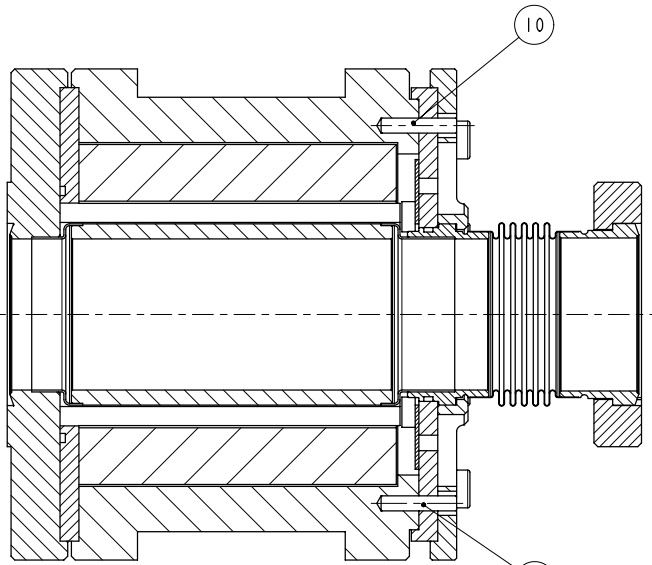
Ce dessin ne peut être utilisé à des fins commerciales sans autorisation écrite.
This drawing may not be used for commercial purposes without written authorization.



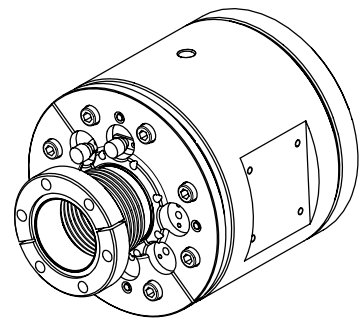
COUPE A-A



COUPE B-B



COUPE C-C



QUANT.	DESCRIPTION	POS	MAT	OBSERVATIONS	REF. CERN
1	circuit imprimé	13	-		
1	Transformateur	12	-		
8	Vis fraisee a tete fendue	11	CuBe	M2x16	
5	Goupille Ø4x20	10	Acier	Tol. h6 - BOSSARD BN 858	
4	Goupille Ø8x18	9	Acier	Tol. h6 - BOSSARD BN 858	
8	Vis CHC M6x20	8	Inox	-	-
8	Vis CHC M6x25	7	Inox	-	-
1	Electrode	6		Plan CTFBIPU_0006	
1	Ferrite	5		Plan CTFBIPU_0005	
1	Corps	4		Plan CTFBIPU_0010	
1	Entretoise	3		Plan CTFBIPU_0004	
1	Bride	2		Plan CTFBIPU_0003	
1	Chambre a vide	1		Plan CTFBIPU_0011	
ENS/ASS		S. ENS/S. ASS			
PICK-UP				ECHELLE SCALE 1:1	
PICK-UP ASSEMBLE				DES/DRA. Y. CUVET 2002-02-18	
				CONTROLLED J. LACROIX 2005-01-04	
				RELEASED M. GASIOR 2005-01-05	
				APPROVED - -	
				PICK-UP	
				REPLACE/REPLACES	
RELEASED BY PROJECT ENGINEER		FOR INFORMATION		DACC - CTFBIPU_0012 SIZE 2 INCH.	

IND.	DATE	NOM/NAME	ZONE	MODIFICATION
11				
10				
9				
8				
7				
6				
5				
4				
3				
2				
1				