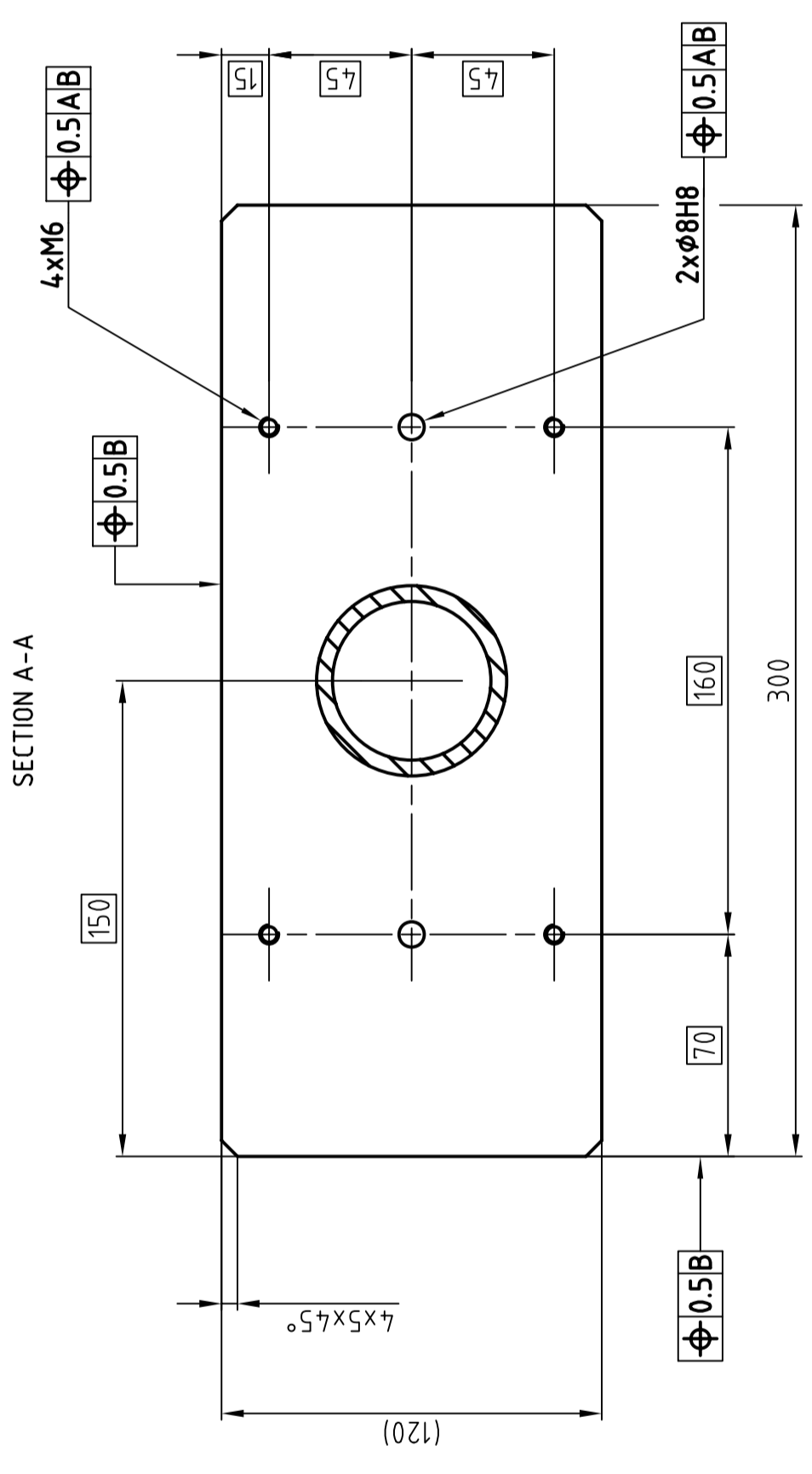
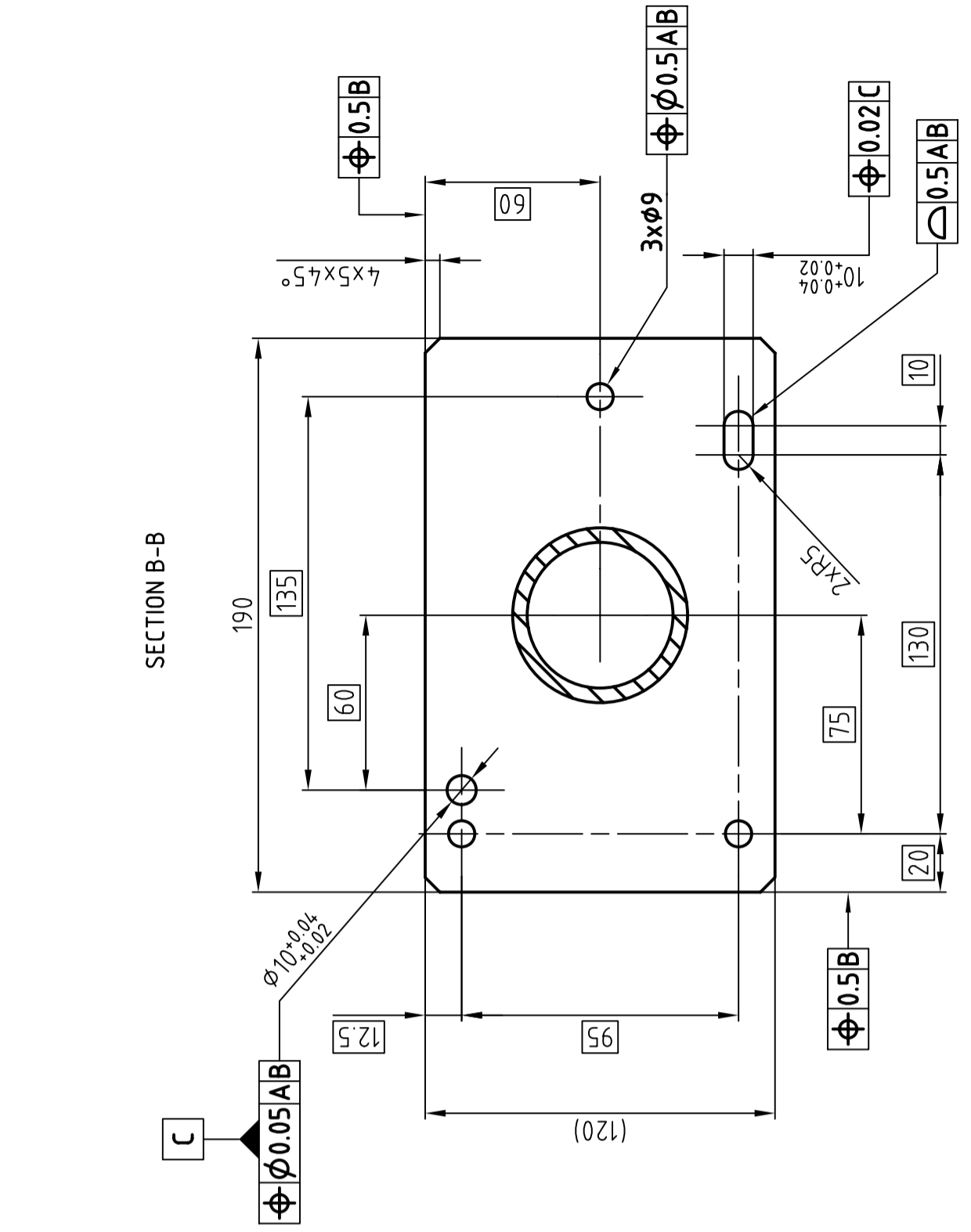
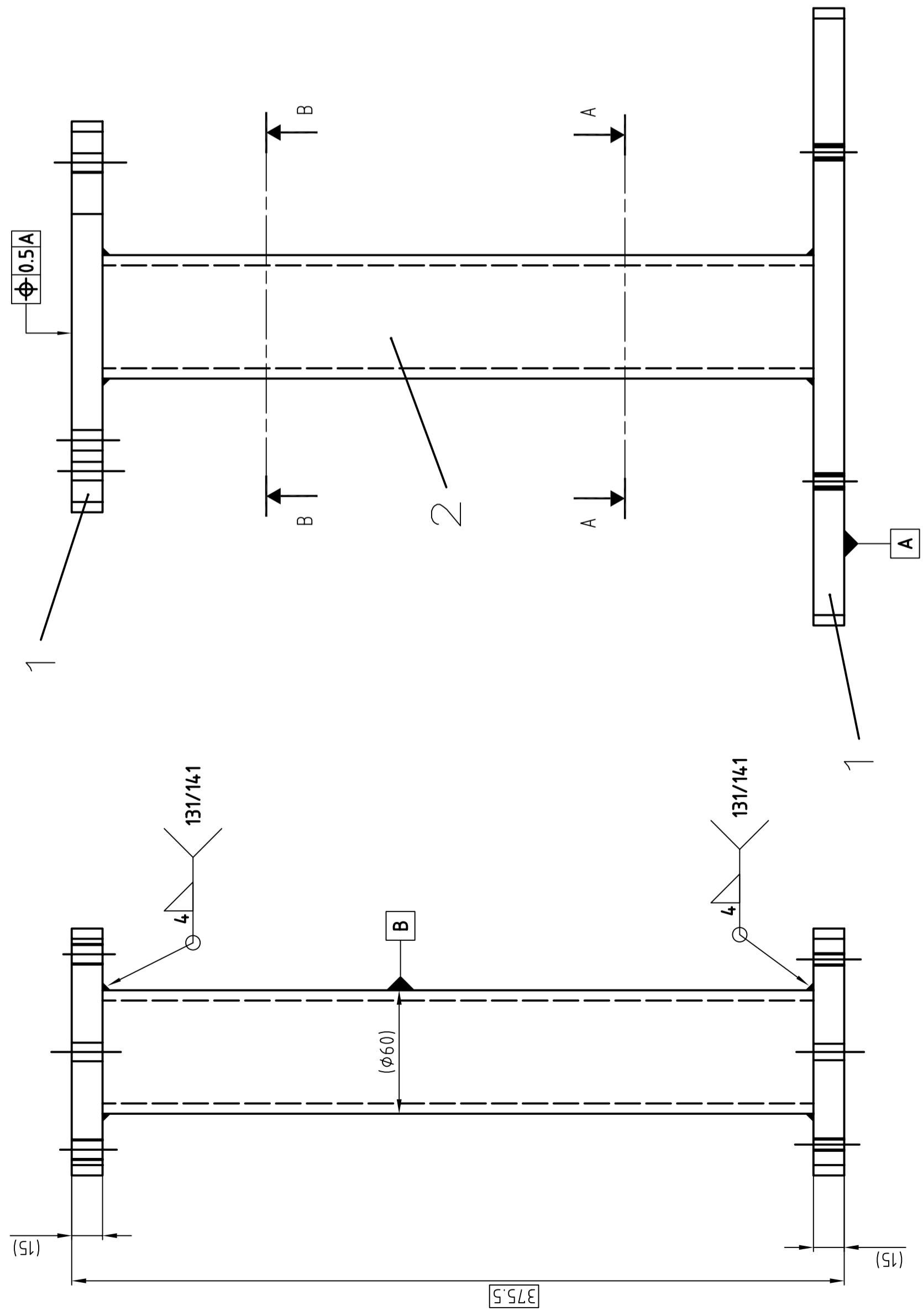


DESSIN, RUGOSITÉ, TOLERANCES SELON NORMES ISO
 DRAWING, RUGOSITY, TOLERANCES ACCORDING TO ISO STANDARDS

Ce dessin ne peut être utilisé à des fins commerciales sans autorisation écrite préalable.
 This drawing may not be used for commercial purposes without written authorisation.

| IND. | DATE | NOM/NOME | ZONE | MODIFICATION |
|------|------|----------|------|--------------|
| | | | | |
| | | | | |



Masse \approx 3.5 Kg
 Mass

Ra 3.2

ISO 13715
 ISO 2768-mK

| QANT | ENS/ASS | DESCRIPTION | POS | MAT. | OBSERVATIONS | REF.CERN |
|------|-----------------|-------------|-----|------|--------------|----------|
| 1 | TUBE Ø60 | ANTICO | | | | 39.64.05 |
| 2 | TUBE Ø60 | AW 6082 | | | | 136.0 |
| 1 | MEPLAT 120x15 | ANTICO | | | | 44.02.02 |
| 1 | FLAT BAR 120x15 | AW 6082 | | | | 190.1 |

| DES/DRA. | N. MERMILLOD | 2006-04-27 |
|---------------------|--------------|------------|
| CONTROLLED | | |
| RELEASED | | |
| APPROVED | | |
| CTF\BIPU_0\BIPU_039 | | |
| REPLACE/REPLACES | | |

| ENS/ASS | CTFBIPU_0037 | S.ENS/S.ASS |
|-----------------------|--------------|-------------|
| CTF INDUCTIVE PICK-UP | | |
| PICK-UP SUPPORT | | |
| ALIGNMENT SUPPORT | | |
| SUPPORT PICK-UP | | |
| SUPPORT ALIGNMENT | | |

| NON VALABLE POUR EXECUTION | NOT VALID FOR EXECUTION | QANT | IND. |
|----------------------------|-------------------------|------|------|
| | | 2 | 1 |

| CTFBIPU_0039 | SIZE | IND. |
|--------------|------|------|
| | 2 | 1 |