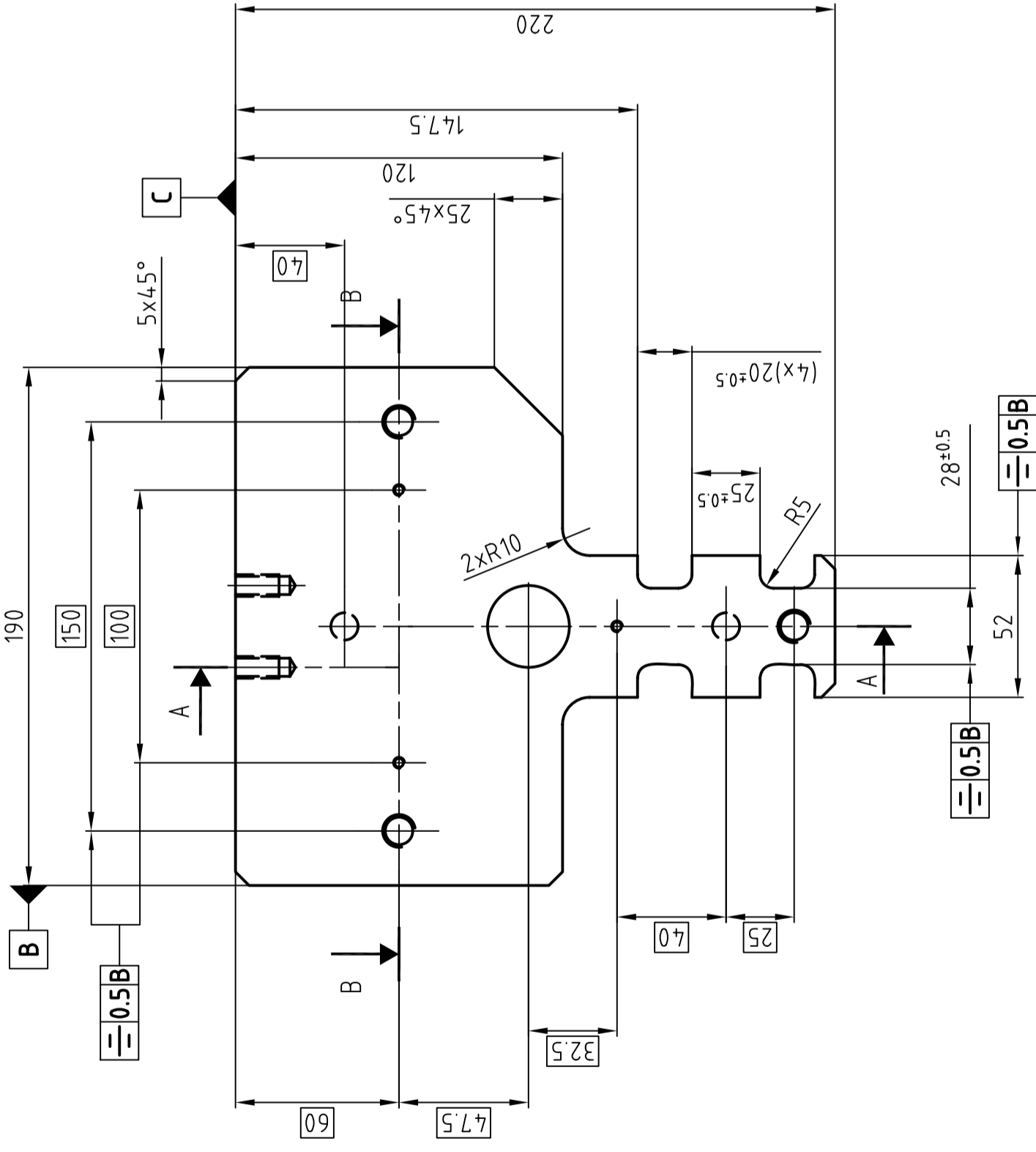
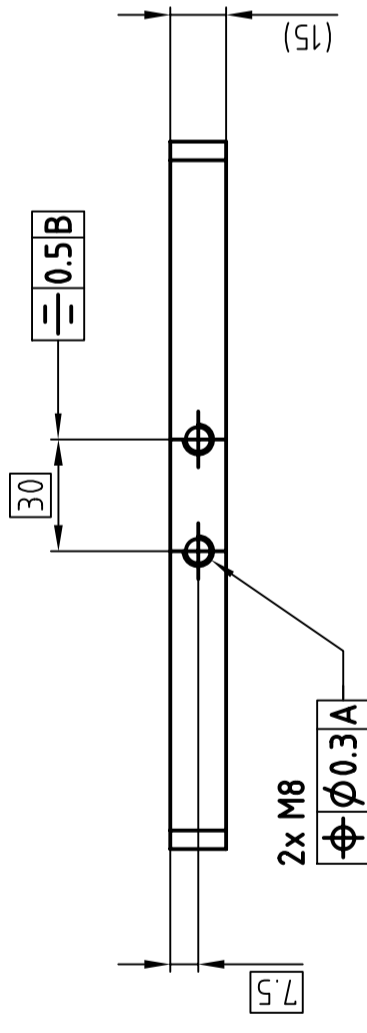
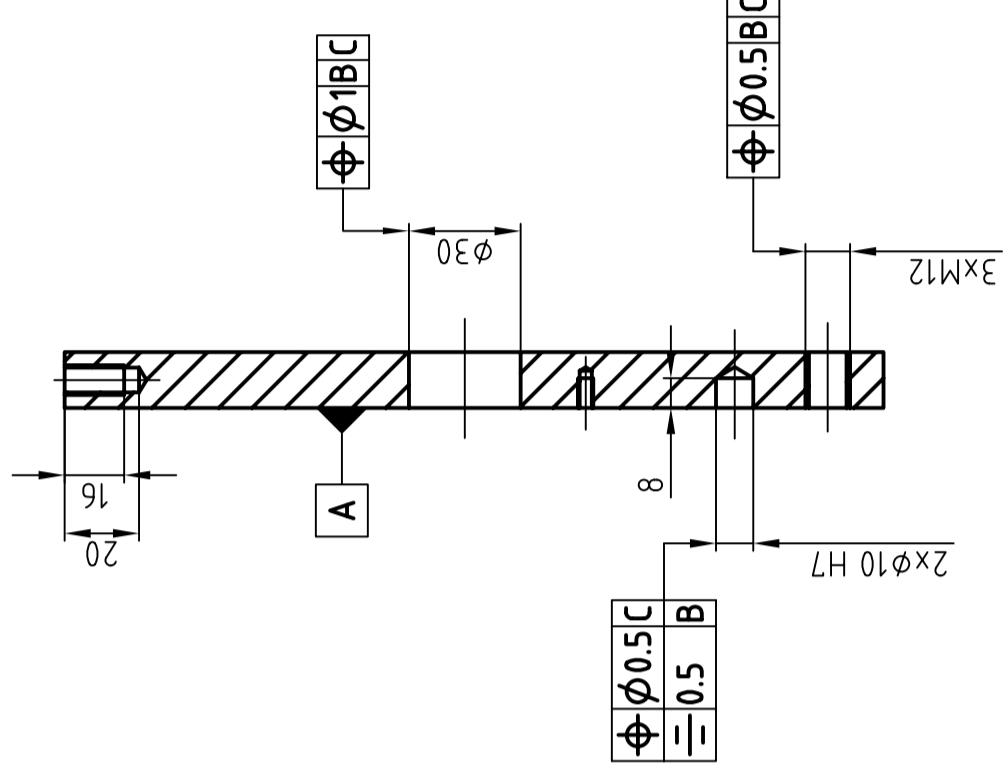


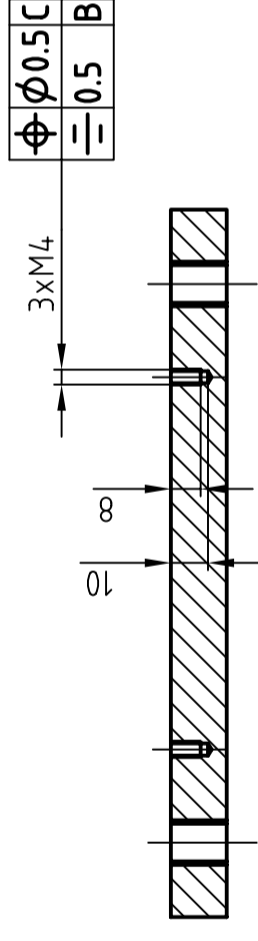
IND.	A	DATE	2007-07-09	NOM/NOME	N. CHRITIN	ZONE	
							APERTURES INSTEAD OF HOLES MODIFICATION



SECTION A-A



SECTION B-B



Masse \approx 1,2 Kg
 Mass

ISO 13715
 ISO 2768-mK

ISO 13715
 ISO 2768-mK

1	SHEET TH. 15 MM	ANTICO	44.02.30
1	TOLE EP. 15 MM	AW 6082	115.5
QUANT.	DESCRIPTION	POS. MAT.	OBSERVATIONS
ENS/ASS	S.ENS/S.ASS		
CTF INDUCTIVE PICK-UP			
ECHELLE SCAILE 1:2			
DES/DRA. N. MERILLOD-BARRET 2006-05-03			
CONTROLLED			
RELEASED			
APPROVED			
CTF \ BIPU_0 \ BIPU_040			
REPLACE/REPLACES			
NON VALABLE POUR EXECUTION			
NOT VALID FOR EXECUTION			
OAC			SIZE
CTFBIPU_0040			IND.
			2 A