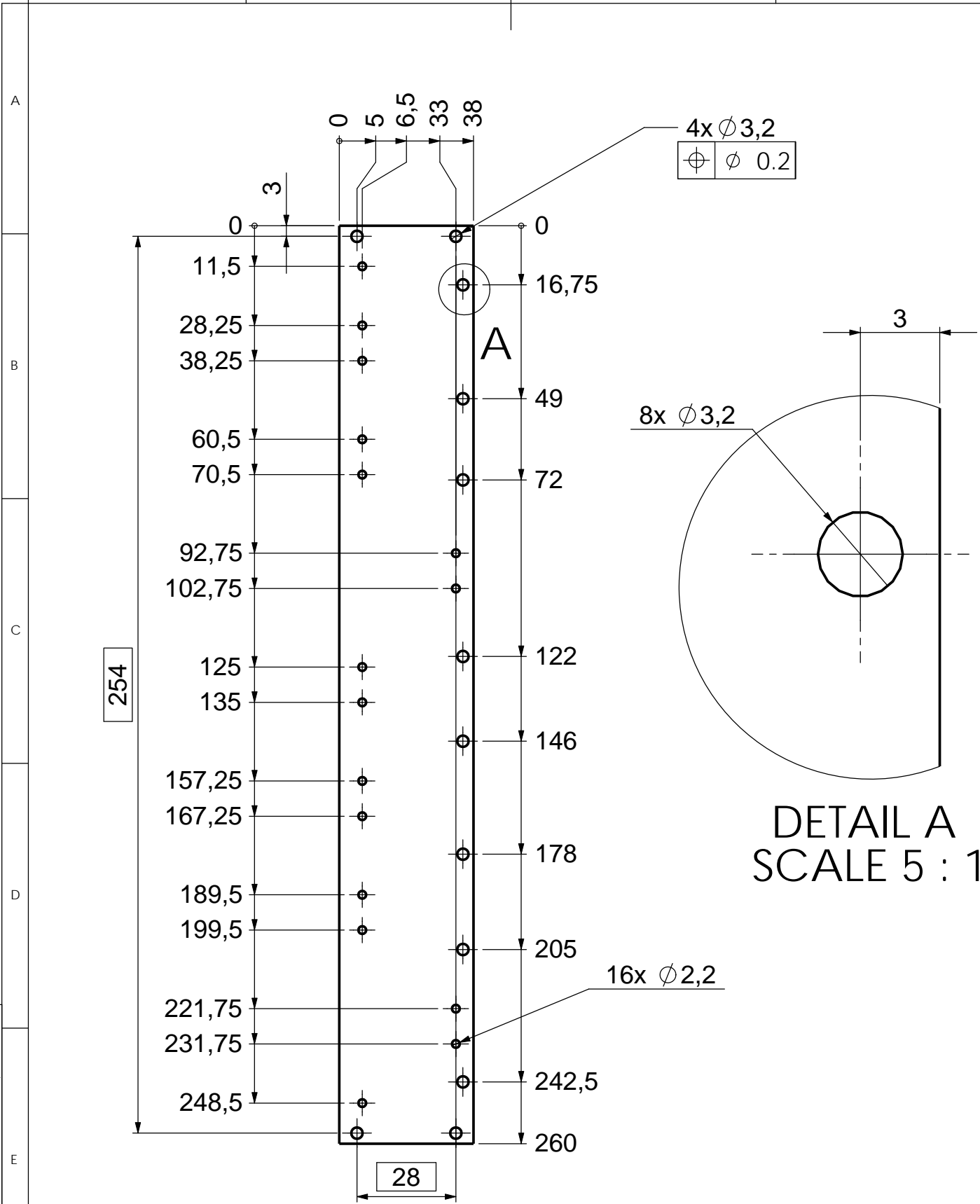



This document must not be copied without our written permission, and the contents thereof must not be imparted to a third party nor be used for any unauthorized purpose. Contravention will be prosecuted.



1	1	Al2O3	CTFBIFEA0012 Alumina plate	ALUMINA 97/98% 1mm thk	
NR	PCS	MATERIAL	PART	DESCRIPTION	
DRAWN BY	CHECKED	APPROVED	OWNER	PROJ. TYPE	
NJ	MN		VZ/RR	DEBUR AND BREAK SHARP EDGES	
				DO NOT SCALE DRAWING	
 CAI CENTER FOR ACCELERATOR AND INSTRUMENT DEVELOPMENT		TOLERANCES	PROJECT		
		ISO-2768-m	FLASHBOX		
		ROUGHNESS	TITLE		
		Ra 1.6	ALUMINA PLATE C		
SCALE	DRAWING NO.	REVISION	RELEASE DATE	SHEET	
2:3	0018-0116	A	2010-08-18	1 of 1	
		SIZE			
		A4			