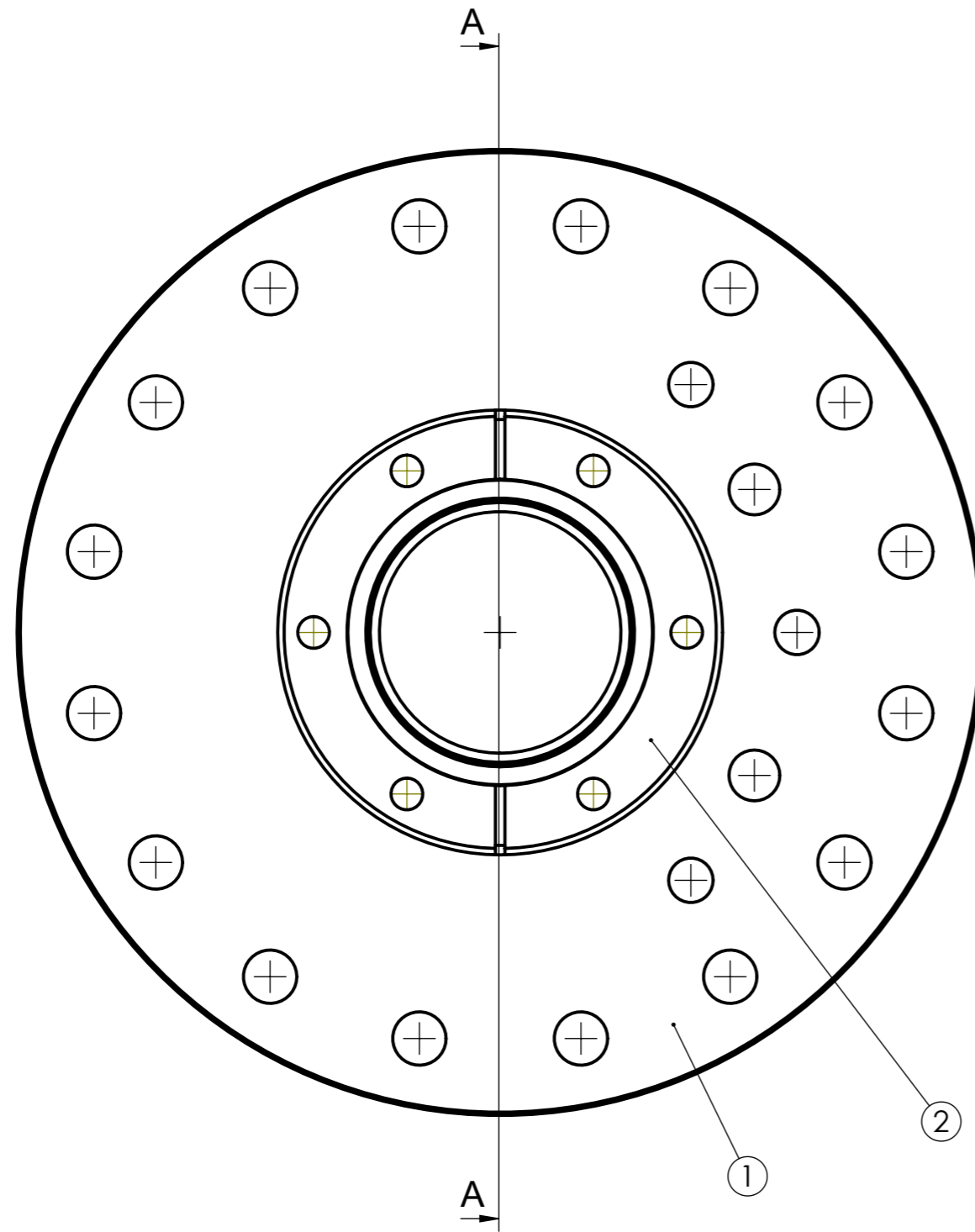
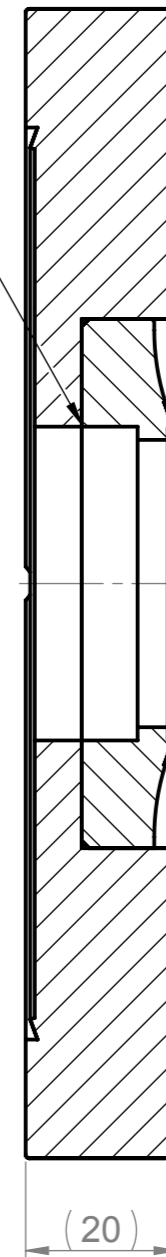


This document must not be copied without our written permission, and the contents thereof must not be imparted to a third part nor be used for any unauthorized purpose. Contravention will be prosecuted.





Weld



A-A

1:2

ITEM NO.	QTY.	DESCRIPTION	Drw / Art Nr.
1	1	DN100CF	0038 - 1141
2	1	DN40CF Manipulator Flange	0038 - 1142

DRAWN BY	CHECKED	APPROVED	OWNER	PROJ. TYPE	DEBUR AND BREAK SHARP EDGES		DO NOT SCALE DRAWING	
M.Noor	N.J	-	R.Ruber / M.Jacewicz					
 				TOLERANCES	PROJECT			
				ISO-2768-m	Uppsala / CLIC X-Band Spectrometer			
				ROUGHNESS	TITLE			
					COLLIMATOR DN100CF MANIPULATOR FLANGE ASSM.			
SCALE		DRAWING NO.		REVISION	RELEASE DATE	SHEET	SIZE	
1:1		0038 - 1140		A	14.01.14	1 of 3	A3	

A

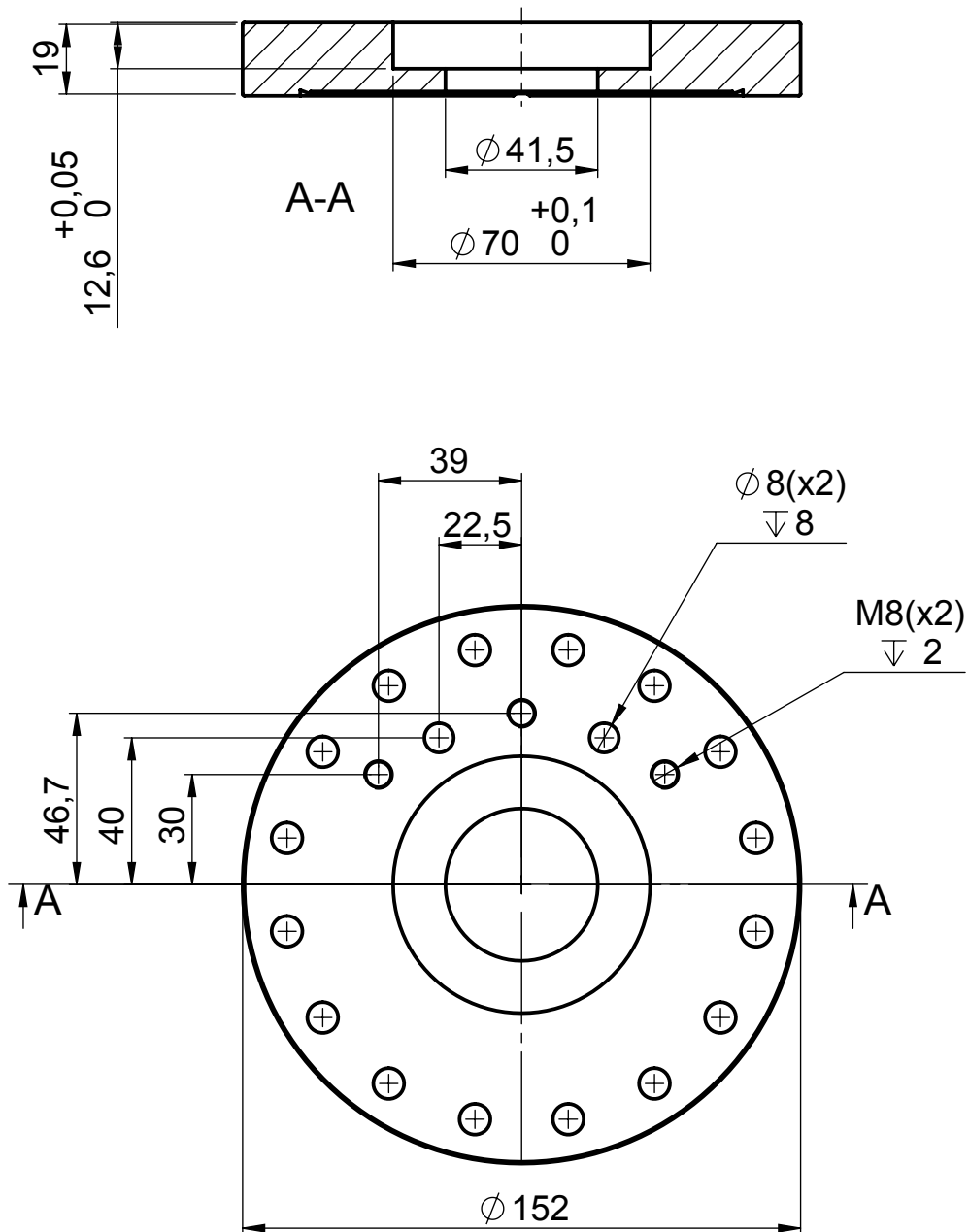
B

C

D

E

F

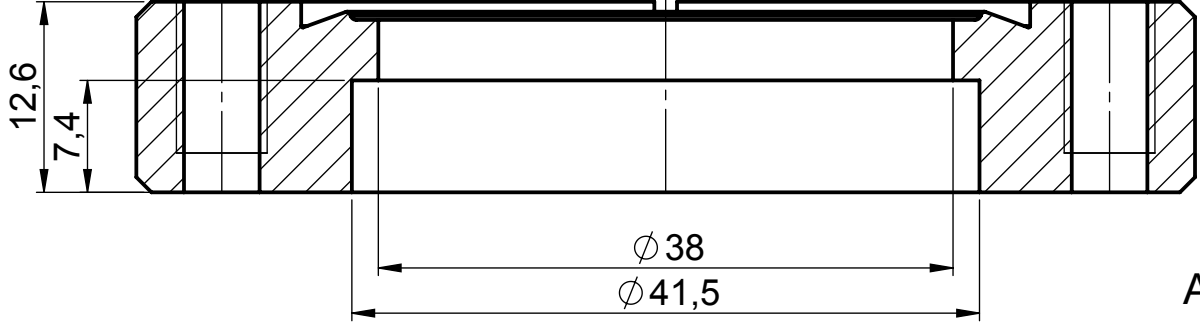


ITEM NO.	QTY.	DESCRIPTION	Art / Drw Nr.
1	1	DN100CF	Vaqtec 2-CF-0128

DRAWN BY	CHECKED	APPROVED	OWNER	PROJ. TYPE	DEBUR AND BREAK SHARP EDGES	DO NOT SCALE DRAWING
M.Noor	N.J		R.Ruber / M.Jacewicz			

TOLERANCES		PROJECT				
ISO-2768-m		Uppsala / CLIC X-Band Spectrometer				
ROUGHNESS		TITLE				
Ra 3.2		DN100CF COLLIMATOR MANIP. FLANGE				
SCALE	DRAWING NO.	REVISION	RELEASE DATE	SHEET	SIZE	
1:2	0038-1141	A	20.01.14	2 of 3	A4	

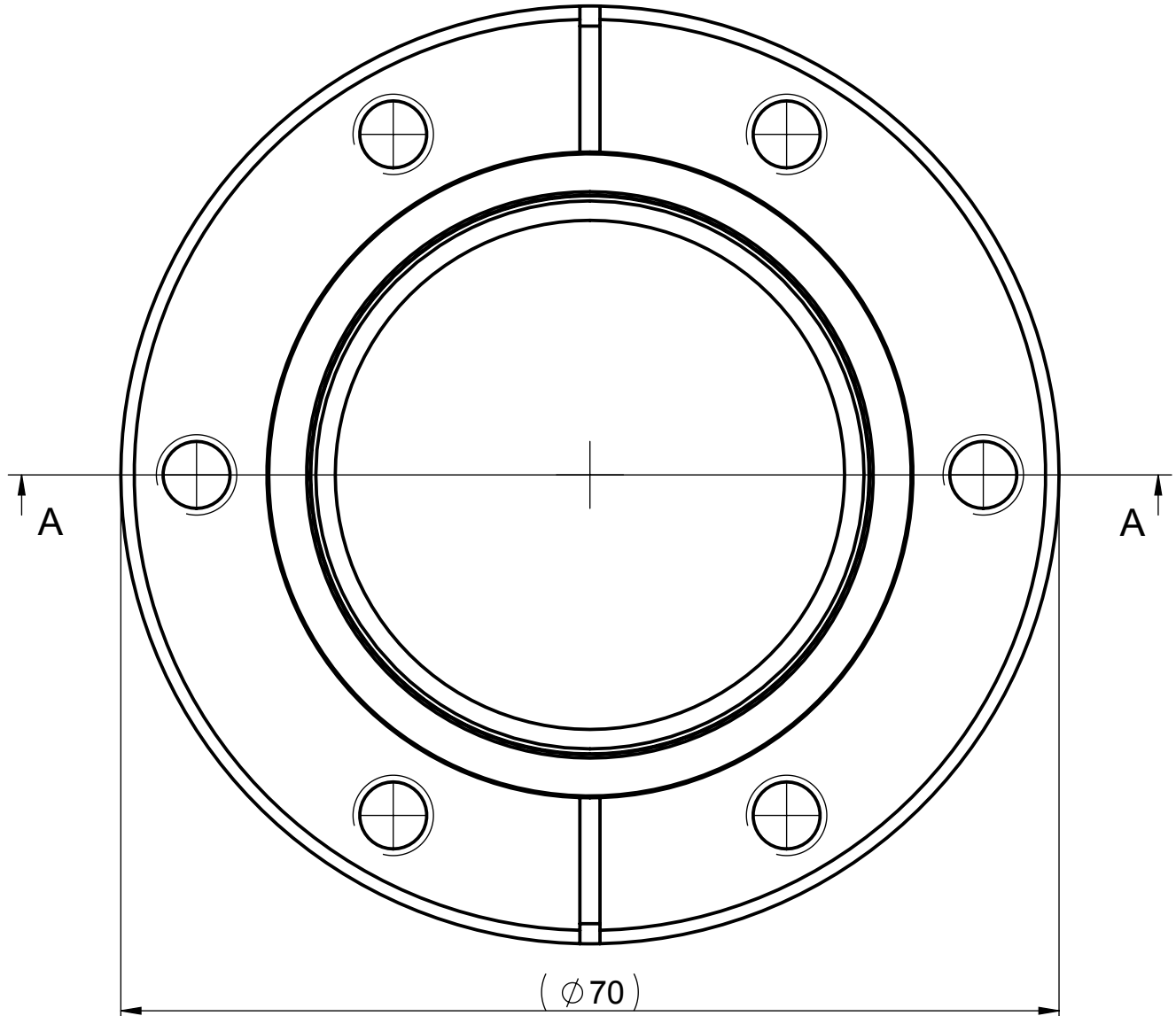
A



A-A

B

C



D

E

This document must not be copied without our written permission, and the contents thereof must not be imparted to a third party nor be used for any unauthorized purpose. Contravention will be prosecuted.

ITEM NO.	QTY.	DESCRIPTION	Drw / Art Nr.
1	1	DN40CF Manipulator Flange	2 - CF - 0056

DRAWN BY	CHECKED	APPROVED	OWNER	PROJ. TYPE	DEBUR AND BREAK SHARP EDGES	DO NOT SCALE DRAWING
M.Noor	N.J		R.Ruber / M.Jacewicz			

 UPPSALA UNIVERSITET	 Ingström Verkstad	TOLERANCES	PROJECT			
		ISO-2768-m	Uppsala / CLIC X-Band Spectrometer			
		ROUGHNESS	TITLE			
		Ra 3.2	DN40CF Manipulator Flange			
SCALE	DRAWING NO.	REVISION	RELEASE DATE	SHEET	SIZE	
2:1	0038-1142	A	20.01.14	3 of 3	A4	