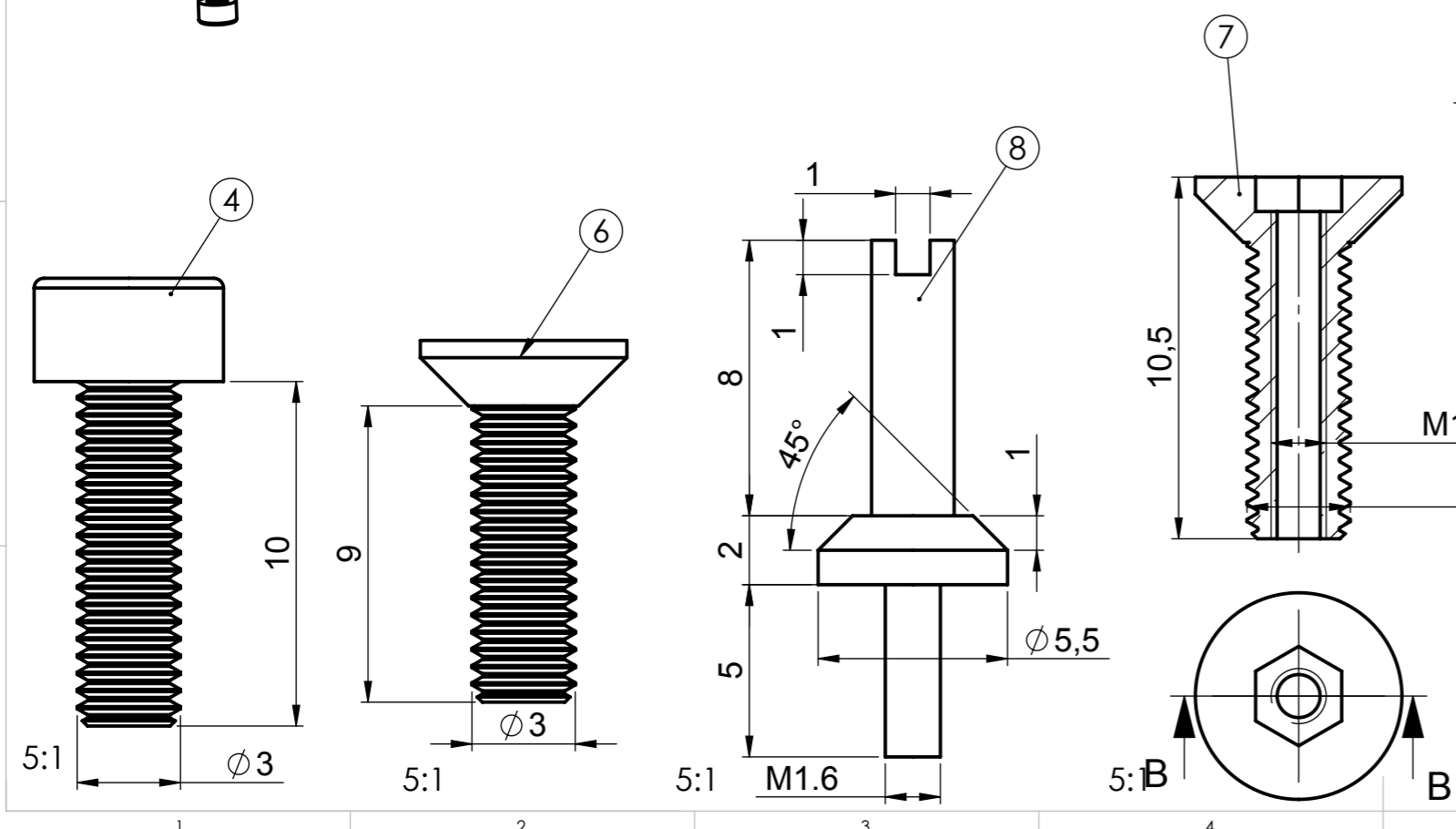
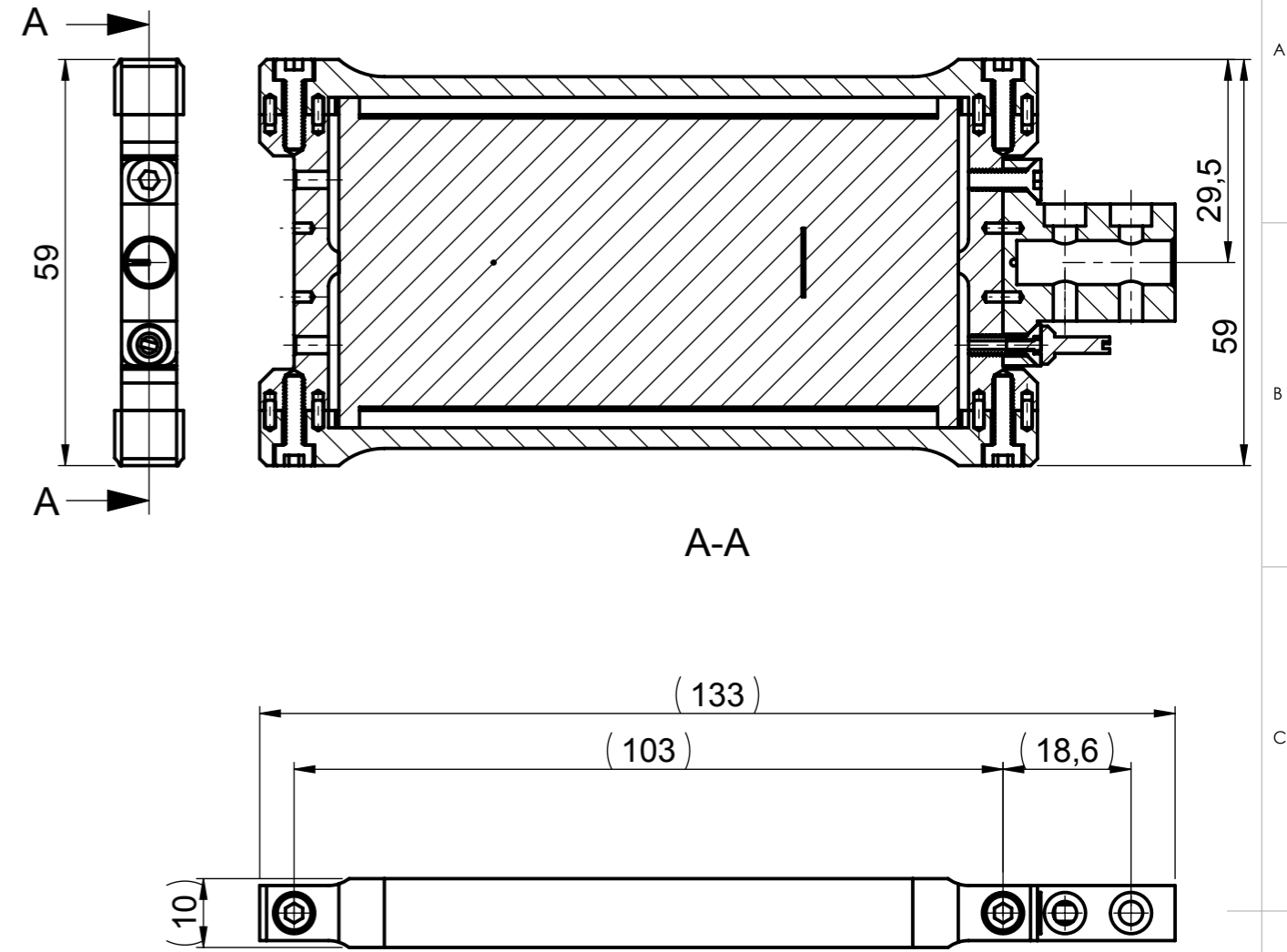
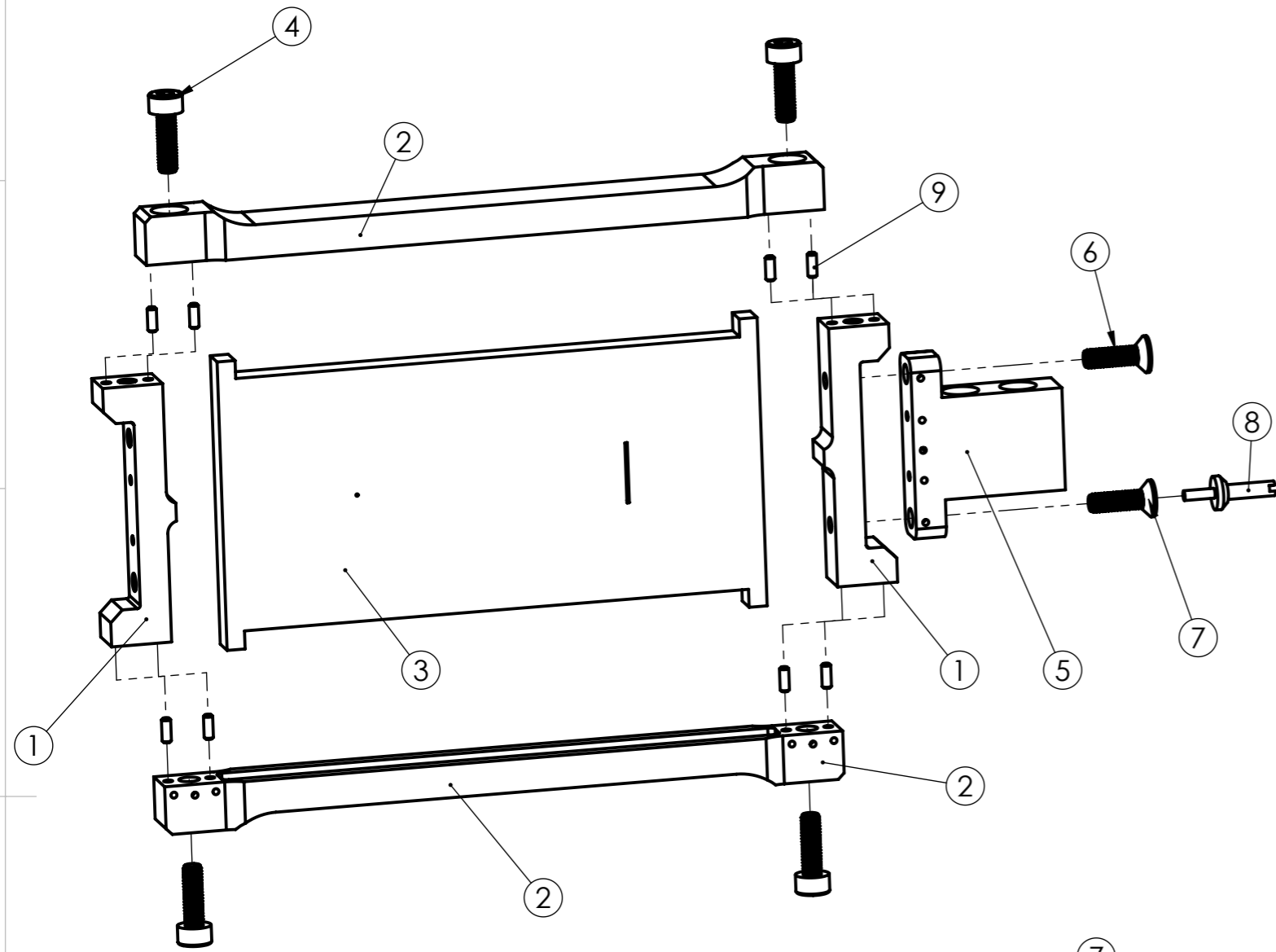
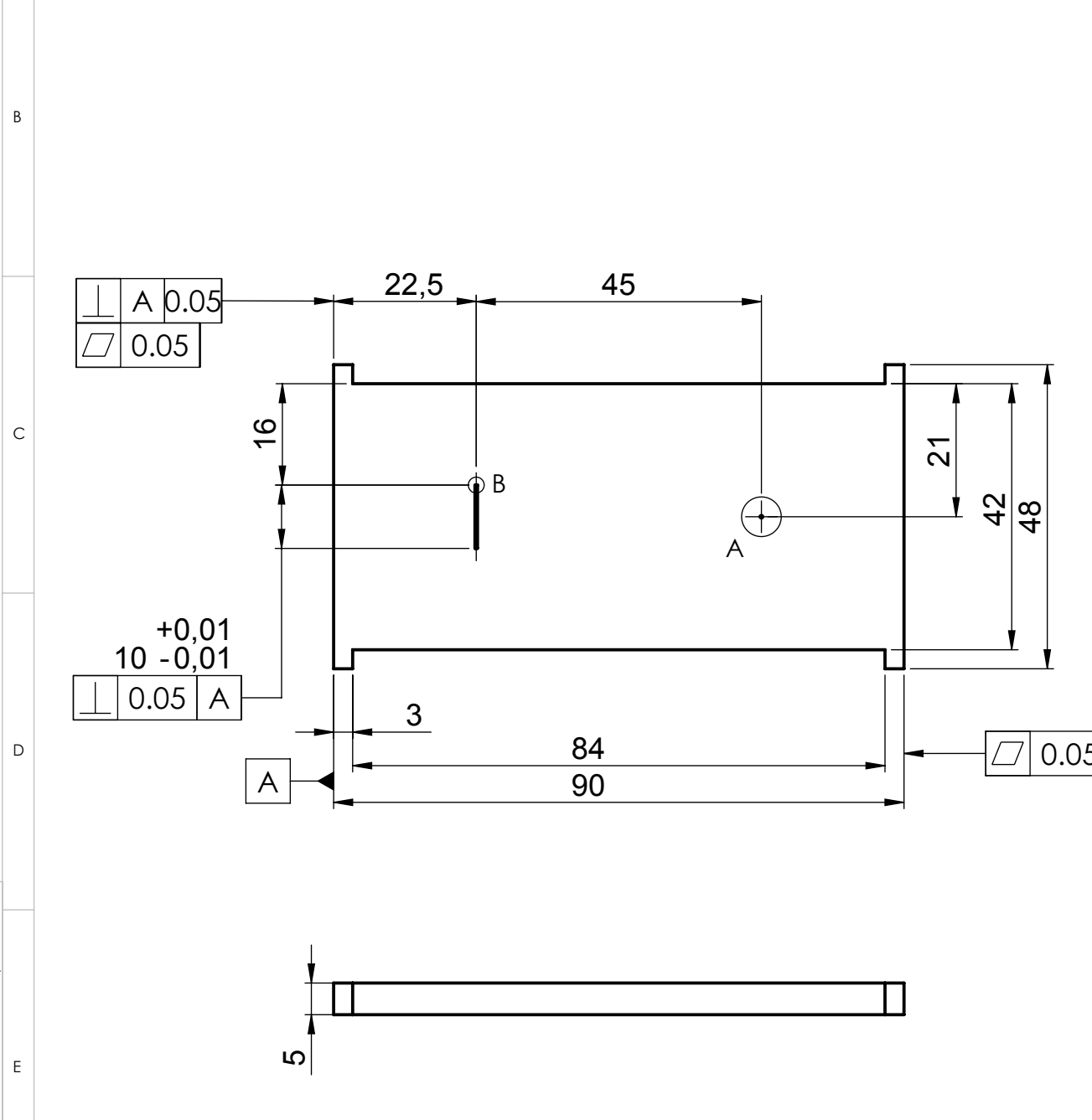
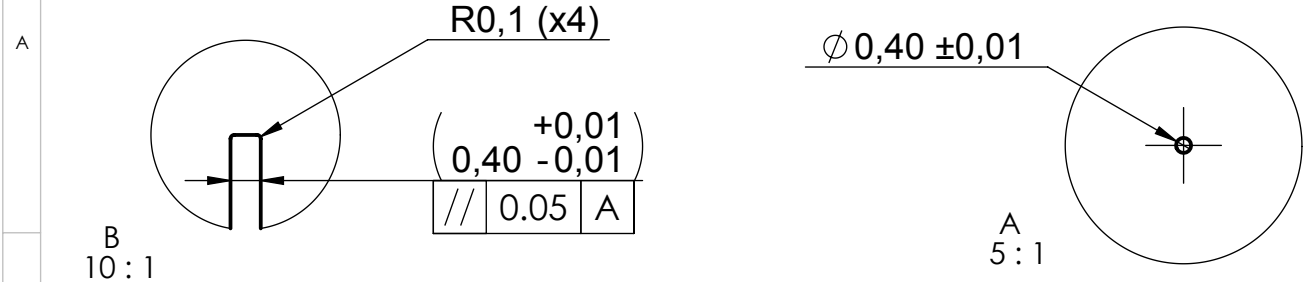


This document must not be copied without our written permission, and the contents thereof must not be imparted to a third part nor be used for any unauthorized purpose. Contravention will be prosecuted.



ITEM NO.	QTY.	DESCRIPTION	Dwg / Art Nr.
1	2	Collimator Frame Bracket Vert.	0038 - 1153
2	2	Collimator Frame Bracket Horz.	0038 - 1152
3	1	Collimator	0038 - 1151
4	4	M3 x 10	0038 - 1150
5	1	Collimator Frame Bracket Support	0038 - 1154
6	1	M3 x 8	0038 - 1150
7	1	M3 x 10.5 El. Pin	0038 - 1150
8	1	Electrical Pin	0038 - 1150
9	8	Ø 1.5 Dowel Pin	0038 - 1150

DRAWN BY M.Noor	CHECKED N.J	APPROVED -	OWNER R.Ruber / M.Jacewicz	PROJ. TYPE 	DEBUR AND BREAK SHARP EDGES	DO NOT SCALE DRAWING
				TOLERANCES ISO-2768-m	PROJECT Uppsala / CLIC X-Band Spectrometer	
				ROUGHNESS	TITLE Collimator Main Assm.	
SCALE 1:1	DRAWING NO. 0038 - 1150	REVISION A	RELEASE DATE 13.02.13	SHEET 1 of 6	SIZE A3	

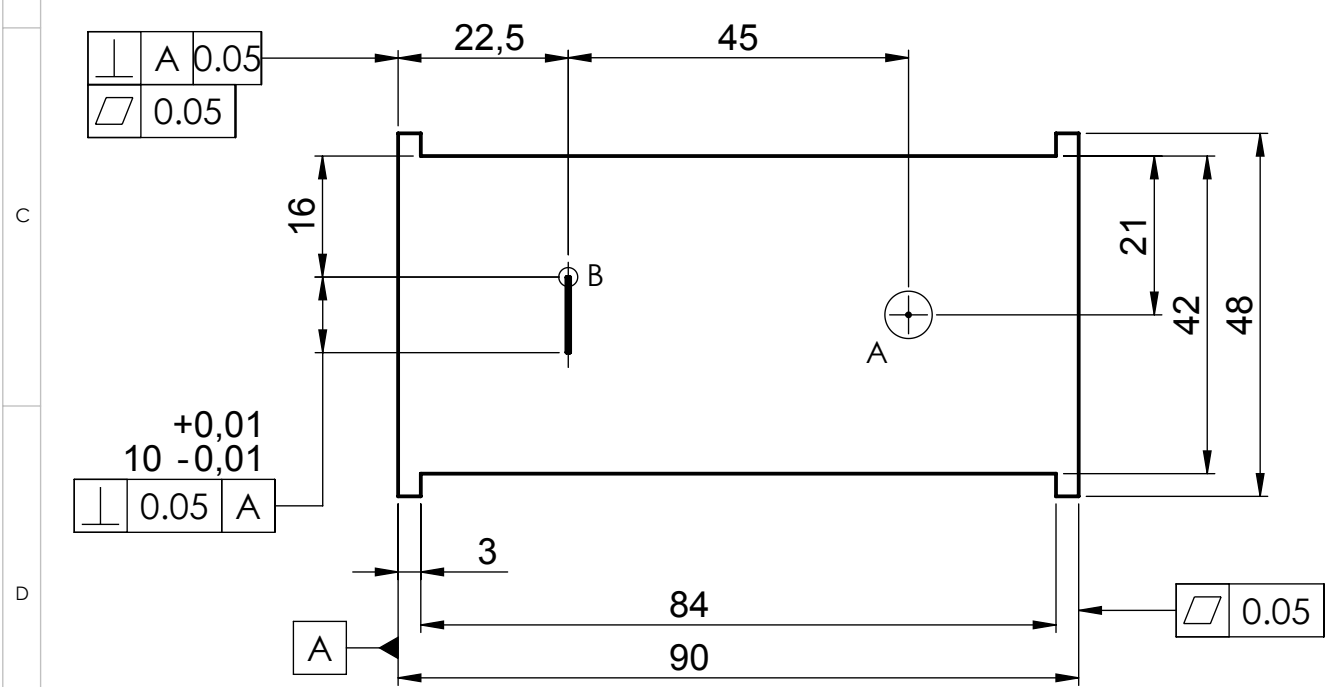
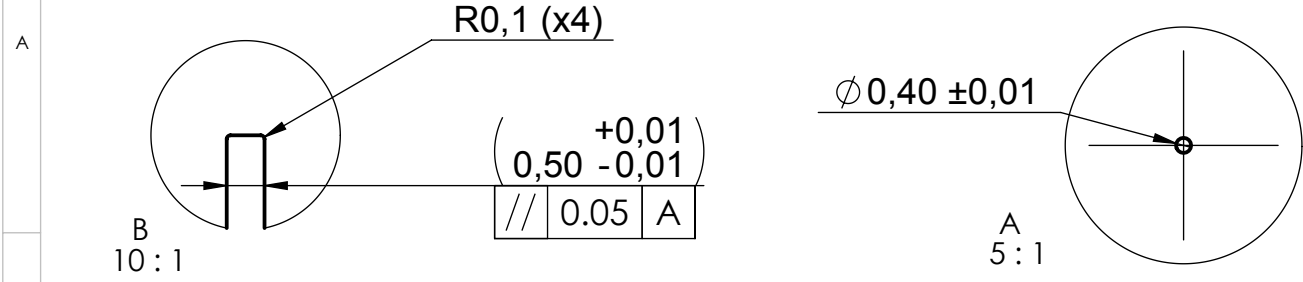


This document must not be copied without our written permission, and the contents thereof must not be imparted to a third party nor be used for any unauthorized purpose. Contravention will be prosecuted.

ITEM NO.	QTY.	DESCRIPTION	Material
1	1	Collimator	Tungsten

DRAWN BY M.Noor	CHECKED N.J	APPROVED	OWNER R.Ruber / M.Jacewicz	PROJ. TYPE 	DEBUR AND BREAK SHARP EDGES	DO NOT SCALE DRAWING
---------------------------	-----------------------	----------	--------------------------------------	----------------	-----------------------------	----------------------

 UPPSALA UNIVERSITET	 Kungström Verkstad	TOLERANCES	PROJECT				
		ISO-2768-m	Uppsala / CLIC X-Band Spectrometer				
		ROUGHNESS	TITLE				
			COLLIMATOR				
SCALE	DRAWING NO.	REVISION	RELEASE DATE	SHEET	SIZE		
1:1	0038-1151A	A	13.01.14	2 of 6	A4		



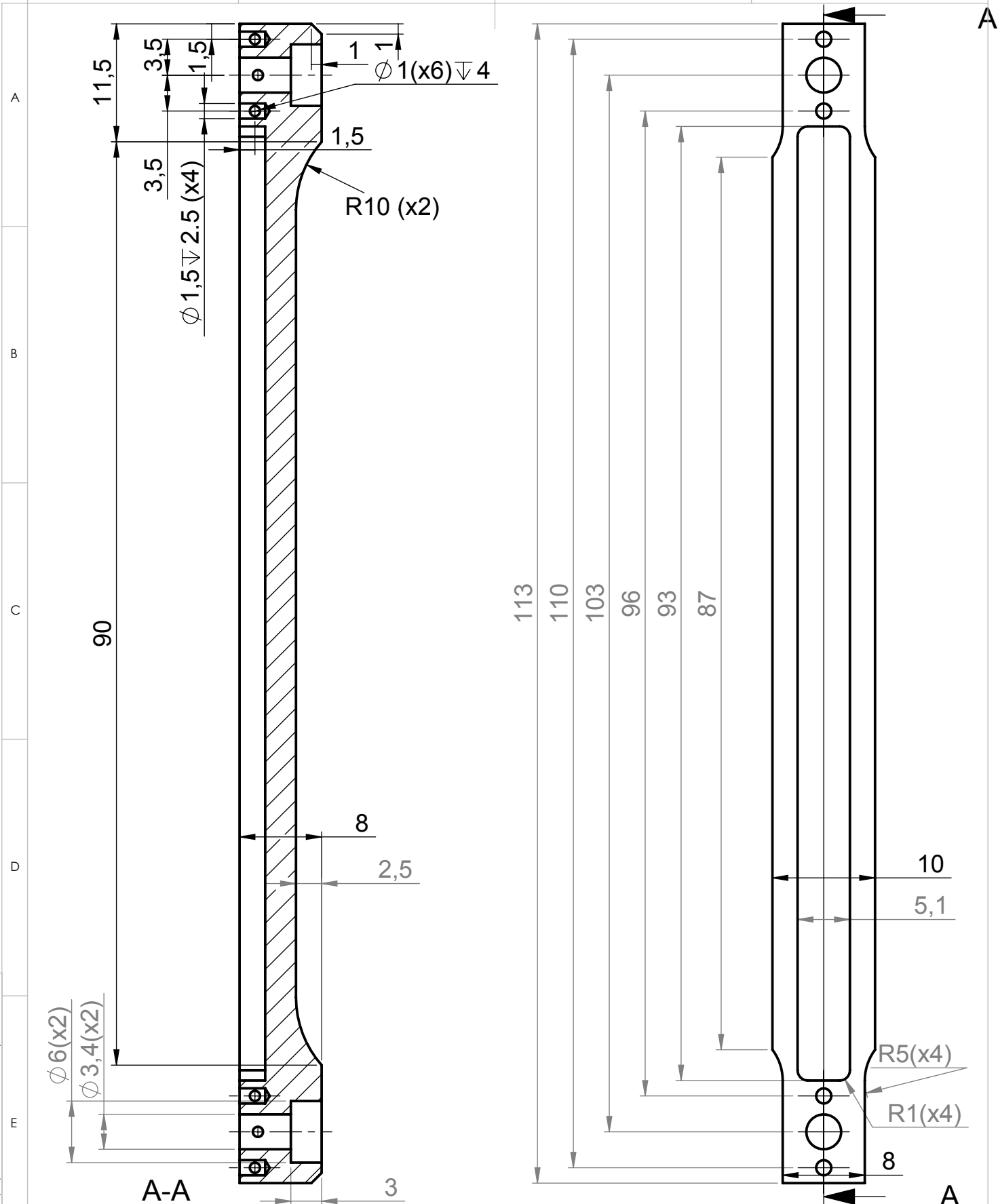
This document must not be copied without our written permission, and the contents thereof must not be imparted to a third party nor be used for any unauthorized purpose. Contravention will be prosecuted.

ITEM NO.	QTY.	DESCRIPTION	Material
1	1	Collimator	Tungsten

DRAWN BY M.Noor	CHECKED N.J	APPROVED	OWNER R.Ruber / M.Jacewicz	PROJ. TYPE 	DEBUR AND BREAK SHARP EDGES	DO NOT SCALE DRAWING
---------------------------	-----------------------	----------	--------------------------------------	----------------	-----------------------------	----------------------

UPPSALA UNIVERSITET Ingström Verkstad	TOLERANCES	PROJECT				
	ISO-2768-m	Uppsala / CLIC X-Band Spectrometer				
	ROUGHNESS	TITLE				
		COLLIMATOR				
SCALE	DRAWING NO.	REVISION	RELEASE DATE	SHEET	SIZE	
1:1	0038-1151B	A	13.01.14	3 of 6	A4	

This document must not be copied without our written permission, and the contents thereof must not be imparted to a third party nor be used for any unauthorized purpose. Contravention will be prosecuted.

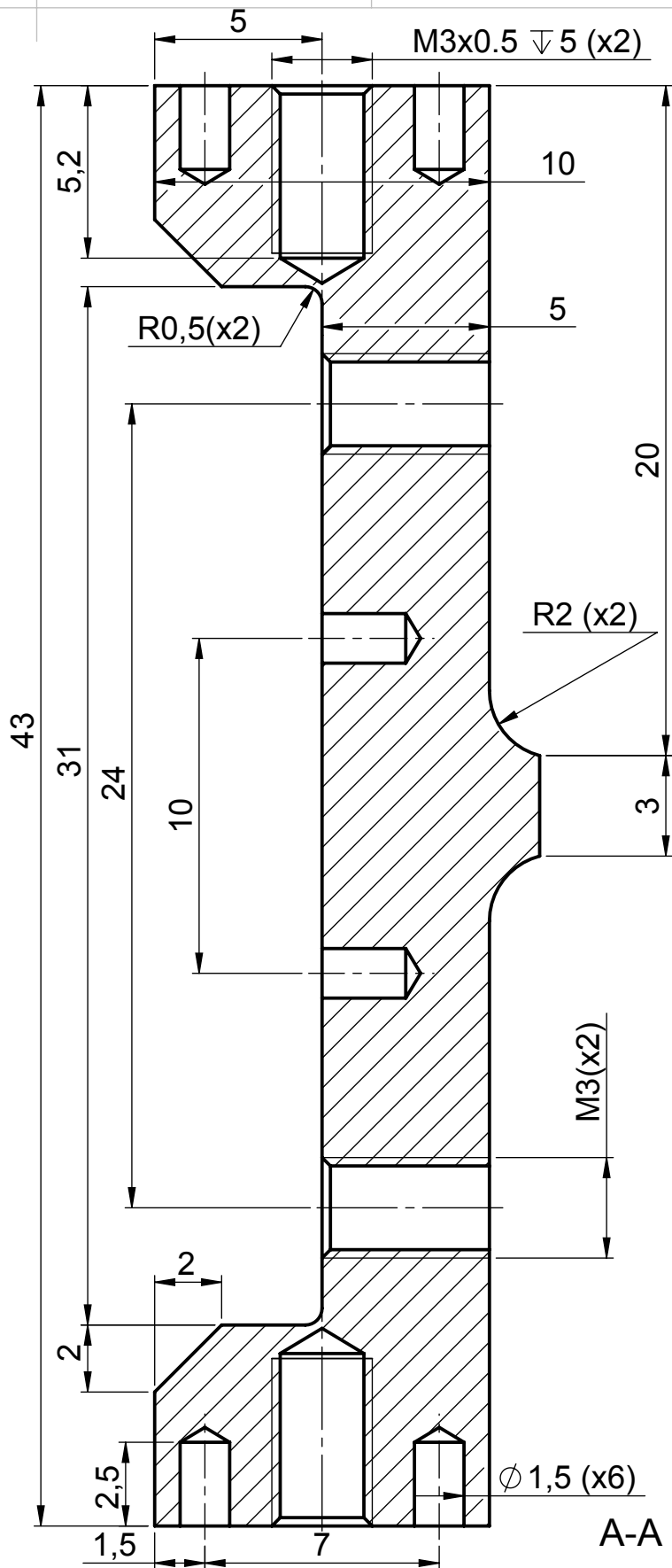
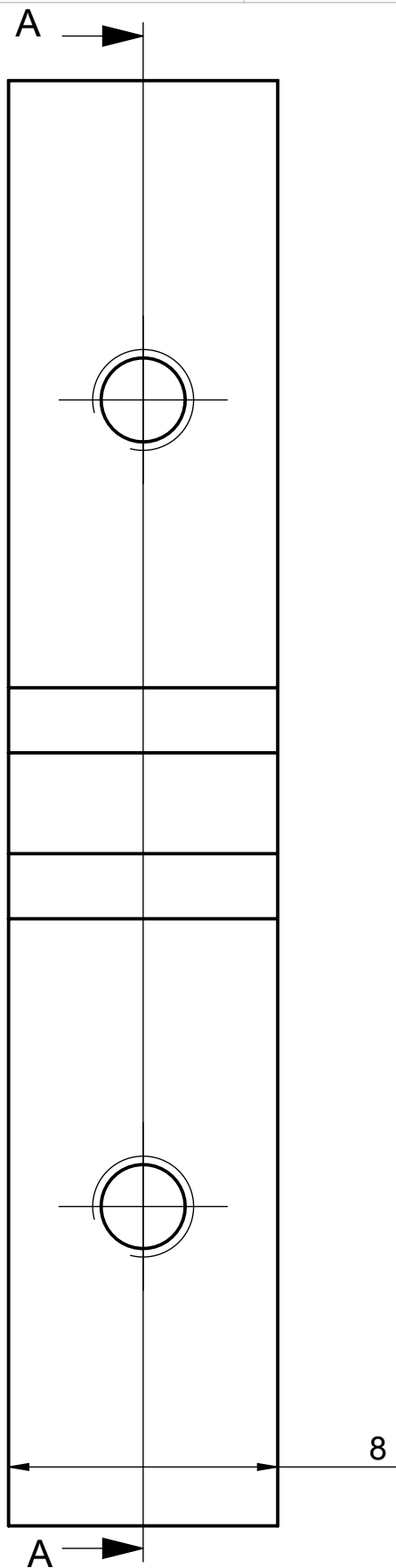


ITEM NO.	QTY.	DESCRIPTION	Material
1	2	Collimator Frame Bracket Horiz.	Al-4212

DRAWN BY	CHECKED	APPROVED	OWNER	PROJ. TYPE	DEBUR AND BREAK SHARP EDGES	DO NOT SCALE DRAWING
M.Noor	N.J	-	R.Ruber / M.Jacewicz		DEBUR AND BREAK SHARP EDGES	DO NOT SCALE DRAWING

 UPPSALA UNIVERSITET	 Kungström Verkstad	TOLERANCES	PROJECT				
		ISO-2768-mK	Uppsala / CLIC X-Band Spectrometer				
		ROUGHNESS	TITLE				
		Ra 3.2	Collimator Frame Bracket Horiz.				
		SCALE	DRAWING NO.	REVISION	RELEASE DATE	SHEET	SIZE
2:1	0038-1152	A	13.01.14	4 of 6	A4		

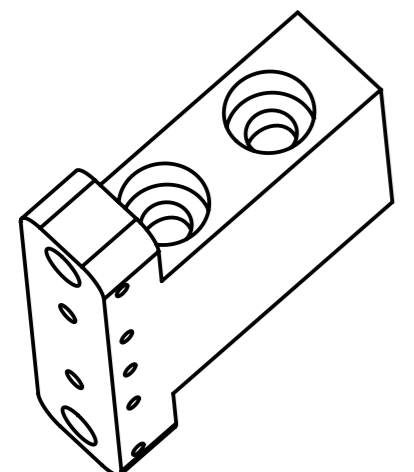
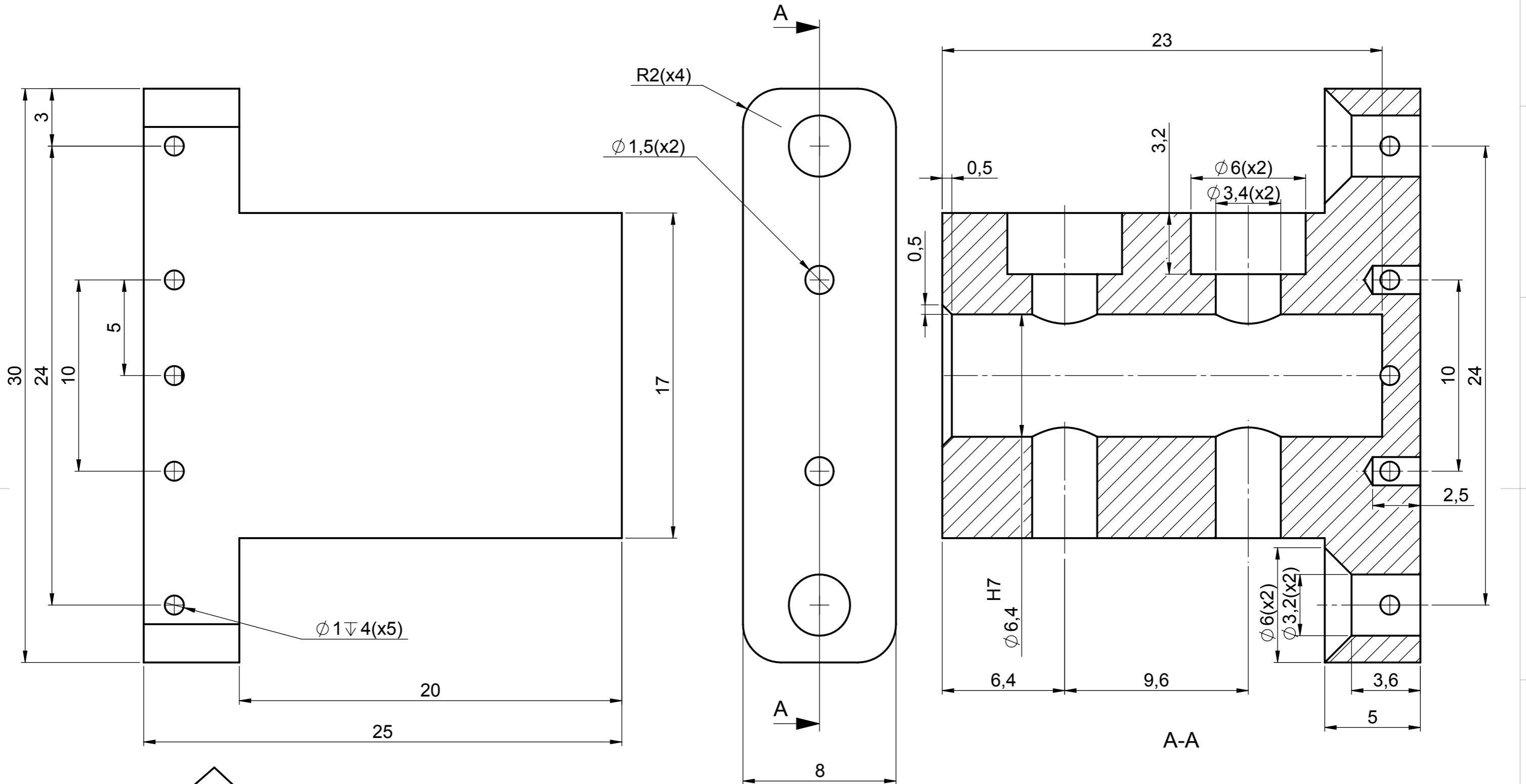
This document must not be copied without our written permission, and the contents thereof must not be imparted to a third party nor be used for any unauthorized purpose. Contravention will be prosecuted.



ITEM NO.	QTY.	DESCRIPTION	Material
1	2	Collimator Frame Bracket Vert.	AL-4212

DRAWN BY	CHECKED	APPROVED	OWNER	PROJ. TYPE	DEBUR AND BREAK SHARP EDGES	DO NOT SCALE DRAWING
M.Noor	N.J	-	R.Ruber / M.Jacewicz			

	TOLERANCES	PROJECT				
	ISO-2768-mK	Uppsala / CLIC X-Band Spectrometer				
	ROUGHNESS	TITLE				
	Ra 3.2	CERN ISO K100				
SCALE	DRAWING NO.	REVISION	RELEASE DATE	SHEET	SIZE	
5:1	0038-1153	A	13.01.14	5 of 6	A4	



ITEM NO.	QTY.	DESCRIPTION	Material			
1	1	Collimator Frame Bracket Support	PEEK			
DRAWN BY	CHECKED	APPROVED	OWNER	PROJ. TYPE	DEBUR AND BREAK SHARP EDGES	DO NOT SCALE DRAWING
M.Noor	N.J	-	R.Ruber / M.Jacewicz			
TOLERANCES		PROJECT				
ISO-2768-m		Uppsala / CLIC X-Band Spectrometer				
ROUGHNESS		TITLE				
Ra 3.2		CLIC / CTF 3				
SCALE	DRAWING NO.	REVISION	RELEASE DATE	SHEET	SIZE	
5:1	0038 - 1154	A	13.01.14	6 of 6	A3	

