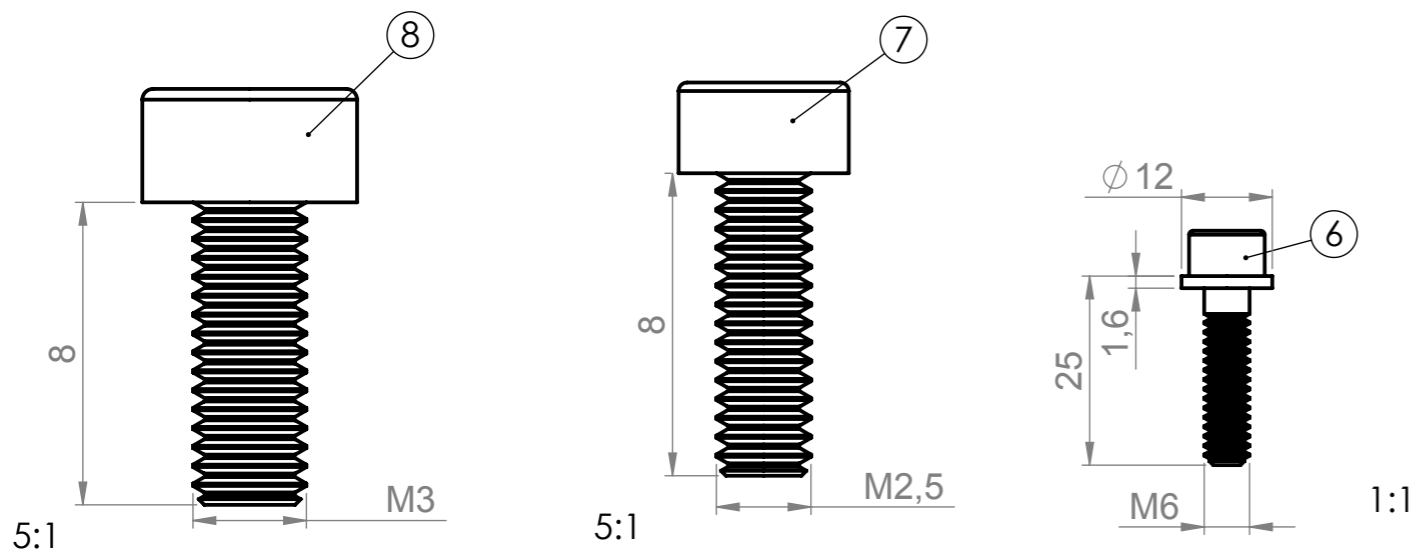
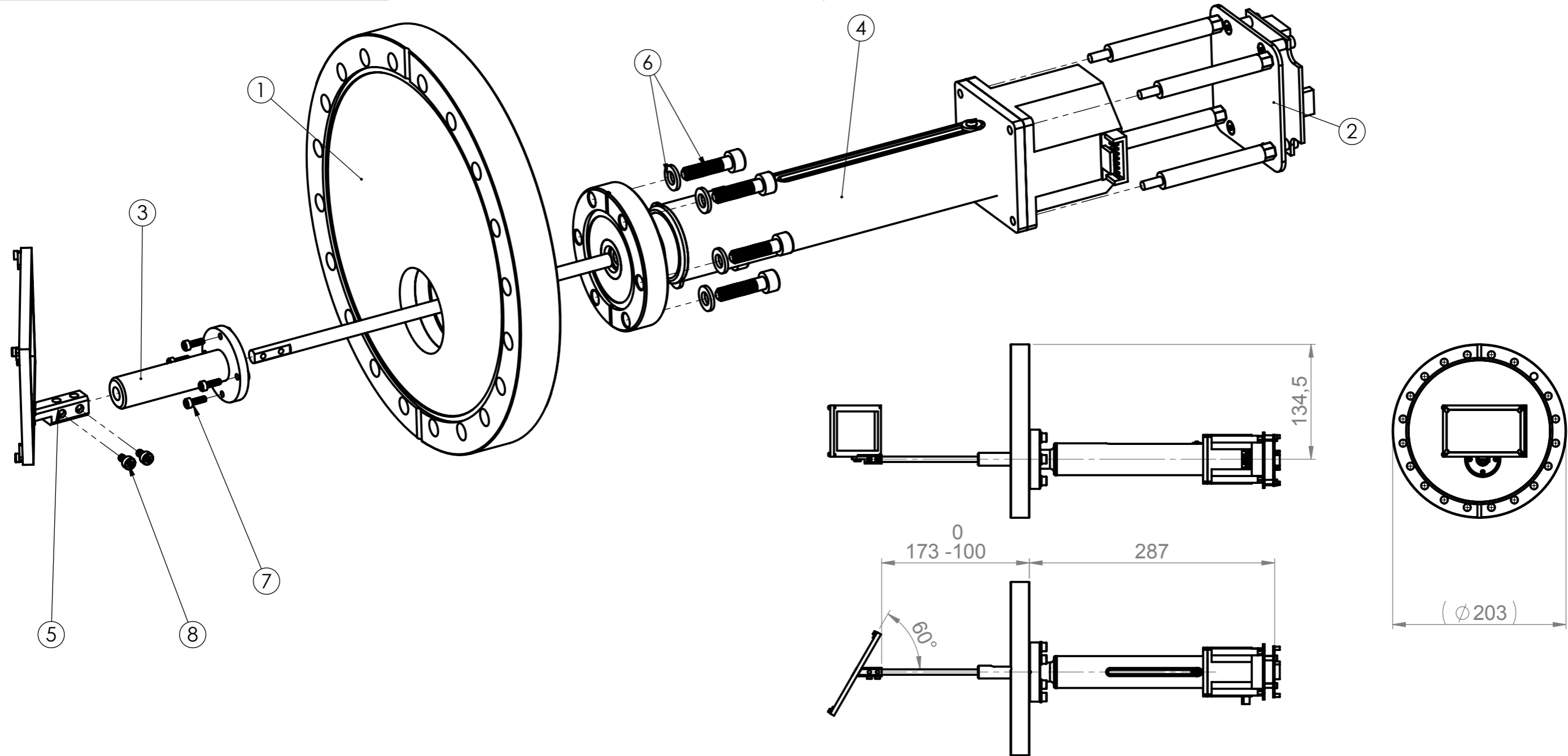


This document must not be copied without our written permission, and the contents thereof must not be imparted to a third party nor be used for any unauthorized purpose. Contravention will be prosecuted.



ITEM NO.	QTY.	DESCRIPTION	Drw / Art nr.	Material
1	1	DN160CF Manipulator Flange Assm.	0038 - 1450	-
2	1	Stepper motor controller Assm.	0038 - 1130	-
3	1	Manipulator Shaft Guide	0038 - 1101	-
4	1	Linear Motion Manipulator	MDC BLM-275-4-03	-
5	1	Mirror Assm.	0038 - 1440	-
6	6	M6 x 25	0038 - 1420	A4 Stainless Steel
7	4	M2.5 X 8	0038 - 1420	A4 Stainless Steel
8	2	M3 x 8	0038 - 1420	A4 Stainless Steel

DRAWN BY	CHECKED	APPROVED	OWNER	PROJ. TYPE	DEBUR AND BREAK SHARP EDGES	DO NOT SCALE DRAWING
M.Noor	N.J	-	R.Ruber / M.Jacewicz			
				TOLERANCES	PROJECT	
				ISO-2768-m	CLIC / CTF 3	
				ROUGHNESS	TITLE	
				Ra 3.2	MIRROR MANIPULATOR ASSM.	
				SCALE	DRAWING NO.	REVISION
				1:2	0038 - 1420	A
					RELEASE DATE	SHEET
					22.01.14	1 of 1
						A3