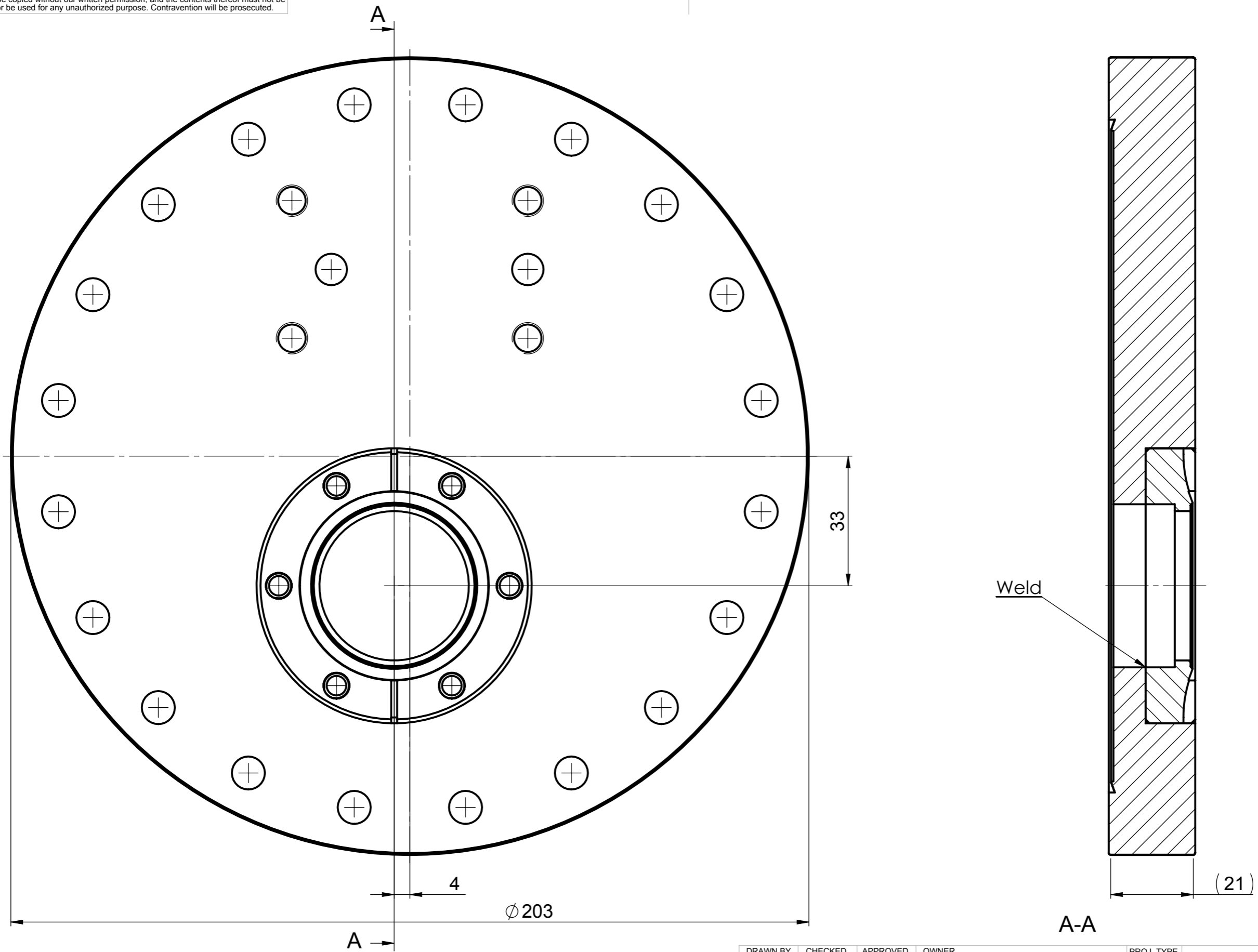




This document must not be copied without our written permission, and the contents thereof must not be imparted to a third part nor be used for any unauthorized purpose. Contravention will be prosecuted.

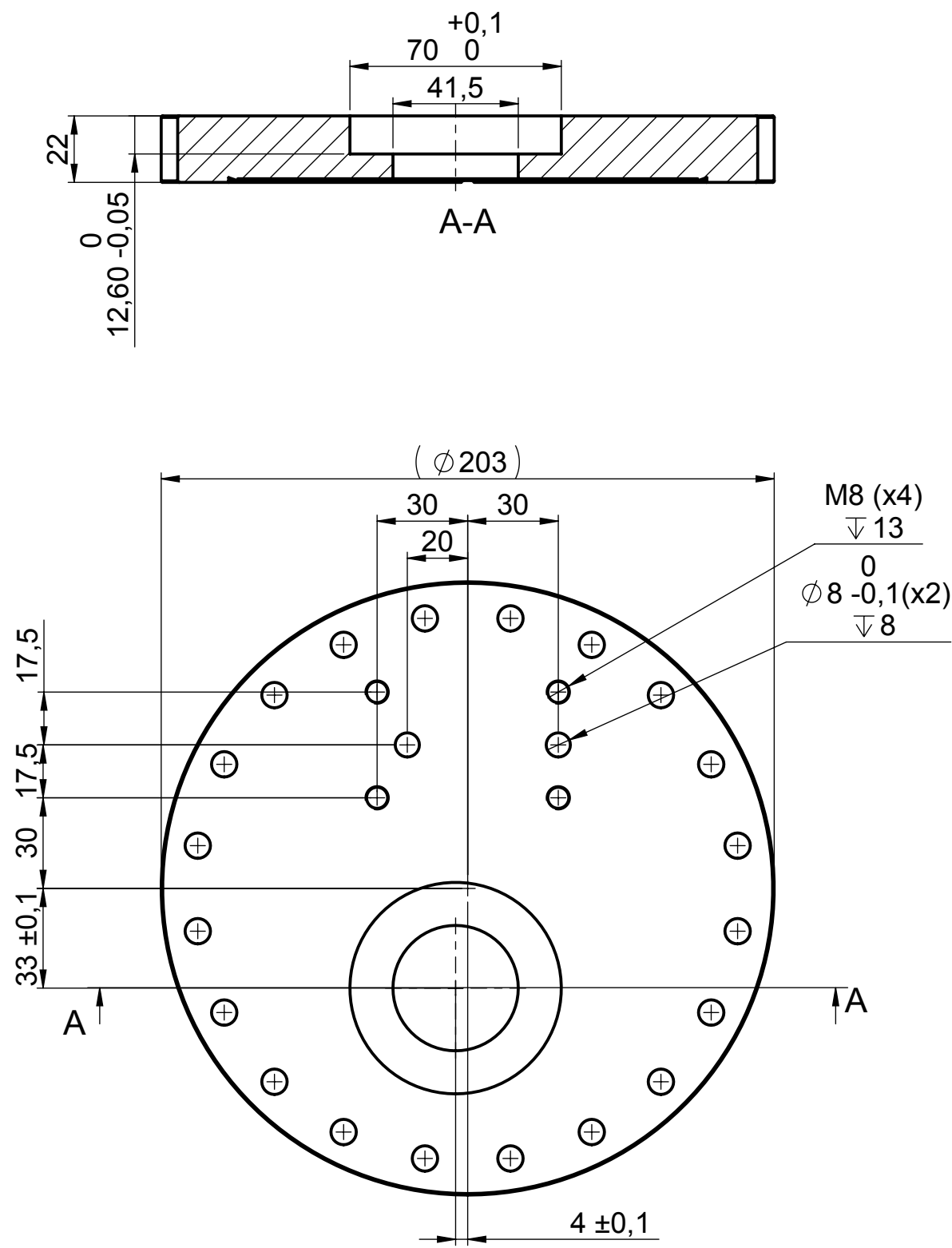


| | | | | | | |
|----------|---------|----------|----------------------|------------|-----------------------------|----------------------|
| DRAWN BY | CHECKED | APPROVED | OWNER | PROJ. TYPE | DEBUR AND BREAK SHARP EDGES | DO NOT SCALE DRAWING |
| M.Noor | N.J | - | R.Ruber / M.Jacewicz | | | |

| ITEM NO. | QTY. | DESCRIPTION | Drw / Art Nr. |
|----------|------|---------------------------|---------------|
| 1 | 1 | DN160CF Flange | 0038 - 1451 |
| 2 | 1 | DN40CF Manipulator Flange | 0038 - 1142 |

| | | | |
|---|---|------------|---|
|  UPPSALA UNIVERSITET |  Ingström Verkstad | TOLERANCES | PROJECT |
| | | ISO-2768-m | Uppsala / CLIC X-Band Spectrometer |
| | | ROUGHNESS | TITLE |
| | | | DN160CF MANIPULATOR FLANGE ASSM. |
| SCALE | DRAWING NO. | REVISION | RELEASE DATE |
| 1:1 | 0038 - 1450 | A | 21.01.14 |
| | | SHEET | SIZE |
| | | 1 of 3 | A3 |

A
B
C
D
E
F

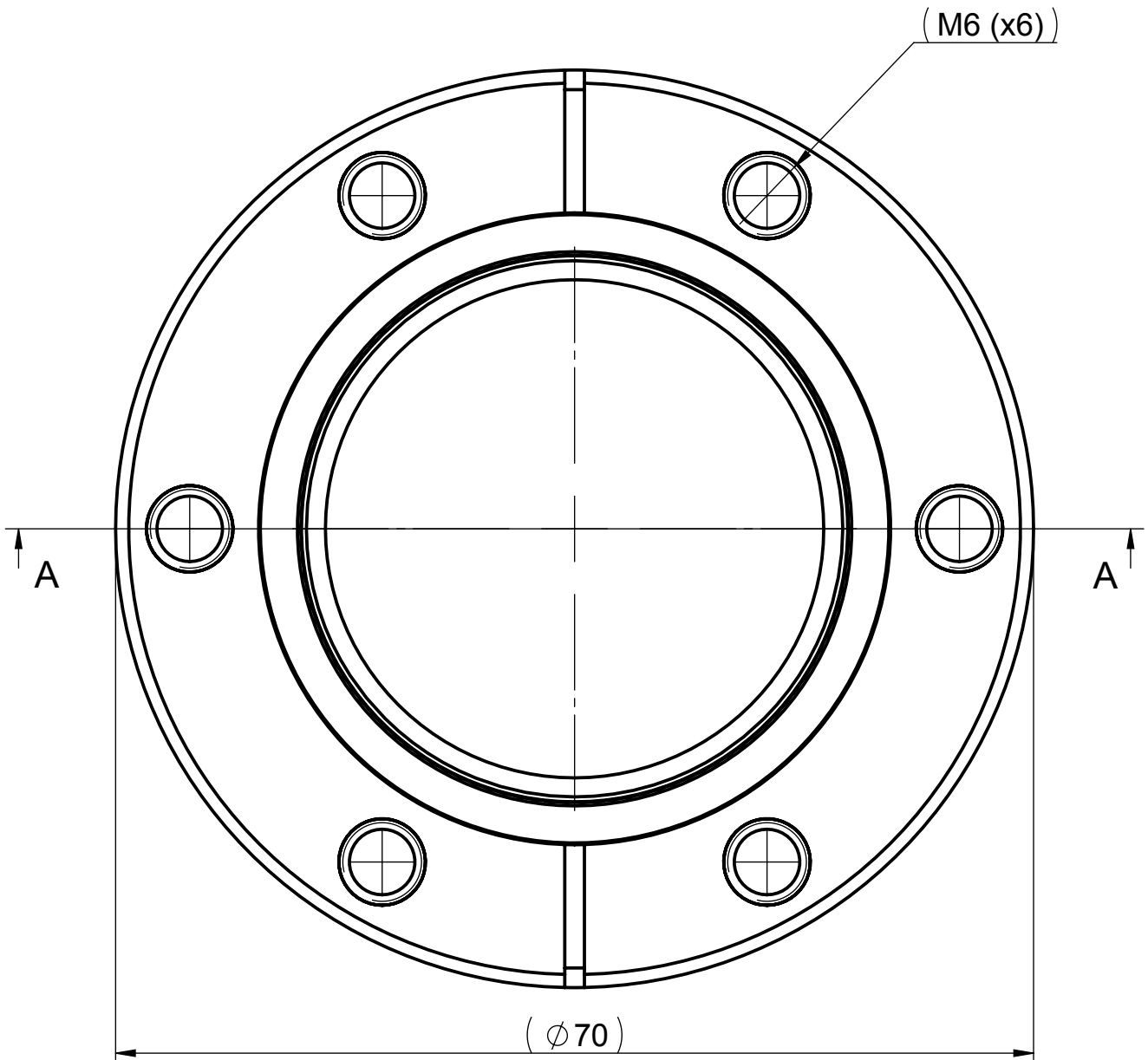
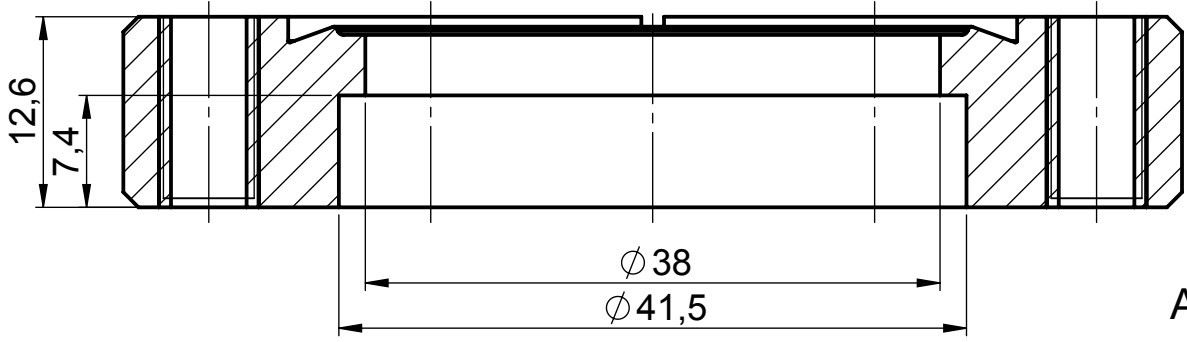


| ITEM NO. | QTY. | DESCRIPTION | Drw / Art Nr. |
|----------|------|----------------|------------------|
| 1 | 1 | DN160CF Flange | Vaqtec 2-CF-0148 |

| | | | | | | |
|---------------------------|-----------------------|---|-------|----------------|-----------------------------|----------------------|
| DRAWN BY M.Noor | CHECKED N.J | APPROVED R.Ruber / M.Jacewicz | OWNER | PROJ. TYPE | DEBUR AND BREAK SHARP EDGES | DO NOT SCALE DRAWING |
|---------------------------|-----------------------|---|-------|----------------|-----------------------------|----------------------|

| | | | | | | | |
|-------------------------|-----------------------|------------|---|--------|------|--|--|
| UPPSALA UNIVERSITET | Ingström Verkstad | TOLERANCES | PROJECT | | | | |
| | | ISO-2768-m | Uppsala / CLIC X-Band Spectrometer | | | | |
| | | ROUGHNESS | TITLE | | | | |
| | | Ra 3.2 | DN160CF MANIPULATOR FLANGE | | | | |
| SCALE | DRAWING NO. | REVISION | RELEASE DATE | SHEET | SIZE | | |
| 1:2 | 0038-1451 | A | 21.01.14 | 2 of 3 | A4 | | |

This document must not be copied without our written permission, and the contents thereof must not be imparted to a third party nor be used for any unauthorized purpose. Contravention will be prosecuted.



| ITEM NO. | QTY. | DESCRIPTION | Drw / Art Nr. |
|----------|------|---------------------------|------------------|
| 1 | 1 | DN40CF Manipulator Flange | Vaqtec 2-CF-0056 |

| | | | | | | |
|----------|---------|----------|----------------------|------------|-----------------------------|----------------------|
| DRAWN BY | CHECKED | APPROVED | OWNER | PROJ. TYPE | DEBUR AND BREAK SHARP EDGES | DO NOT SCALE DRAWING |
| M.Noor | N.J | | R.Ruber / M.Jacewicz | | | |

| | | | | | | |
|----------------------------|--------------------------|------------|------------------------------------|----------|--------------|-------|
| UPPSALA UNIVERSITET | Ingström Verkstad | TOLERANCES | PROJECT | | | |
| | | ISO-2768-m | Uppsala / CLIC X-Band Spectrometer | | | |
| | | ROUGHNESS | TITLE | | | |
| | | Ra 3.2 | DN40CF Manipulator Flange | | | |
| | | SCALE | DRAWING NO. | REVISION | RELEASE DATE | SHEET |
| 2:1 | 0038-1142 | A | 20.01.14 | 3 of 3 | A4 | |

This document must not be copied without our written permission, and the contents thereof must not be imparted to a third party nor be used for any unauthorized purpose. Contravention will be prosecuted.