

1

2

3

4

REV.	DESCRIPTION	DATE	APPROVED
B	Holes changed to $\varnothing 6.40$ and moved to 85 mm. Holes moved from 21 mm to 20 mm		M.N
c	NEW M10 (x4) MADE FOR LEAD SUPPORT	11.02.10	

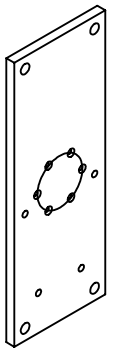
A

B

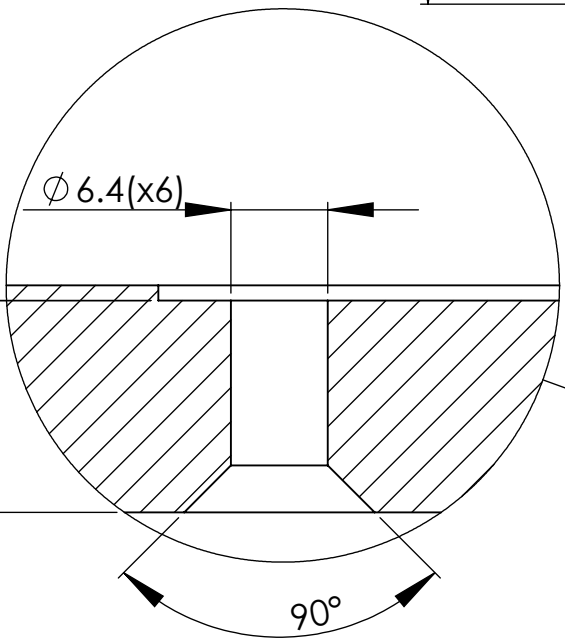
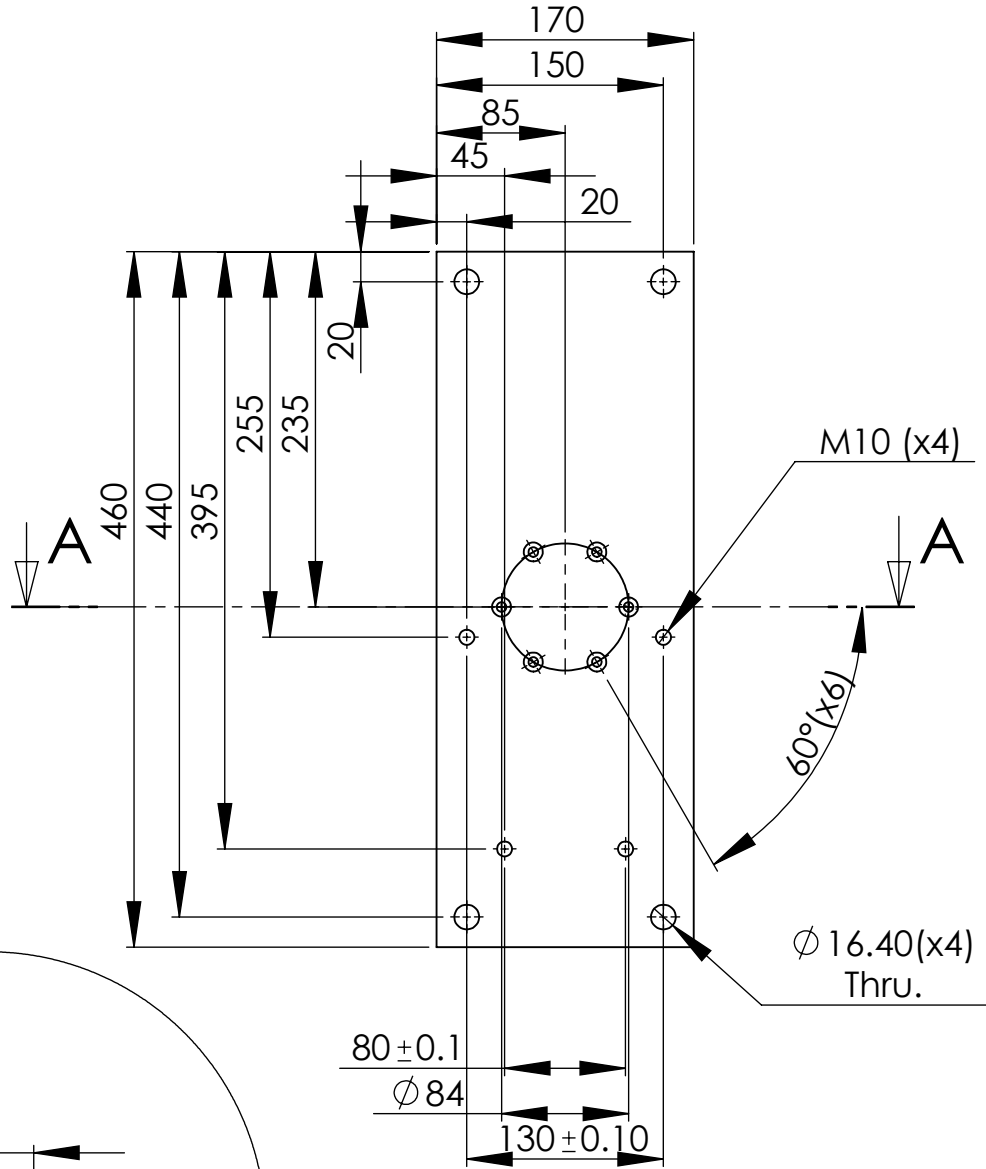
C

D

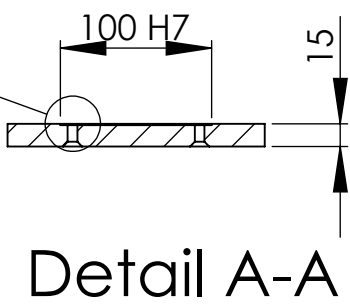
E



1:10



SCALE 2 : 1



Detail A-A

1	1	SS4212 / AW-6082	BASE PLATE	
NR	PCS	MATERIAL	PART	DESCRIPTION

DRAWN BY	CHECKED	APPROVED	OWNER	PROJ. TYPE	DEBUR AND BREAK SHARP EDGES	DO NOT SCALE DRAWING
M.N	N.J		R.R			

<p>UPPSALA UNIVERSITET</p>	<p>CAI</p> <p>CENTER FOR ACCELERATOR AND INSTRUMENT DEVELOPMENT</p>	TOLERANCES	PROJECT				
		ISO-2768-m	BASE PLATE				
		ROUGHNESS	TITLE				
		Ra 3.2	TBTS MTV				
		SCALE	DRAWING NO.	REVISION	RELEASE DATE	SHEET	SIZE
1:5	901-005	C	09.09.09	1 of 1	A4		