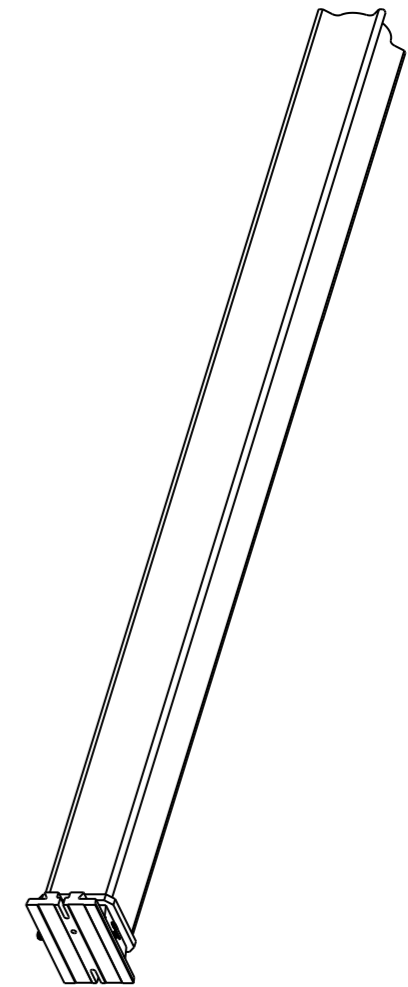
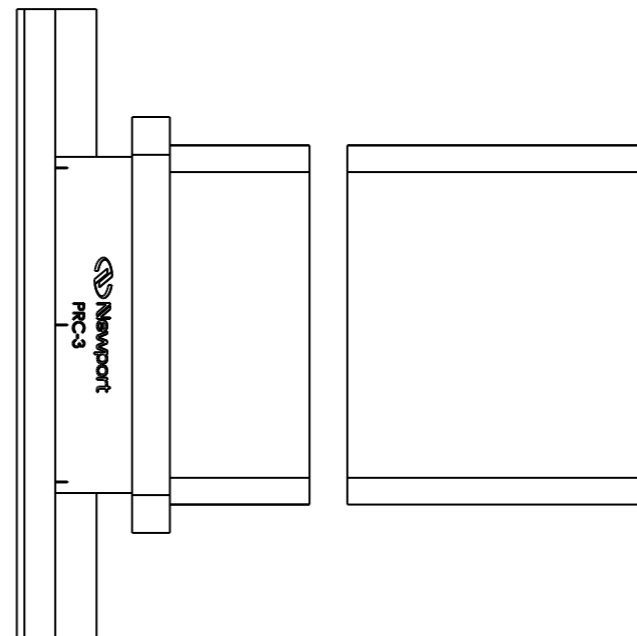
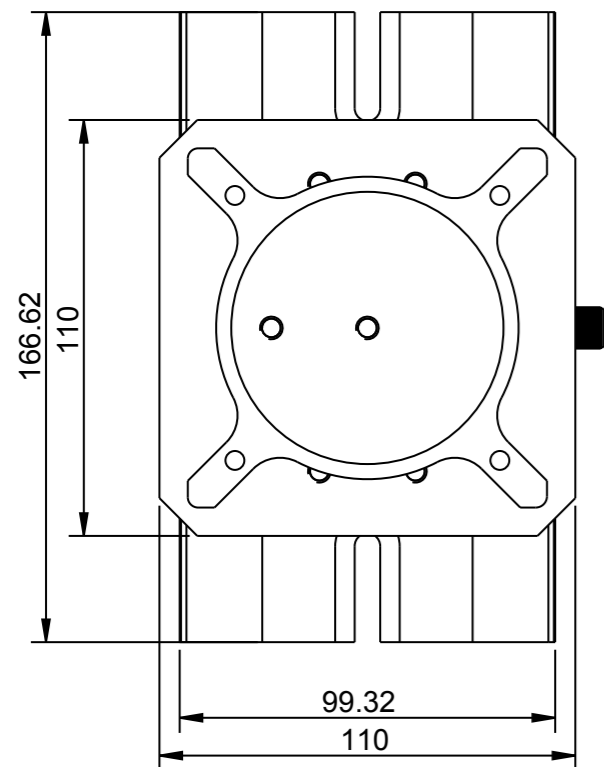


SCALE 2:5



1:10



6	1	NEWPORT_STRUCTURAL_RAIL_X95	ALUMINIUM	NEWPORT X95 150mm
5	1	NEWPORT_OPTICAL_RAIL	ALUMINIUM	MODEL PRL-6
4	6	HEXAGONAL_SOCKET_SCREW_M6_18	STEEL	M6 X 18
3	4	HEXAGONAL_SOCKET_SCREW_M6X25	STEEL	M6 X 25
2	1	NEWPORT-CARRIER	ALUMINIUM	PRL-MPRC3
1	1	RAIL_ADAPTOR	SS 4212 / AW 6082	901-006

Nr.	Ant.	Filnamn	Material/standard	REMARK / ART.NO
-----	------	---------	-------------------	-----------------

DESIGNED BY M.Noor	VERIFIED N.Johansson	RELEASED DATE 10.09.09	IF NOT OTHERWISE STATED TOLERANCES ARE ACC. TO SS-ISO 2768- m	GENERAL SURF FINISH Ra 3.2	SCALE 1:2
-----------------------	-------------------------	---------------------------	--	-------------------------------	--------------

UPPSALA UNIVERSITY

Department of

PHYSICS AND ASTRONOMY, CAI

TITLE
X95 RAIL ADJUST

PROJECT NAME
TBTS MTV

MATERIAL

DRAWING NO.
901-008

DWG SIZE
A3

SHEET
1 OF 1

REVISION
A