

1

2

3

4

REVISIONS

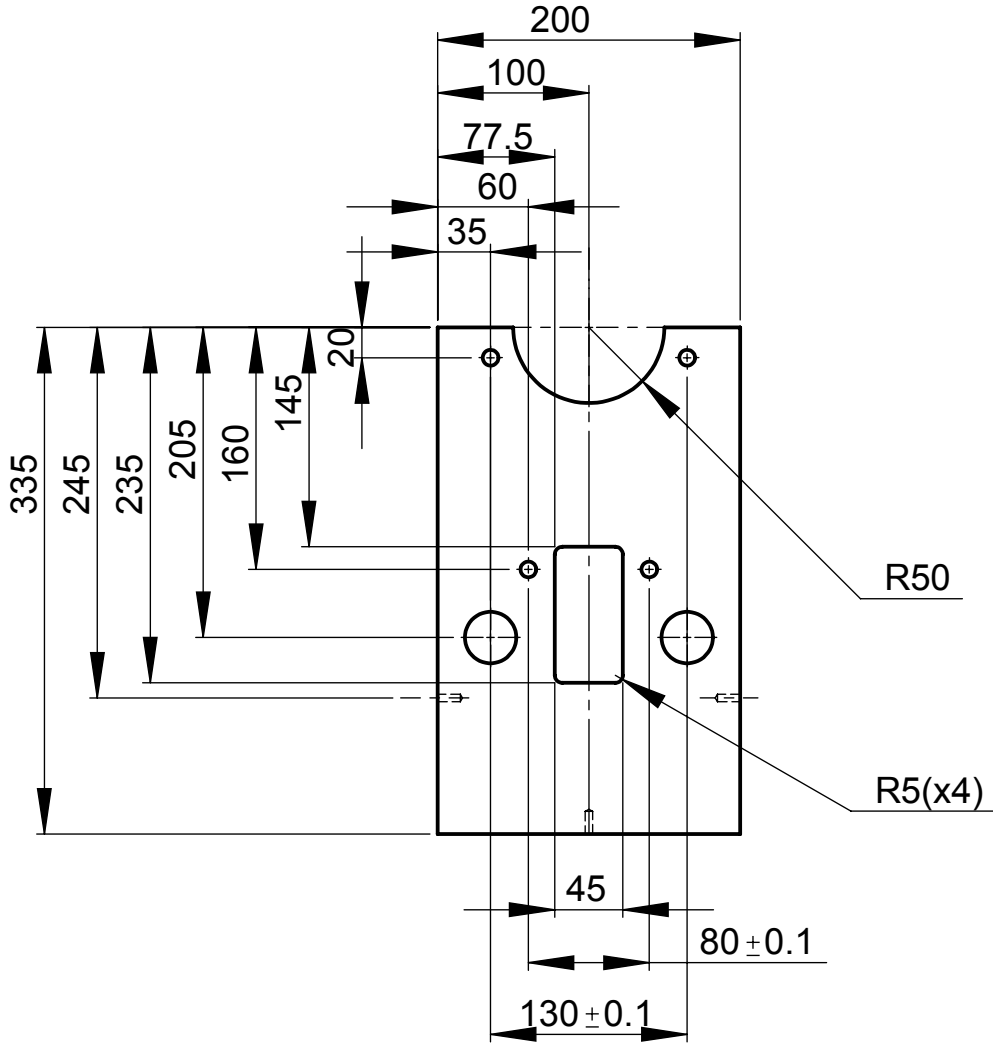
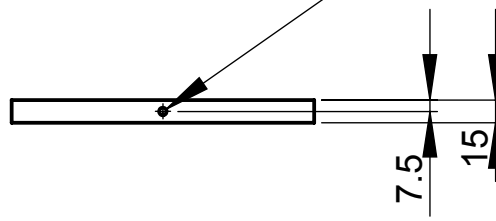
REV.

DESCRIPTION

DATE

APPROVED

M6(x3)
Depth 20



1

1

LEAD SUPPORT
PART

DESCRIPTION

DRAWN BY CHECKED APPROVED OWNER

PROJ. TYPE

DEBUR AND BREAK
SHARP EDGES

DO NOT SCALE
DRAWING

M.N

N.J

W.F

R.R



UPPSALA
UNIVERSITET

CAI

CENTER FOR
ACCELERATOR
AND INSTRUMENT
DEVELOPMENT

TOLERANCES

PROJECT

ISO-2768-m

TBTS MTV

ROUGHNESS

TITLE

Ra 3.2

LEAD SUPPORT

SCALE

DRAWING NO.

REVISION

RELEASE DATE

SHEET

SIZE

1:5

901-015

A

11.02.10

1 of 1

A4