

REVISIONS

REV.	DESCRIPTION	DATE	APPROVED
------	-------------	------	----------

A

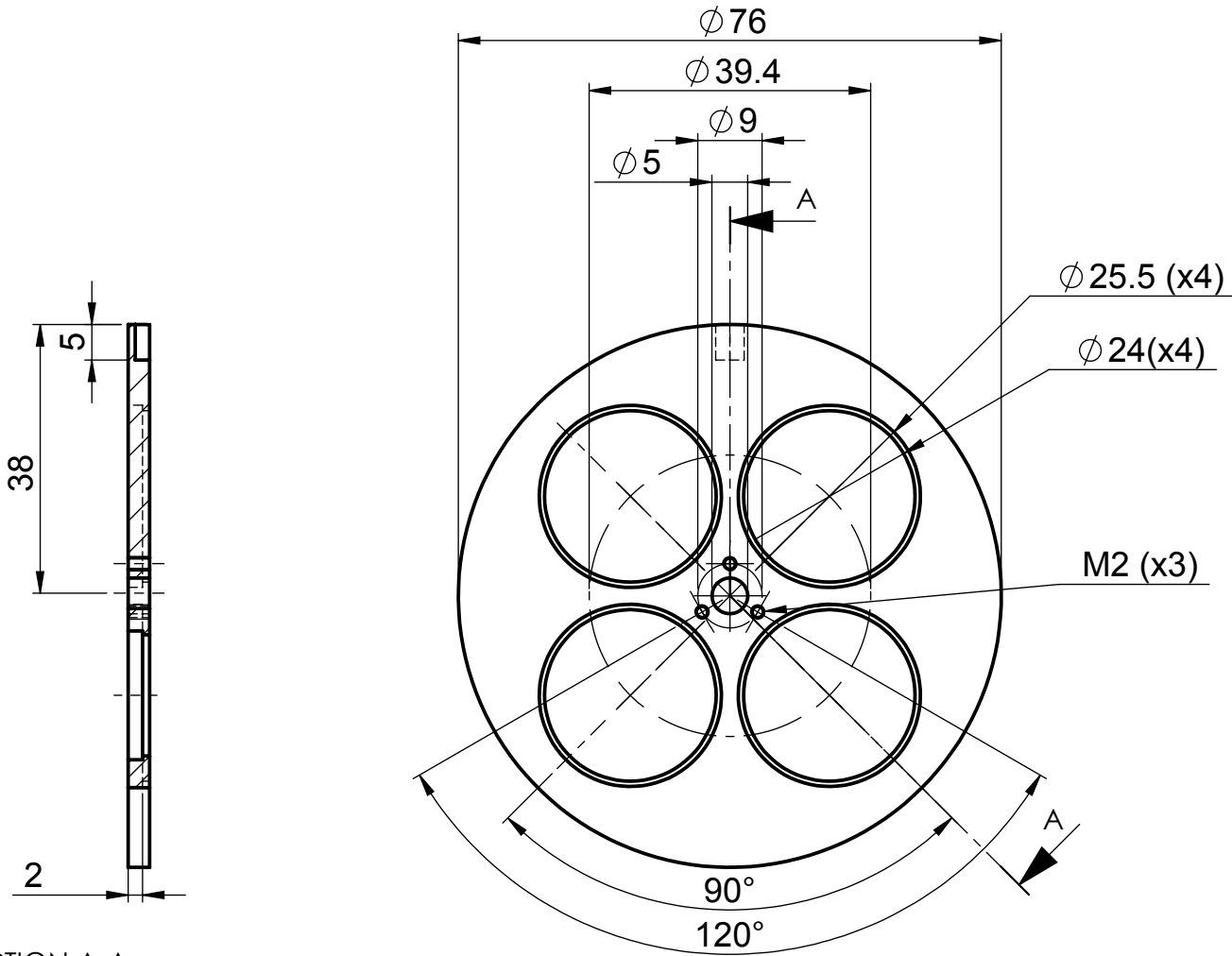
B

C

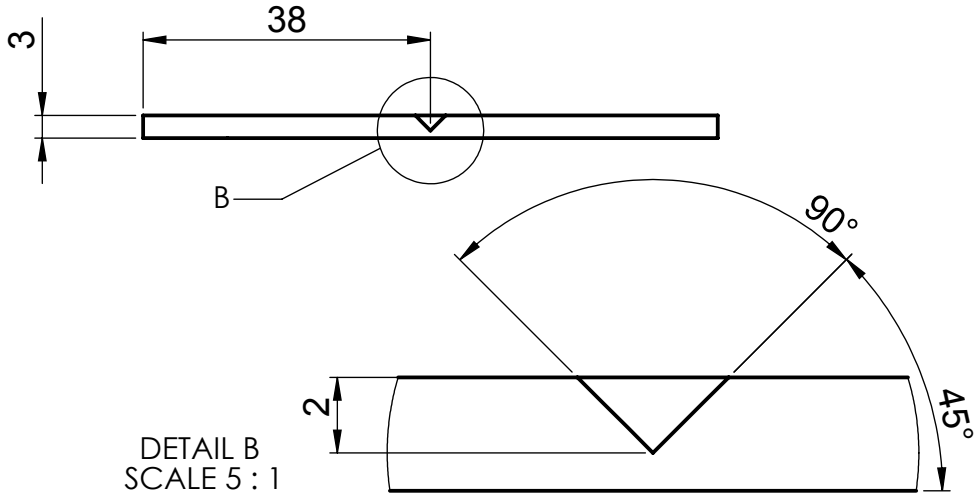
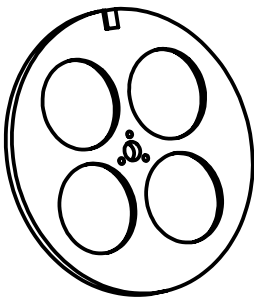
D

E

F



SECTION A-A



DETAIL B
SCALE 5:1

1	1	AW -6082	FILTER WHEEL	FILTER WHEEL
NR	PCS	MATERIAL	PART	DESCRIPTION

DRAWN BY	CHECKED	APPROVED	OWNER	PROJ. TYPE	DEBUR AND BREAK SHARP EDGES	DO NOT SCALE DRAWING
M.N	N.J	.	R.R			

<p>UPPSALA UNIVERSITET</p>	<p>CAI</p> <p>CENTER FOR ACCELERATOR AND INSTRUMENT DEVELOPMENT</p>	TOLERANCES	PROJECT				
		ISO-2768-mK	TBTS MTV				
		ROUGHNESS	TITLE				
		Ra 3.2	FILTER WHEEL				
		SCALE	DRAWING NO.	REVISION	RELEASE DATE	SHEET	SIZE
1:1	901-020	A	19.02.10	1 of 1	A4		

This document must not be copied without our written permission, and the contents thereof must not be imparted to a third party nor be used for any unauthorized purpose. Contravention will be prosecuted.