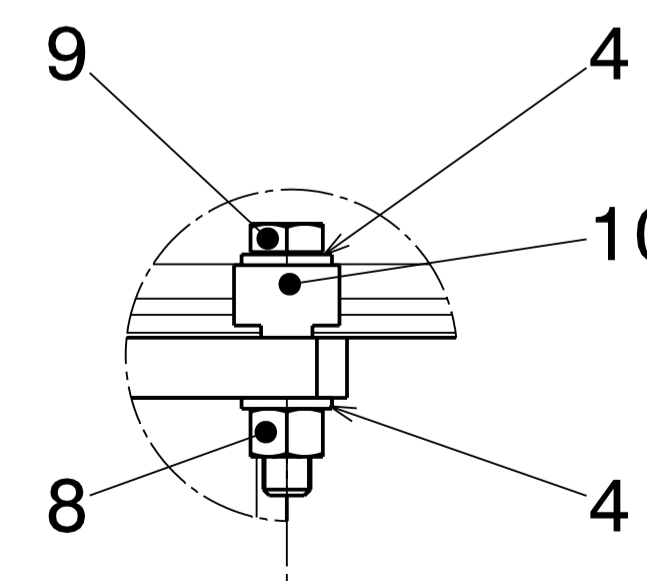


Detail A
Scale : 2:5



Detail B
Scale : 2:5

8	FLAT TOP FIXING CRAPAUD	10	STEEL ACIER	LINDAPTER TYPE "B" - B16M	
8	HEXAGON SCREW M16x80	9	STEEL ACIER	BOSSARD BN57	
8	VIS A TETE HEXAGONALE M16x80	8	STEEL ACIER	BOSSARD BN117	
6	NUT M16	7	STEEL ACIER	BOSSARD BN630	
6	ECROU M16	6	STEEL ACIER	SUPPLIED BY NORELEM	
6	PLAIN WASHER M20	6	STEEL ACIER	BOSSARD BN715	
6	RONDELLE PLATE M20	5	STAINLESS STEEL	NORELEM SAS : M20, L=125mm 27828_201252	
6	ADJUSTING FOOT	4	INOX	NORELEM SAS : forme A, Ø=80mm 27817-10802	
22	PIED REGLABLE	4	STEEL ACIER	BOSSARD BN715	
6	PLAIN WASHER M16	3	STEEL ACIER	BOSSARD BN 57	
1	RONDELLE PLATE M16	2		CTFHBEAM0023	
1	HEXAGON SCREW M16x120	1		CTFHBEAM0068	
1	VIS A TETE HEXAGONALE M16x120				
1	GIRDER 2200 MM ASSEMBLY - GIRDER 2200 MM				
1	ENSEMBLE POUTRE 2200 MM - POUTRE 2200 MM				
2	GIRDER PILLAR - H 600 MM				
1	PILIER POUTRE - H 600 MM				
	DESCRIPTION	POS	MAT.	OBSERVATIONS	REF.CERN
QUANT.	ENS/ASS			S.ENS/S.ASS	
Mechanics, Supports and Handling - Beam				ECHELLE SCALE	DES/DRA. CONTROLLED
GIRDER L= 2200MM ASSEMBLY				1:5	ACROTECNA 2007-07-10
POUTRE L= 2200MM ENSEMBLE				RELEASED	
				APPROVED	
				CTF\HBEAMO\CTFHBEAM0024	
				REPLACE/REPLACES	
NON VALABLE POUR EXECUTION NOT VALID FOR EXECUTION				OAC	SIZE IND.
- CTFHBEAM0024				1	

DES/STA. RIPOSTE/LES TOLERANCES
 LA REVISION/REVISIONES
 DRAWING TOLERANCES
 ACCORDING TO ISO STANDARDS
 EUROPEAN ORGANIZATION FOR NUCLEAR RESEARCH
 THIS DRAWING MAY NOT BE USED FOR COMMERCIAL PURPOSES WITHOUT WRITTEN AUTHORIZATION