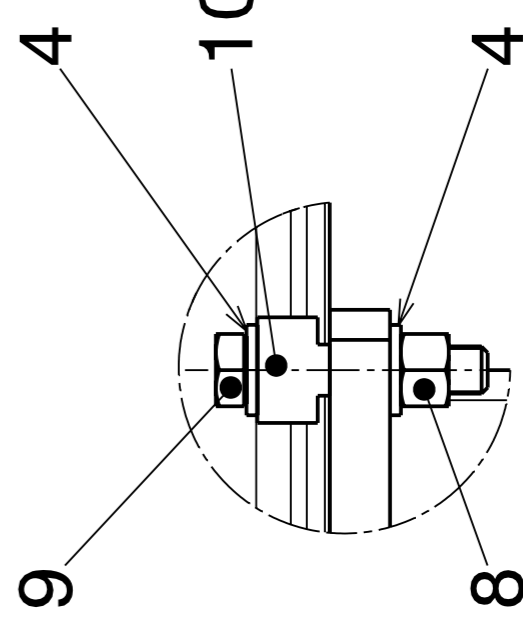


Detail A  
Scale : 2:5



Detail B  
Scale : 2:5

QUANT.	DESCRIPTION	POS	MAT.	OBSERVATIONS	REF. CERN
8	FLAT TOP FIXING	10	STEEL	LINDAPTER TYPE "B" - B16M	
	CRAPAUD		ACTIER		
8	HEXAGONAL SCREW M16x80	9	STEEL	BOSSARD BN67	
8	VIS A TETE HEXAGONALE M16x80	9	ACTIER		
8	NUT M16	8	STEEL	BOSSARD BN117	
8	ECROU M16	8	ACTIER		
6	THIN NUT M20	7	STEEL	BOSSARD BN630	
6	ECROU FIN M20	7	ACTIER	SUPPLIED BY NORELEM	
6	PLAIN WASHER M20	6	STEEL	BOSSARD BN715	
6	RONDELLE PLATE M20	6	ACTIER		
6	ADJUSTING FOOT	5	STAINLESS STEEL	NORELEM SAS : M20, L=125mm 27828, 201232	
6	PIED REGLABLE	5	INOX	NORELEM SAS : FORM A, Ø=80mm 27817-1082	
22	PLAIN WASHER M16	4	STEEL	BOSSARD BN715	
6	RONDELLE PLATE M16	4	ACTIER		
6	HEXAGON SCREW M16x120	3	STEEL	BOSSARD BN 57	
1	VIS A TETE HEXAGONALE M16x120	3	ACTIER	CTFHBEAM0021	
1	ENSEMBLE POUTRE 1900 MM - POUTRE 1900 MM	2			
2	GIRDER PILLAR - H 600 MM	1		CTFHBEAM0068	
2	PILLIER POUTRE - H 600 MM	1			

ENS/ASS	S - ENS/S - ASS	REPLACE/REPLACES	SIZE TRD.
MECHANISMS, SUPPORTS and HANDLING - BEAM			
GIRDER L=1900MM		B. FAVRAT 2007-09-18	
ASSEMBLY		CONTROLLED	
POUTRE L= 1900MM		RELEASED	
ENSEMBLE		APPROVED	
NON VALABLE POUR EXECUTION		CTFHBEAM0079	1
NOT VALID FOR EXECUTION		CTFHBEAM0079	1