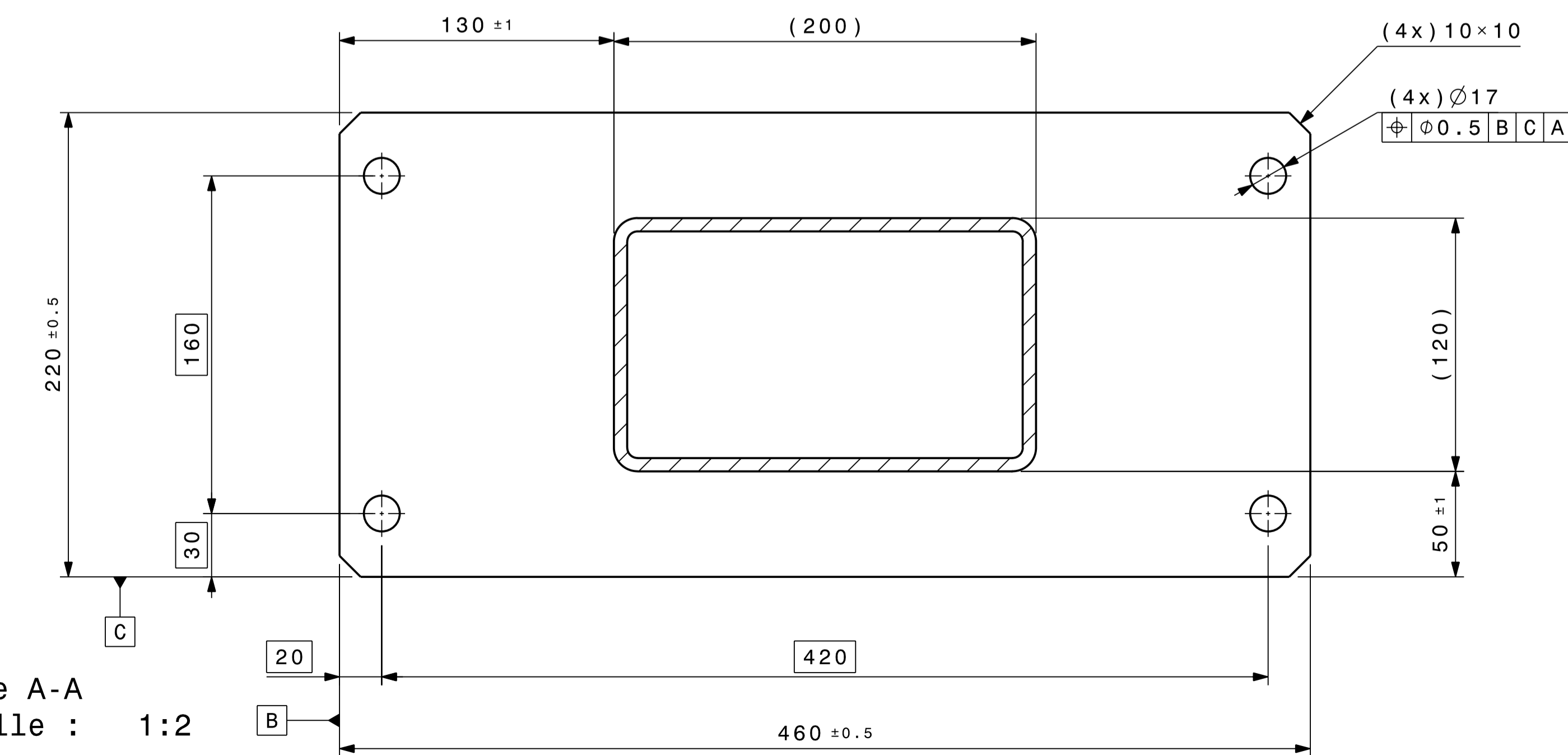
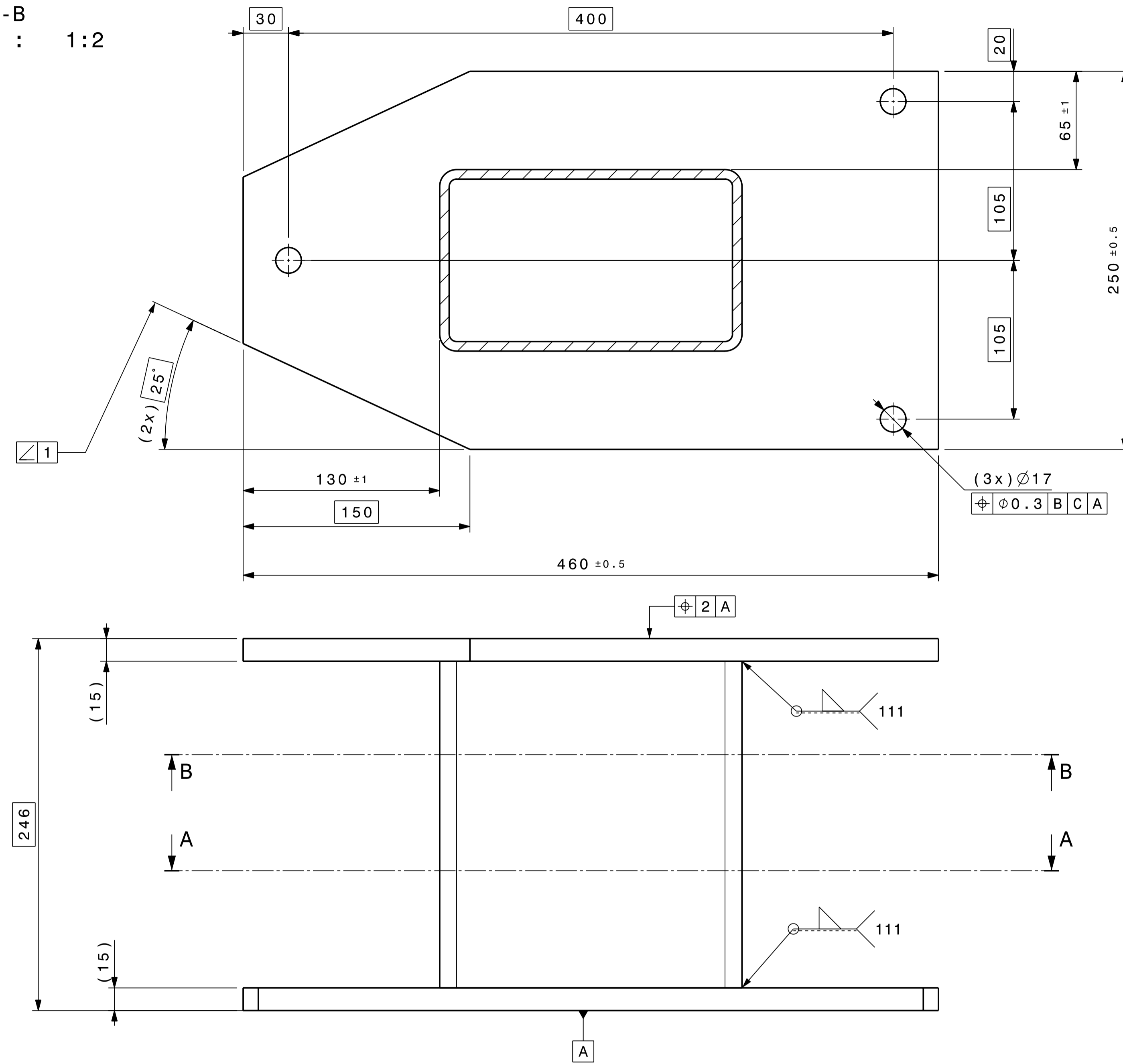
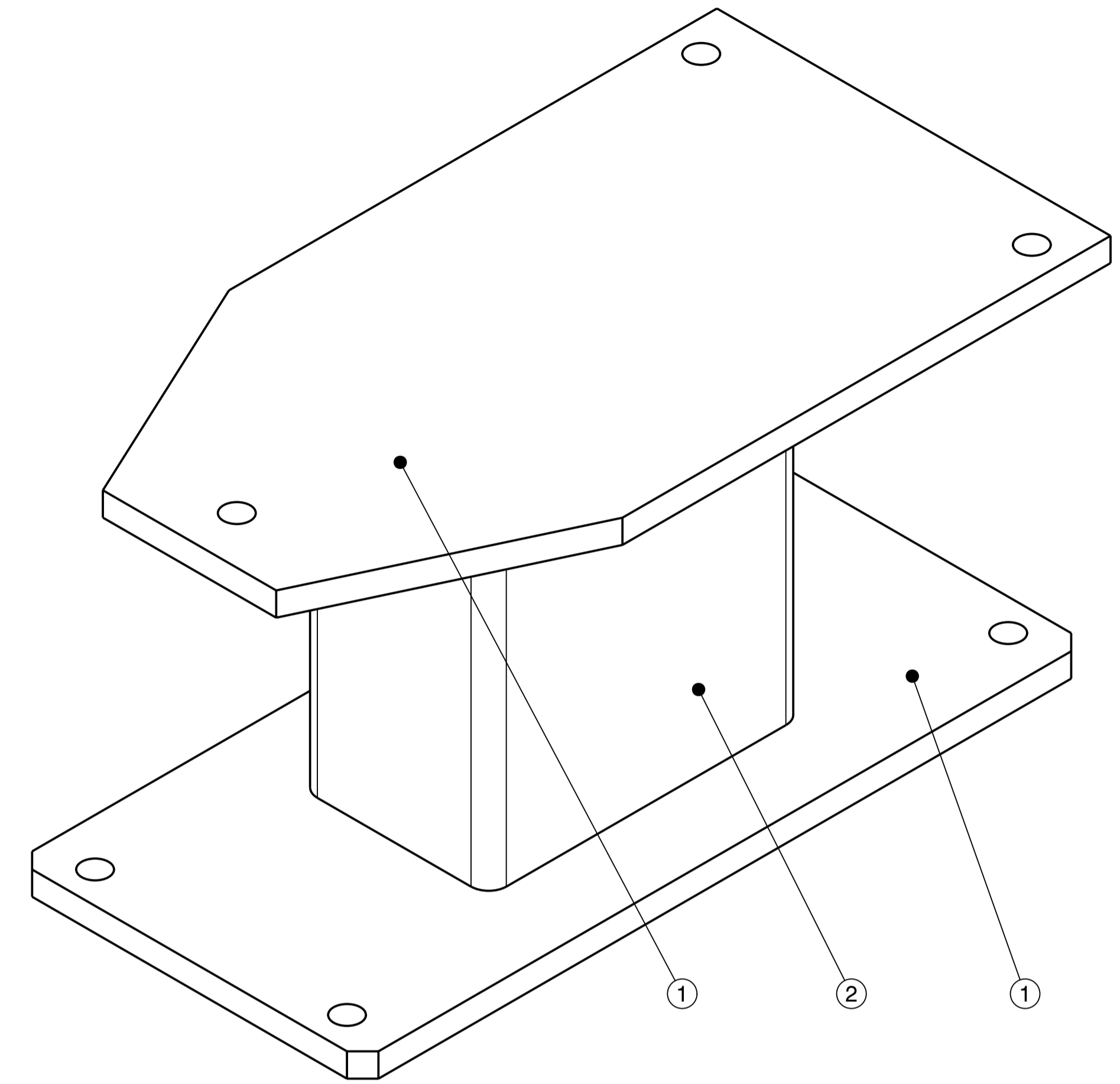


Coupe B-B
Echelle : 1:2



Coupe A-A
Echelle : 1:2



Vue isométrique

- PROTECTION (voir spec.technique)
- Sablage
 - 1 couche peinture antirouille
 - 2 couches de peinture synthétique jaune chrome clair VSM 4 E 401 ,DIN (RAL) 1016
- PROTECTION (see technical spec)
- Sandblasting before painting
 - 1 Layer anti-rust coating
 - 2 Layers of synthetic coating,clear yellow VSM 4 E 401 ,DIN (RAL) 1016

Masse: 12kg
Mass

Ra3.2

1	TUBE 200x120x6.3	2	Fe 430 D		
	TUBE 200x120x6.3		Fe 430 D		
2	SHEET - TH.15	1	ST. S235JR		44.43.32
	TOLE Ep 15		Ac S235JR		015.6
QUANT.	DESCRIPTION	POS	MAT.	OBSERVATIONS	REF.CERN
ENS/ASS	CTFMQUA_0186		S.ENS/S.ASS	CTFMQUA_00189	
CTF3 MAGNET QUADRUPOLE				ECHELLE	DES/DRA.
QD SUPPORT ASSEMBLY				SCALE	B. FAVRAT
FOOT				1:2	2007-04-12
ENSEMBLE SUPPORT QD				CONTROLLED	
PIED				RELEASED	
				APPROVED	
				CTF\MQUA_0\CTFMQUA_0190	
				REPLACE/REPLACES	
NON VALABLE POUR EXECUTION				OAC	SIZE
NOT VALID FOR EXECUTION				-	IND.
CTFMQUA_0190				1	

ISO 2768-mK-E
ISO 13715
TOLERANCES GEOMETRIQUES
TOLERANCES DE FORME NON
DEFINIES
TOLERANCES
DESIGN RIGIDITY TOLERANCES
DRAWING RIGIDITY TOLERANCES
ACCORDING TO ISO STANDARDS
PROJECTION
ORIGINALE ET REPRODUCTION
LA REPRODUCTION NUCLEAIRE
EUROPEAN ORGANIZATION FOR NUCLEAR RESEARCH
BY ORDER OF THE DIRECTOR GENERAL OF THE ORGANIZATION
THIS DOCUMENT MAY NOT BE USED FOR COMMERCIAL PURPOSES WITHOUT WRITTEN AUTHORIZATION