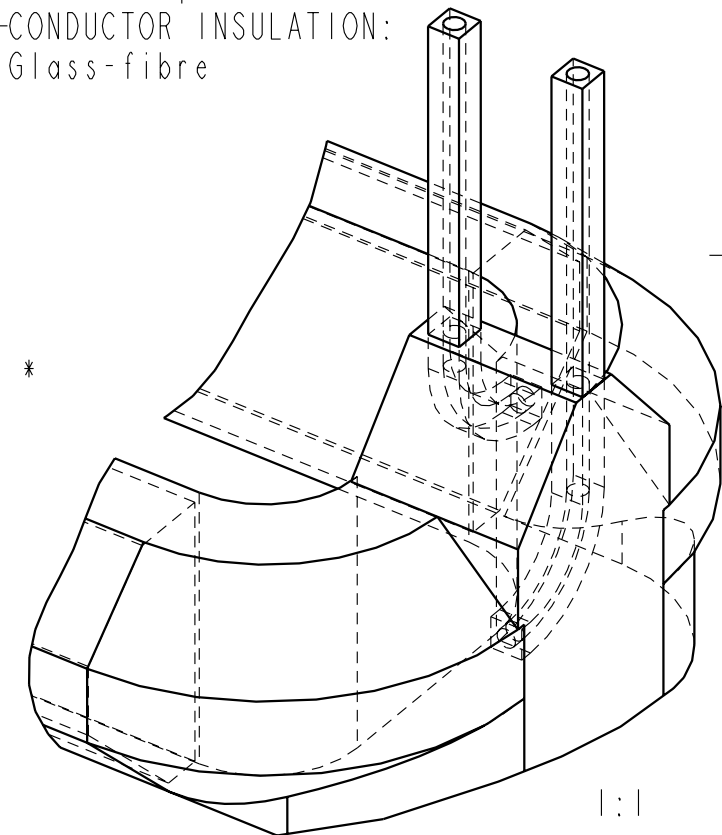
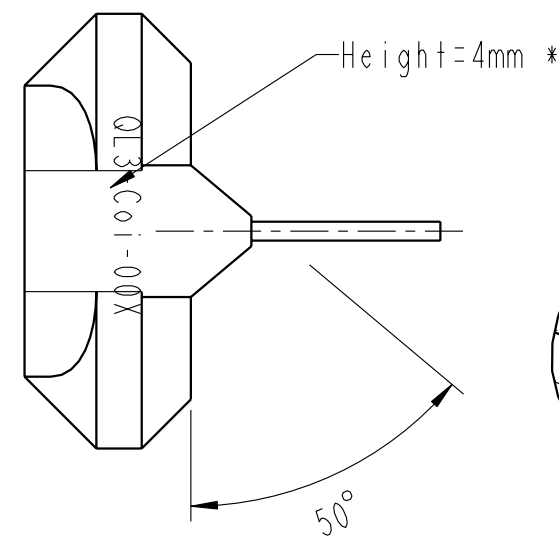
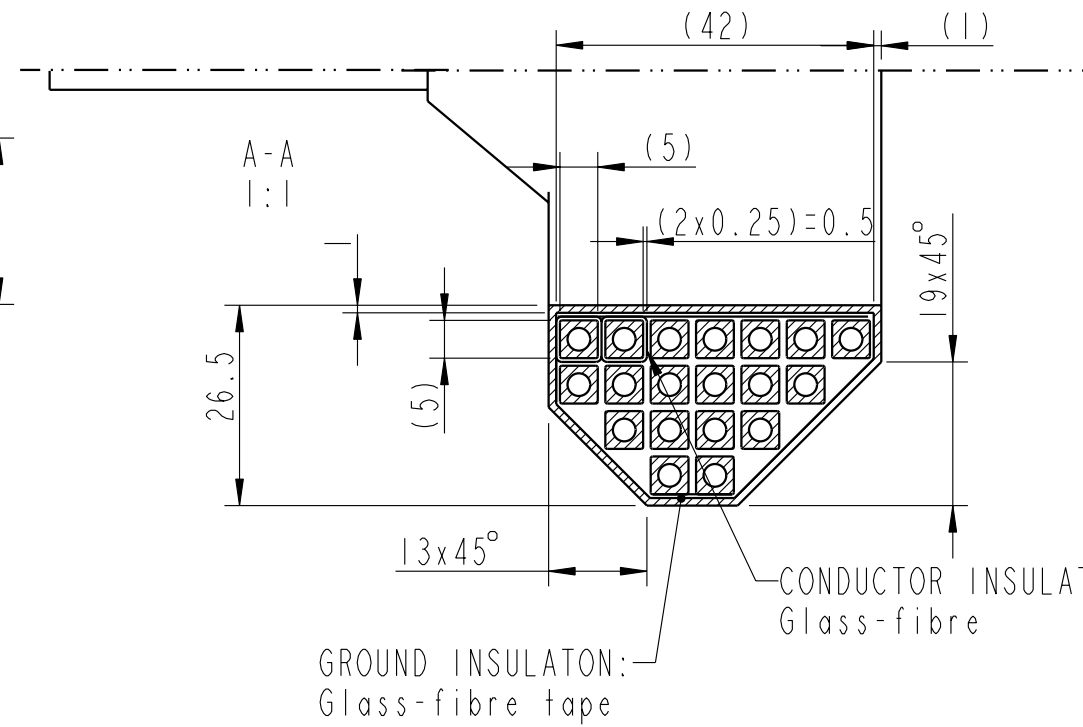


Coil impregnated
in radiation resistant epoxy resin

Utg.	Ändring	Datum	Införd av
1	225 var 220: 61 var 60: 27.5 var 28: klacken ändrad	2003-11-10	JE
2	62 was 61: 44 was 46: 115 was 116: 13 was 13.5: 19 was 19.5: 50° was 55°	2004-01-07	JE
3	Tol on 279 and 115 changed	040307	JE



* QL3-Coi-00X being the serial number of the coil.

Pos.	Antal	Benämning	Material	Mod/Typ/Dim	Anmärkning
		Hollow Conductor	COPPER -OF	5x5 id=3	
Tolerans där ej annat angivits		Titel		Skala	Proj. metod
ISO 2768-f		COIL		1:2	Proj. metod
Ytbehandling		QUADRUPOLE QL-3		Ritad	Godk.
-		COIL		Datum	Rev.
		SCANDITRONIX MAGNET		03-09-04	3
				Ritn. nr	
				QMPA-0509	