

PROJECTION

Ce dessin ne peut être utilisé à des fins commerciales sans autorisation écrite.
This drawing may not be used for commercial purposes without written authorisation

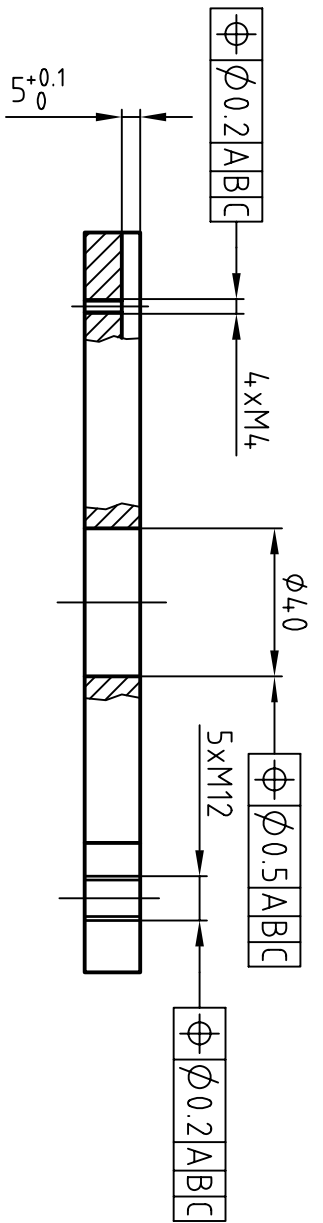
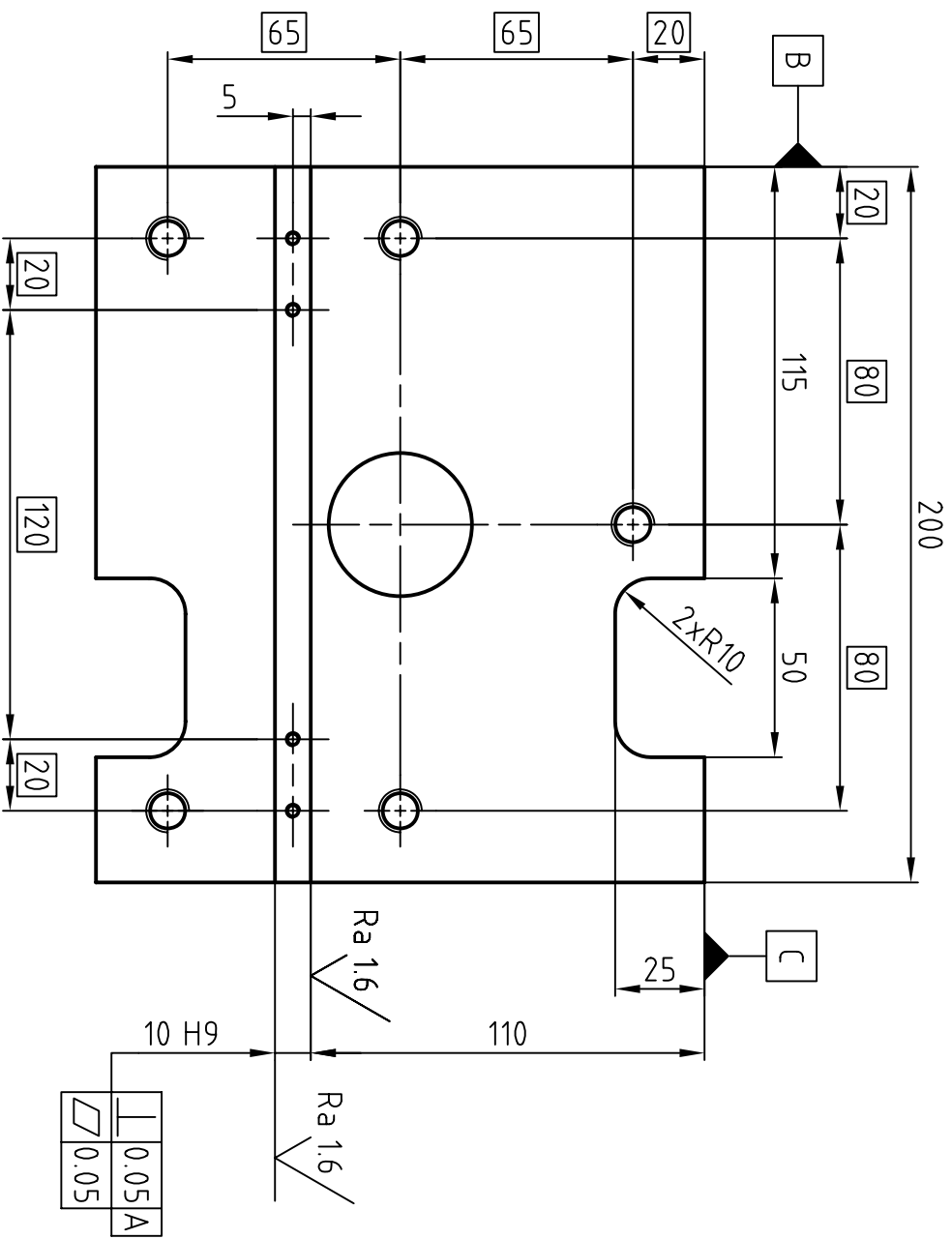
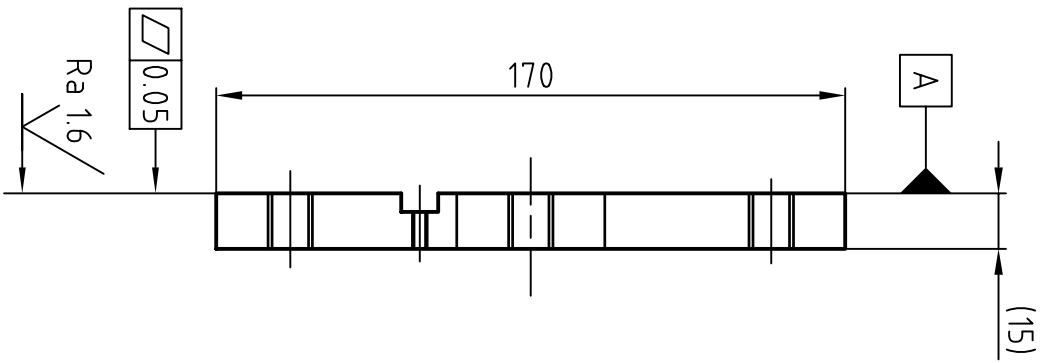
IND.	DATE	NOM/NAME	ZONE	MODIFICATION

ISO 13715
ISO 2768-mK

-0.5
 -0.3
 $+0.2$

Ra 3.2

Masse 1,2 Kg
Mass



QUANT.	1	SHEET TH. 15	1	AL Si 1 Mg	44.02.30
		TOLE T. REV. DUR EP. 15	1	ANTICORODAL	115.5
		DESCRIPTION	POS	MAT.	OBSERVATIONS
		ENS/ASS	CTFVGPUM0007	SENS/S.ASS	REF.CERN
		CTF3 VACUUM - GENERAL PUMPING		ECHELLE SCALE 1:2	
		PUMPING POT SUPPORT		DES/DRA. N. MERMILLIOD 2006-04-04	
		MOBILE PLATE		CONTROLLED	
		SUPPORT CORPS DE POMPE		RELEASED	
		PLAQUE MOBILE		APPROVED	
				CTF\VGPM0\VGPM010	
				REPLACE/REPLACES	
		NON VALABLE POUR EXECUTION		CTFVGPUM0010	
		NOT VALID FOR EXECUTION		SIZE 3	

7

6

5

4

3

2

1