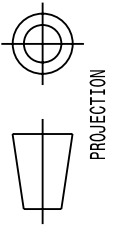
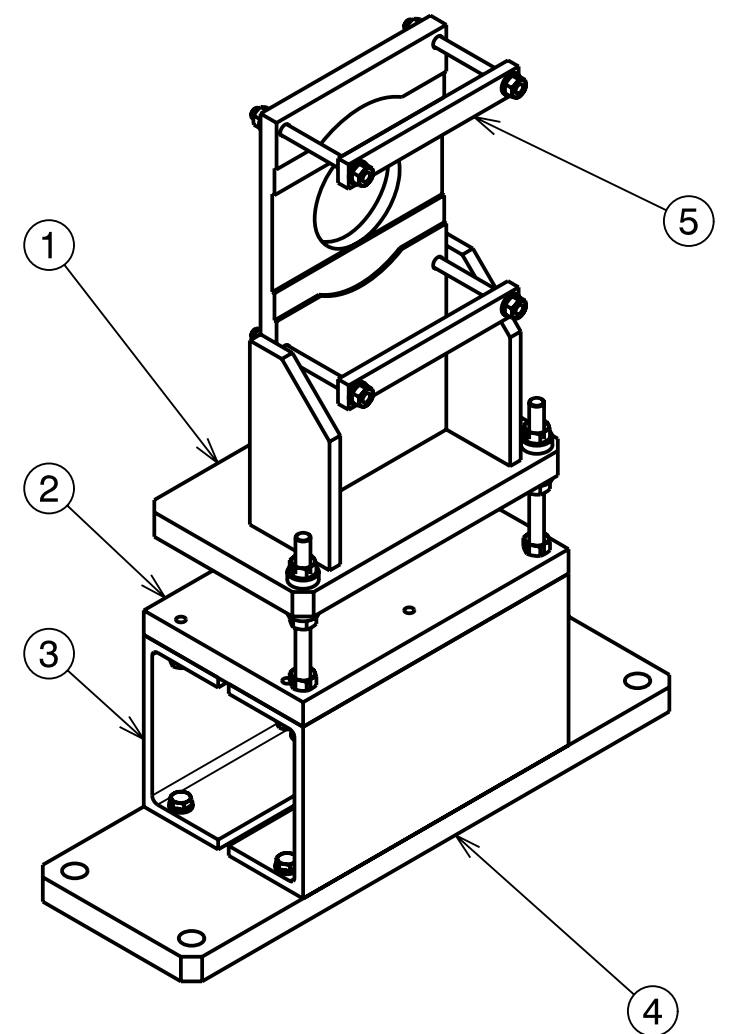
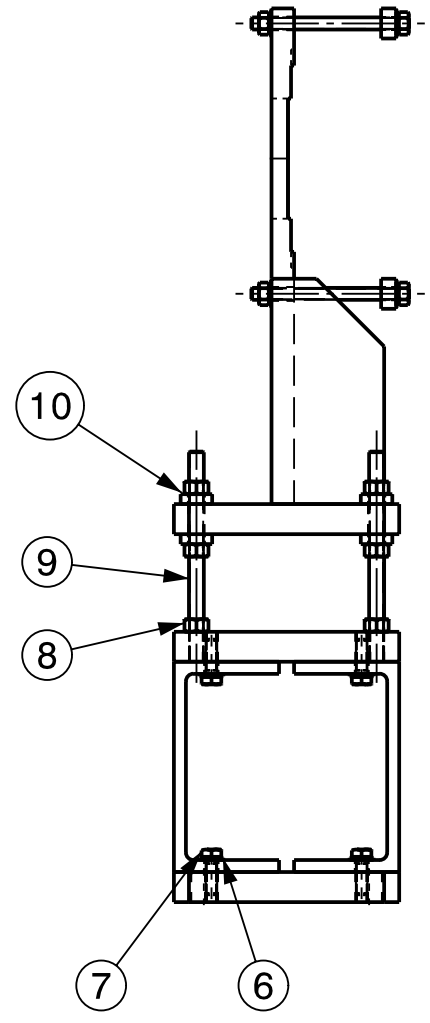
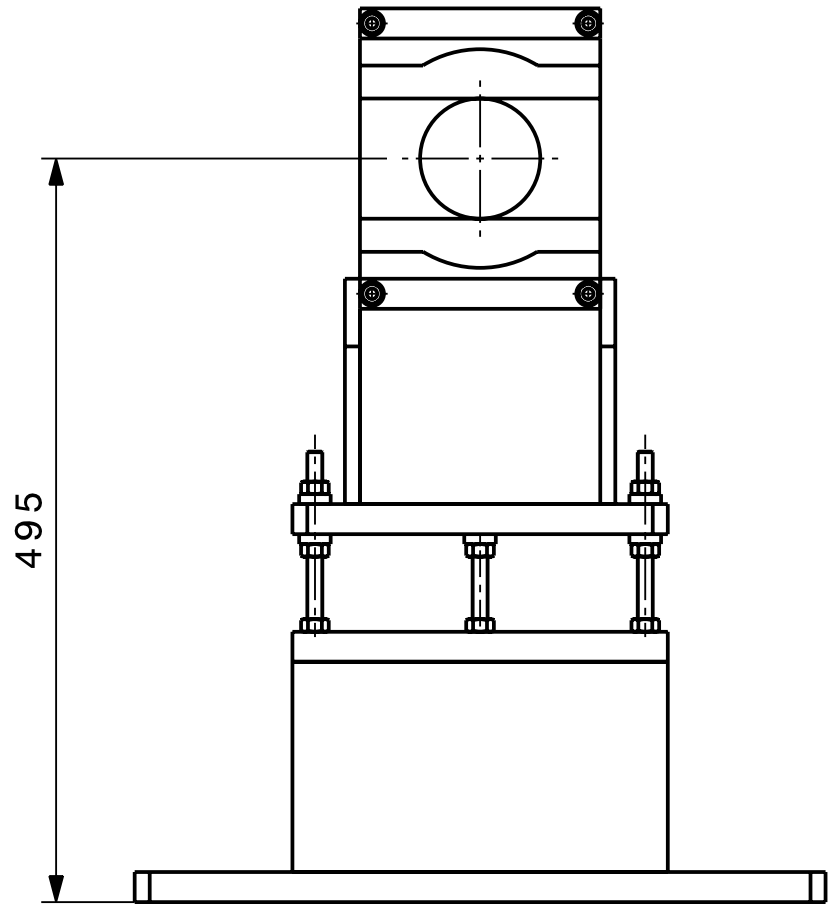


DESSIN, RUGOSITE, TOLERANCES
SELON NORMES ISO
DRAWING, RUGOSITY, TOLERANCES
ACCORDING TO ISO STANDARDS



ORGANISATION EUROPEENNE POUR
LA RECHERCHE NUCLEAIRE
EUROPEAN ORGANIZATION FOR NUCLEAR RESEARCH
GENEVE

Ce dessin ne peut être utilisé à des fins commerciales sans autorisation écrite.
This drawing may not be used for commercial purposes without written authorisation



QUANT.	DESCRIPTION	POS	MAT.	OBSERVATIONS	REF. CERN
6	SPHERICAL WASHER M10	10	STEEL		47.78.12
	RONDELLE SPHERIQUE M10		ACIER		810.2
6	THREADED ROD - M10	9	STAINLESS STEEL A4	L=140	47.38.77
	TIGE FILETEE - M10				100.3
9	HEXAGONAL NUT 0.8d M10	8	STAIN. STEEL A4-70		47.43.77
					100.6
12	HEXAGON screw M8 x 25	7	St. Steel 18.12		47.62.82
	VIS HEXAGONALE M8 x 25		Ac. Inox 18.12		310.5
12	PLAIN WASHER M8	6	ST. STEEL		47.78.15
	RONDELLE M8		AC. INOX		008.8
2	SECTOR VALVE ASSEMBLY - FLAT BAR	5		CTFVSV__0019	
	ENSEMBLE VANNE DE SECTEUR - MEPLAT				
1	SUPPORT ASSEMBLY - LOWER PLATE	4		CTFVSV__0049	
	ENSEMBLE SUPPORT - PLAQUE INFERIEURE				
2	INTERMEDIATE SUPPORT H=180MM - "U" CHANNEL SECTION	3		CTFVSV__0036	
	SUPPORT INTERMEDIAIRE H=180MM - "U" PROFILE				
1	INTERMEDIATE SUPPORT H=120MM - UPPER TABLE	2		CTFVSV__0023	
	SUPPORT INTERMEDIAIRE H=120MM - TABLE SUPERIEURE				
1	VALVE ASSEMBLY - SUPPORT	1		CTFVSV__0050	
	ENSEMBLE VANNE - SUPPORT				
	ENS/ASS	CTFVSV__0051	S.ENS/S.ASS		

CTF3 VACUUM SECTOR VALVE		ECHELLE SCALE 1:2	DES/DRA.	B. FAVRAT	2007-05-09
VALVE ASSEMBLY SUPPORT ASSEMBLY ENSEMBLE VANNE ENSEMBLE SUPPORT			CONTROLLED		
		RELEASED			
		APPROVED			
			CTF\VSV_0\CTFVSV__0048		
			REPLACE/REPLACES		
CERN	NON VALABLE POUR EXECUTION NOT VALID FOR EXECUTION	QAC	CTFVSV__0048		SIZE IND.
		-	3		

7 6 5 4 3 2 1